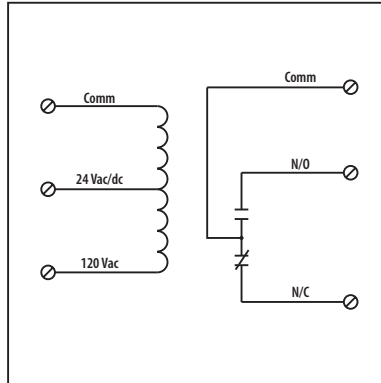




20 Amp Power Control Relays

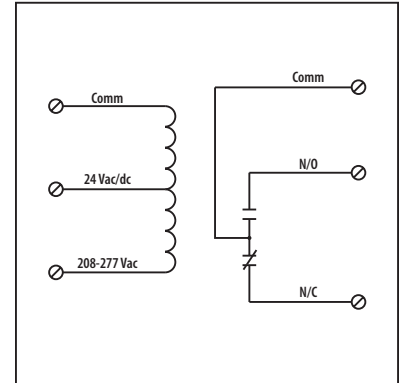
RIBM2401B

4.00" Track Mount Relay 20 Amp SPDT with
 24 Vac/dc/120 Vac Coil



RIBM2402B

4.00" Track Mount Relay 20 Amp SPDT with
 24 Vac/dc/208-277 Vac Coil



SPECIFICATIONS

Relays & Contact Type: One (1) SPDT Continuous Duty Coil
Expected Relay Life: 10 million cycles minimum mechanical
Operating Temperature: -30 to 140° F
Operate Time: 18mS
Relay Status: LED On = Activated
Dimensions: 1.250" x 4.000" x 1.750"
Track Mount: 4.000"; See MT4 Series on page 134
MT4 Mounting Track Sold Separately
Approvals: UL Listed, UL916, UL864, C-UL
 California State Fire Marshal, CE, RoHS
Gold Flash: No
Override Switch: No

Contact Ratings:
 20 Amp Resistive @ 277 Vac
 20 Amp Ballast N/O @ 277 Vac
 10 Amp Ballast N/C @ 277 Vac
 10 Amp Tungsten N/O @ 120 Vac
 1110 VA Pilot Duty @ 277 Vac
 770 VA Pilot Duty @ 120 Vac
 2 HP @ 277 Vac
 1 HP @ 120 Vac

Coil Current:
 50 mA @ 18 Vac
 83 mA @ 24 Vac
 47 mA @ 120 Vac (RIBM2401B)
 69 mA @ 208-277 Vac (RIBM2402B)
 33 mA @ 22 Vdc
 35 mA @ 24 Vdc
 47 mA @ 30 Vdc

Coil Voltage Input:
 24 Vac/dc ; 120 Vac ; 50-60 Hz (RIBM2401B)
 24 Vac/dc ; 208-277 Vac ; 50-60 Hz (RIBM2402B)
 Drop Out = 2.1 Vac / 3.8 Vdc
 Pull In = 18 Vac / 22 Vdc

Notes