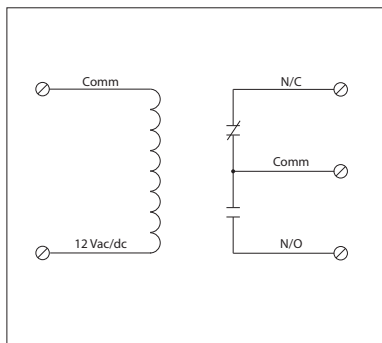


15 AMP TRACK MOUNT CONTROL RELAYS

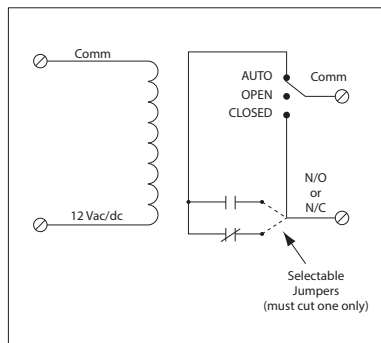
RIBM12C

4.00" Track Mount Relay 15 Amp SPDT with 12 Vac/dc Coil



RIBM12S

4.00" Track Mount Relay 15 Amp SPST + Override with 12 Vac/dc Coil



RELAYS

SPECIFICATIONS

- # Relays & Contact Type:** One (1) SPDT Continuous Duty Coil (RIBM12C)
One (1) SPST Continuous Duty Coil (RIBM12S)
- Expected Relay Life:** 10 million cycles minimum mechanical
- Operating Temperature:** -30 to 140° F
- Humidity Range:** 5 to 95% (noncondensing)
- Operate Time:** 6ms
- Relay Status:** LED On = Activated
- Dimensions:** 1.250" x 4.000" x 1.750"
- Track Mount:** 4.000", See MT4 Series on page 152
MT4 Mounting Track Sold Separately
- Approvals:** UL Listed, UL916, UL864, C-UL
California State Fire Marshal, CE, RoHS
- Gold Flash:** No
- Override Switch:** No (RIBM12C)
Yes (RIBM12S)

- Contact Ratings:**
15 Amp General Use @ 125 Vac
10 Amp General Use @ 277 Vac
10 Amp Resistive @ 30 Vdc (N/O)
7 Amp Resistive @ 30 Vdc (N/C)
1/2 HP @ 125 Vac
1 HP @ 250 Vac
1/4 HP @ 277 Vac
C300 Pilot Duty

- Coil Current:**
53 mA @ 10 Vac
62 mA @ 12 Vac
29 mA @ 11 Vdc
36 mA @ 12 Vdc

- Coil Voltage Input:**
12 Vac/dc ; 50-60 Hz
Drop Out = 2 Vac / 2.5 Vdc
Pull In = 9 Vac / 11 Vdc

- Notes:**
• Must cut appropriate jumper to select Normally Open or Normally Closed (RIBM12S)