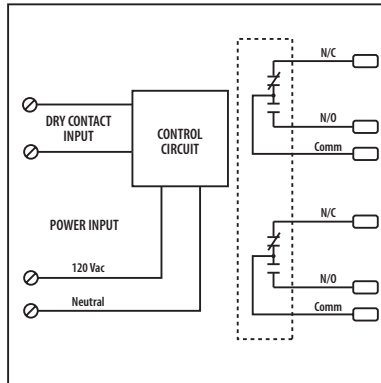


Dry Contact Relays

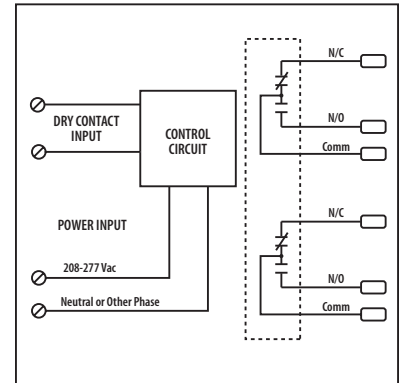
RIBM01ZND

4.00" Track Mount Relay 30 Amp DPDT, Class 2
 Dry Contact Input, **120 Vac Power**



RIBM02ZND

4.00" Track Mount Relay 30 Amp DPDT, Class 2
 Dry Contact Input, **208-277 Vac Power**



■ SPECIFICATIONS

Relays & Contact Type: One (1) DPDT Continuous Duty Coil
 Expected Relay Life: 10 million cycles minimum mechanical
 Operating Temperature: -30 to 140° F
 Relay Status: Red LED On = Activated
 Power Status: Green LED On = Activated
 Dimensions: 2.875" x 4.000" x 1.750"
 Track Mount: 4.000"; See MT4 Series on page 134
 MT4 Mounting Track Sold Separately
 Approvals: UL Component Recognized, UL916
 C-UL, CE, RoHS
 Gold Flash: Yes
 Override Switch: No

Contact Ratings:
 30 Amp Resistive @ 300 Vac
 25 Amp Resistive @ 28 Vdc
 15 Amp Resistive @ 600 Vac
 3 HP @ 480-600 Vac
 2 HP @ 240/277 Vac
 1 HP @ 120 Vac
 20 Amp Ballast @ 277-480 Vac
 770 VA @ 120 Vac
 1158 VA @ 240 Vac
 1109 VA @ 277 Vac
 1640 VA @ 480 Vac
 NEMA B600 Pilot Duty

Power Input:
 95 mA @ 120 Vac (RIBM01ZND)
 95 mA @ 208-277 Vac (RIBM02ZND)

Notes:
 » Dry Contact Input Operation:
 Close White/Red wire to White/Blue wire to activate relay.

Notes