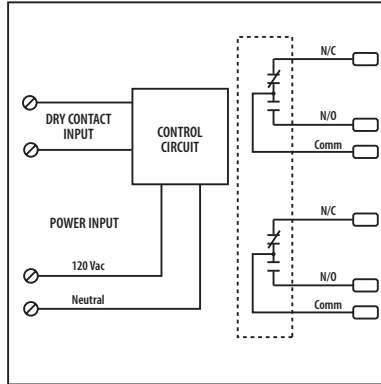


Dry Contact Relays

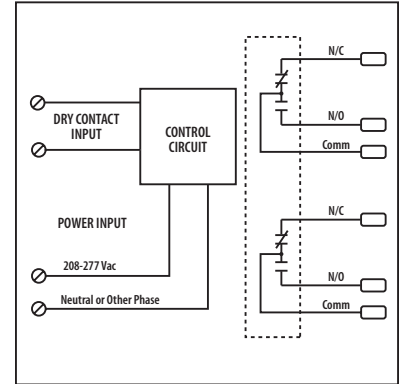
RIBM01ZND

4.00" Track Mount Relay 30 Amp DPDT, Class 2
 Dry Contact Input, **120 Vac Power**



RIBM02ZND

4.00" Track Mount Relay 30 Amp DPDT, Class 2
 Dry Contact Input, **208-277 Vac Power**



SPECIFICATIONS

- # Relays & Contact Type: One (1) DPDT Continuous Duty Coil
- Expected Relay Life: 10 million cycles minimum mechanical
- Operating Temperature: -30 to 140° F
- Relay Status: Red LED On = Activated
- Power Status: Green LED On = Activated
- Dimensions: 2.875" x 4.000" x 1.750"
- Track Mount: 4.000"; See MT4 Series on page 134
MT4 Mounting Track Sold Separately
- Approvals: UL Component Recognized, UL916
 C-UL, CE, RoHS
- Gold Flash: Yes
- Override Switch: No

- Contact Ratings:**
- 30 Amp Resistive @ 300 Vac
 - 25 Amp Resistive @ 28 Vdc
 - 15 Amp Resistive @ 600 Vac
 - 3 HP @ 480-600 Vac
 - 2 HP @ 240/277 Vac
 - 1 HP @ 120 Vac
 - 20 Amp Ballast @ 277-480 Vac
 - 770 VA @ 120 Vac
 - 1158 VA @ 240 Vac
 - 1109 VA @ 277 Vac
 - 1640 VA @ 480 Vac
 - NEMA B600 Pilot Duty

- Power Input:**
- 95 mA @ 120 Vac (RIBM01ZND)
 - 95 mA @ 208-277 Vac (RIBM02ZND)

- Notes:**
- » Dry Contact Input Operation:
 Close White/Red wire to White/Blue wire to activate relay.

Notes