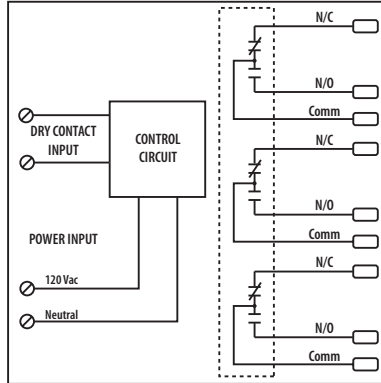




## Dry Contact Relay

### RIBM013PNDC

4.00" Track Mount Relay 30 Amp 3PDT, Class 2  
 Dry Contact Input, 120 Vac Power



#### ■ SPECIFICATIONS

**# Relays & Contact Type:** One (1) 3PDT Continuous Duty Coil  
**Expected Relay Life:** 10 million cycles minimum mechanical  
**Operating Temperature:** -30 to 140° F  
**Relay Status:** Red LED On = Activated  
**Power Status:** Green LED On = Activated  
**Dimensions:** 2.875" x 4.000" x 1.750"  
**Track Mount:** 4.000"; See MT4 Series on page 134  
**MT4 Mounting Track Sold Separately**  
**Approvals:** UL Component Recognized, UL916  
 C-UL, CE, RoHS  
**Gold Flash:** No  
**Override Switch:** No

**Contact Ratings:**  
 30 Amp Resistive @ 300 Vac  
 30 Amp Resistive @ 28 Vdc  
 15 Amp Resistive @ 600 Vac  
 7.5 HP @ 480 Vac, 3 Phase  
 5 HP @ 240 Vac, 3 Phase  
 3 HP @ 480-600 Vac, 1 Phase  
 2 HP @ 240/277 Vac, 1 Phase  
 1 HP @ 120 Vac, 1Phase  
 20 Amp Ballast @ 277-480 Vac  
**Heavy Pilot Duty**  
 770 VA @ 120 Vac, 1 Phase  
 1158 VA @ 240 Vac, 1 Phase  
 1109 VA @ 277 Vac, 1 Phase  
 1640 VA @ 480 Vac, 1 Phase  
 1466 VA @ 240 Vac, 3 Phase  
 2122 VA @ 480 Vac, 3 Phase

**Power Input:**  
 95 mA @ 120 Vac

**Notes:**  
 » Dry Contact Input Operation:  
 Close White/Red wire to White/Blue wire to activate relay.

#### Notes