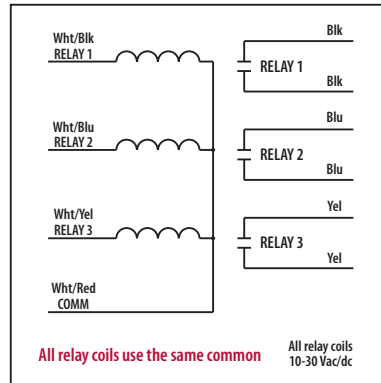




10 Amp Pilot Control Relays

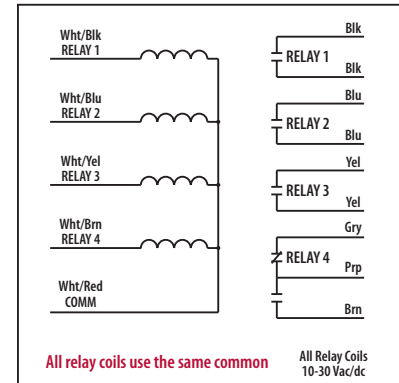
RIBL3C

Enclosed Relays 10 Amp **3 SPST-N/O** with 10-30 Vac/dc Coil



RIBL4C

Enclosed Relays 10 Amp **3 SPST-N/O + 1 SPDT** with 10-30 Vac/dc Coil



■ SPECIFICATIONS

Relays & Contact Type: Three (3) SPST Continuous Duty Coil (RIBL3C)
 Three (3) SPST + One (1) SPDT Continuous Duty Coil (RIBL4C)
Expected Relay Life: 10 million cycles minimum mechanical
Operating Temperature: -30 to 140° F
Operate Time: 20mS
Relay Status: LED On = Activated
Dimensions: 4.00" x 4.00" x 1.80" with .50" NPT nipple
Wires: 16", 600V Rated
Approvals: UL Listed, UL916, UL864, C-UL
 California State Fire Marshal, CE, RoHS
Housing Rating: Plenum, NEMA 1
Gold Flash: Yes
Override Switch: No

Contact Ratings:
 10 Amp Resistive @ 277 Vac
 10 Amp Resistive @ 28 Vdc
 480 VA Pilot Duty @ 240-277 Vac
 480 VA Ballast @ 277 Vac
 600 Watt Tungsten @ 120 Vac N/O
 240 Watt Tungsten @ 120 Vac N/C
 1/3 HP for N/O @ 120-240 Vac
 1/6 HP for N/C @ 120-240 Vac
 1/4 HP for N/O @ 277 Vac
 1/8 HP for N/C @ 277 Vac

Coil Current:
 33 mA @ 10 Vac 13 mA @ 10 Vdc
 35 mA @ 12 Vac 15 mA @ 12 Vdc
 46 mA @ 24 Vac 18 mA @ 24 Vdc
 55 mA @ 30 Vac 20 mA @ 30 Vdc

Coil Voltage Input:
 10-30 Vac/dc ; 50-60 Hz
 Drop Out = 2.1 Vac / 2.8 Vdc
 Pull In = 9 Vac / 10 Vdc

Notes:
 » Order Normally Closed by adding "-NC" to end of model number

Notes