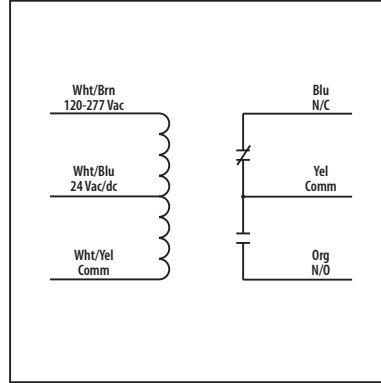




Time Delay Relay

RIBD2421C

Enclosed Time Delay Relay 10 Amp SPDT with 24 Vac/dc/120-277 Vac Coil



SPECIFICATIONS

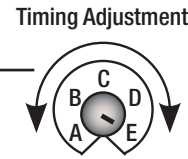
- # Relays & Contact Type: One (1) SPDT Continuous Duty Coil
- Expected Relay Life: 10 million cycles minimum mechanical
- Operating Temperature: -30 to 140° F
- Operate Time: 6mS after time delay
- Relay Status: RED LED On = Activated
- Time Delay Status: PINK LED FLASHING = Timing
- Timing Mode: Delay On Make (N/O)
- Timing Range: 6 seconds - 20 minutes
- Timing Adjustment: 4 position DIP switch for range selection and single turn potentiometer for timing adjustment within range
- Timing Tolerance: Switches 1 & 2 = ±10%
Switches 3 & 4 = ±5%
- Timing Repeatability: ±1%
- Temperature Timing Variance: ±1%
- Voltage Timing Variance: ±1%
- Recycle Time: 750ms Maximum
- Dimensions: 4.00" x 4.00" x 1.80" with .50" NPT nipple
- Wires: 16", 600V Rated
- Approvals: UL Listed, UL916, UL864, C-UL California State Fire Marshal, CE, RoHS
- Housing Rating: Plenum, NEMA 1
- Gold Flash: No
- Override Switch: No

Contact Ratings:
10 Amp General Use @ 277 Vac
10 Amp Resistive @ 30 Vdc N/O
7 Amp Resistive @ 30 Vdc N/C
1/2 HP @ 125 Vac
1 HP @ 250 Vac
1/4 HP @ 277 Vac
C300 Pilot Duty

Input Current:
110 mA @ 24 Vac
33 mA @ 24 Vdc
61 mA @ 120-277 Vac

Coil Voltage Input:
24 Vac/dc ; 120-277 Vac ; 50-60 Hz
Drop Out = 3 Vac / 3.8 Vdc
Pull In = 20 Vac / 20 Vdc

Notes:
» Order with terminals for coil voltage input by using model number RIBTD2421C



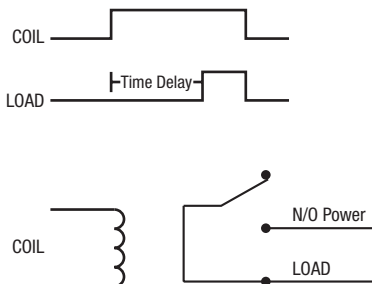
Range Selection



Close Only 1 Switch

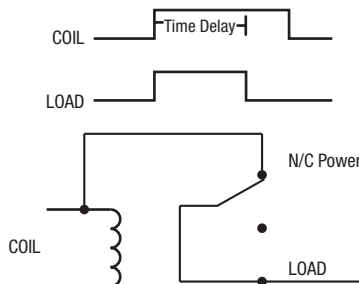
SWITCH RANGES		TIMING CHART				
SWITCH RANGES	CLOSE DIP SWITCH	POTENTIOMETER SETTING				
		A	B	C	D	E
6s-20s	1	6s	9s	13s	16s	20s
22s-1min15s	2	22s	36s	50s	1min4s	1min15s
1min30s-5min	3	1min30s	2min10s	3min20s	4min16s	5min
6min-20min	4	6min	9min	13min20s	17min20s	20min

DELAY ON MAKE (N/O)



APPLICATION FOR INTERVAL (N/C)

Note: Load Power + Coil Input must use same voltage source



APPLICATION FOR DELAY ON BREAK (N/C)

(See Time Delay application in Application Manual on website.)

