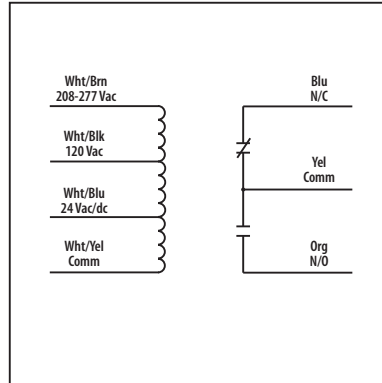




## 20 Amp Power Control Relays

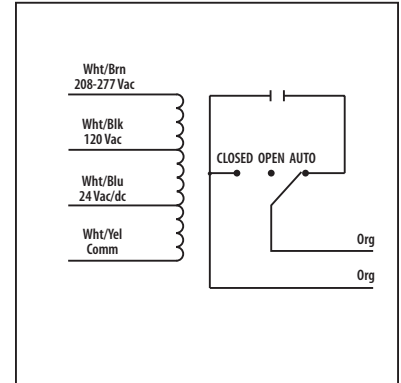
### RIB2421B

Enclosed Relay 20 Amp **SPDT** with  
 24 Vac/dc/208-277 Vac/120 Vac Coil



### RIB2421SB

Enclosed Relay 20 Amp **SPST-N/O + Override** with  
 24 Vac/dc/208-277 Vac/120 Vac Coil



## Great Service Truck Relays

■ One relay covers most applications

### ■ SPECIFICATIONS

**# Relays & Contact Type:** One (1) SPDT Continuous Duty Coil (RIB2421B)  
 One (1) SPST Continuous Duty Coil (RIB2421SB)  
**Expected Relay Life:** 10 million cycles minimum mechanical  
**Operating Temperature:** -30 to 140° F  
**Operate Time:** 18ms  
**Relay Status:** LED On = Activated  
**Dimensions:** 2.30" x 3.20" x 1.80" with .50" NPT Nipple  
**Wires:** 16", 600V Rated  
**Approvals:** UL Listed, UL916, UL864, C-UL  
 California State Fire Marshal, CE, RoHS  
**Housing Rating:** Plenum, NEMA 1  
**Gold Flash:** No  
**Override Switch:** No (RIB2421B)  
 Yes (RIB2421SB)

**Contact Ratings:**  
 20 Amp Resistive @ 277 Vac  
 5 Amp Resistive @ 480 Vac (RIB2421B)  
 20 Amp Ballast N/O @ 277 Vac  
 10 Amp Ballast N/C @ 277 Vac  
 10 Amp Tungsten N/O @ 120 Vac  
 770 VA Pilot Duty @ 120 Vac  
 1,110 VA Pilot Duty @ 277 Vac  
 2 HP @ 277 Vac  
 1 HP @ 120 Vac

**Coil Current:**  
 83 mA @ 24 Vac  
 47 mA @ 120 Vac  
 69 mA @ 208-277 Vac  
 47 mA @ 30 Vdc

**Coil Voltage Input:**  
 24 Vac/dc ; 208-277 Vac ; 120 Vac ;  
 50-60 Hz  
 Drop Out = 2.1 Vac / 3.8 Vdc  
 Pull In = 18 Vac / 22 Vdc

**Notes:**  
 » Order Normally Closed by adding "-NC" to end of model number (RIB2421SB)  
 » Order with Momentary Override Switch by adding "-MNO" to end of model number (RIB2421SB)

## Notes