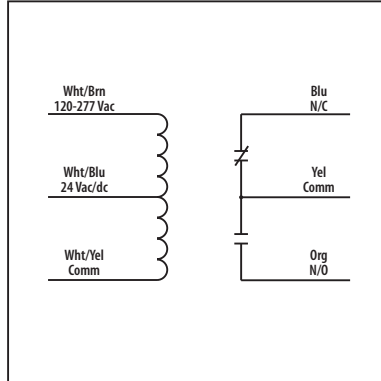




10 Amp Pilot Control Relay

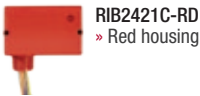
RIB2421C

Enclosed Relay 10 Amp SPDT with 24 Vac/dc/
 120-277 Vac Coil



**Great Service
 Truck Relay**

- One relay covers most applications



SPECIFICATIONS

- # Relays & Contact Type: One (1) SPDT Continuous Duty Coil
- Expected Relay Life: 10 million cycles minimum mechanical
- Operating Temperature: -30 to 140° F
- Operate Time: 20mS
- Relay Status: LED On = Activated
- Dimensions: 1.70" x 2.80" x 1.50" with .50" NPT nipple
- Wires: 16", 600V Rated
- Approvals: UL Listed, UL916, UL864, C-UL
 California State Fire Marshal, CE, RoHS
- Housing Rating: Plenum, NEMA 1
- Gold Flash: No
- Override Switch: No

- Contact Ratings:**
- 10 Amp General Use @ 277 Vac
- 10 Amp Resistive @ 30 Vdc N/O
- 7 Amp Resistive @ 30 Vdc N/C
- 1/2 HP @ 125 Vac
- 1 HP @ 250 Vac
- 1/4 HP @ 277 Vac
- C300 Pilot Duty

- Coil Current:**
- 110 mA @ 24 Vac
- 33 mA @ 24 Vdc
- 61 mA @ 120-277 Vac

- Coil Voltage Input:**
- 24 Vac/dc ; 120-277 Vac ; 50-60 Hz
- Drop Out = 3 Vac / 3.8 Vdc
- Pull In = 20 Vac / 20 Vdc

Notes