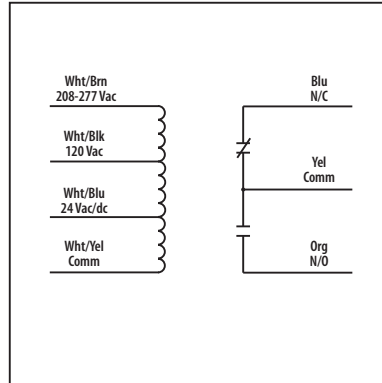




20 Amp Power Control Relays

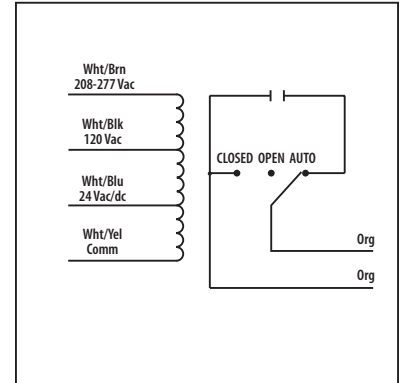
RIB2421B

Enclosed Relay 20 Amp **SPDT** with
 24 Vac/dc/208-277 Vac/120 Vac Coil



RIB2421SB

Enclosed Relay 20 Amp **SPST-N/O + Override** with
 24 Vac/dc/208-277 Vac/120 Vac Coil



Great Service Truck Relays

■ One relay covers most applications

■ SPECIFICATIONS

Relays & Contact Type: One (1) SPDT Continuous Duty Coil (RIB2421B)
 One (1) SPST Continuous Duty Coil (RIB2421SB)
Expected Relay Life: 10 million cycles minimum mechanical
Operating Temperature: -30 to 140° F
Operate Time: 18ms
Relay Status: LED On = Activated
Dimensions: 2.30" x 3.20" x 1.80" with .50" NPT Nipple
Wires: 16", 600V Rated
Approvals: UL Listed, UL916, UL864, C-UL
 California State Fire Marshal, CE, RoHS
Housing Rating: Plenum, NEMA 1
Gold Flash: No
Override Switch: No (RIB2421B)
 Yes (RIB2421SB)

Contact Ratings:
 20 Amp Resistive @ 277 Vac
 5 Amp Resistive @ 480 Vac (RIB2421B)
 20 Amp Ballast N/O @ 277 Vac
 10 Amp Ballast N/C @ 277 Vac
 10 Amp Tungsten N/O @ 120 Vac
 770 VA Pilot Duty @ 120 Vac
 1,110 VA Pilot Duty @ 277 Vac
 2 HP @ 277 Vac
 1 HP @ 120 Vac

Coil Current:
 83 mA @ 24 Vac
 47 mA @ 120 Vac
 69 mA @ 208-277 Vac
 47 mA @ 30 Vdc

Coil Voltage Input:
 24 Vac/dc ; 208-277 Vac ; 120 Vac ;
 50-60 Hz
 Drop Out = 2.1 Vac / 3.8 Vdc
 Pull In = 18 Vac / 22 Vdc

Notes:

- » Order Normally Closed by adding "-NC" to end of model number (RIB2421SB)
- » Order with Momentary Override Switch by adding "-MNO" to end of model number (RIB2421SB)

Notes