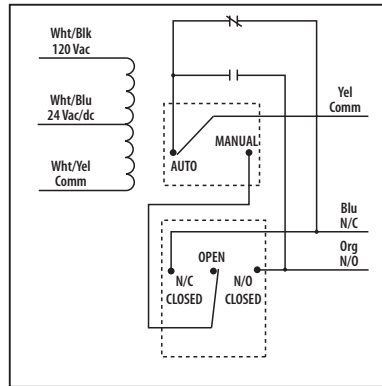




## 20 Amp Power Control Relays

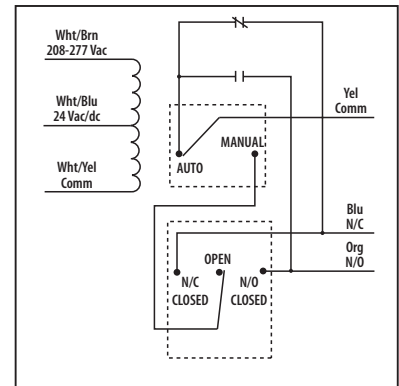
### RIB2401SBC

Enclosed Relay 20 Amp SPDT + Override with  
 24 Vac/dc/120 Vac Coil



### RIB2402SBC

Enclosed Relay 20 Amp SPDT + Override with  
 24 Vac/dc/208-277 Vac Coil



### SPECIFICATIONS

**# Relays & Contact Type:** One (1) SPDT Continuous Duty Coil  
**Expected Relay Life:** 10 million cycles minimum mechanical  
**Operating Temperature:** -30 to 140° F  
**Operate Time:** 18ms  
**Relay Status:** LED On = Activated  
**Dimensions:** 2.30" x 3.20" x 1.80" with .50" NPT Nipple  
**Wires:** 16", 600V Rated  
**Approvals:** UL Listed, UL916, UL864, C-UL  
 California State Fire Marshal, CE, RoHS  
**Housing Rating:** Plenum, NEMA 1  
**Gold Flash:** No  
**Override Switch:** Yes (2)

**Contact Ratings:**  
 20 Amp Resistive @ 277 Vac  
 20 Amp Ballast N/O @ 277 Vac  
 10 Amp Ballast N/C @ 277 Vac  
 10 Amp Tungsten N/O @ 120 Vac  
 770 VA Pilot Duty @ 120 Vac  
 1,110 VA Pilot Duty @ 277 Vac  
 2 HP @ 277 Vac  
 1 HP @ 120 Vac

**Coil Current:**  
 50 mA @ 18 Vac  
 83 mA @ 24 Vac  
 47 mA @ 120 Vac (RIB2401SBC)  
 69 mA @ 208-277 Vac (RIB2402SBC)  
 33 mA @ 22 Vdc  
 35 mA @ 24 Vdc  
 47 mA @ 30 Vdc

**Coil Voltage Input:**  
 24 Vac/dc; 120 Vac; 50-60 Hz (RIB2401SBC)  
 24 Vac/dc; 208-277 Vac; 50-60 Hz (RIB2402SBC)  
 Drop Out = 2.1 Vac / 3.8 Vdc  
 Pull In = 18 Vac / 22 Vdc

### Notes