



Functional Devices, Inc.
 310 South Union Street
 Russiaville, IN 46979
 www.functionaldevices.com

Office: (765) 883-5538
 Sales: (800) 888-5538
 Fax: (765) 883-7505
 Email: sales@functionaldevices.com

Manufacturing quality products in the United States of America since 1969

RIB2402D

Enclosed Relay 10 Amp DPDT with 24 Vac/dc/208-277 Vac



Functional Devices, Inc. A600C 2005



Contact Ratings:

10 Amp Resistive @ 30 Vdc
 10 Amp Resistive @ 277 Vac General Use
 1/2 HP for N/O @ 120/240 Vac
 1/3 HP for N/C @ 120/240 Vac
B300 Pilot Duty
 120 Vac 30A Make 3A Break (360 VA)
 240 Vac 15 A Make 1.5A Break (360 VA)
 208 Vac 17.3A Make 1.73A Break (360 VA)
 277 Vac 13A Make 1.3A Break (360 VA)
 24 Vac 30A Make 5A Break (120VA) 5A Max

Coil Current:

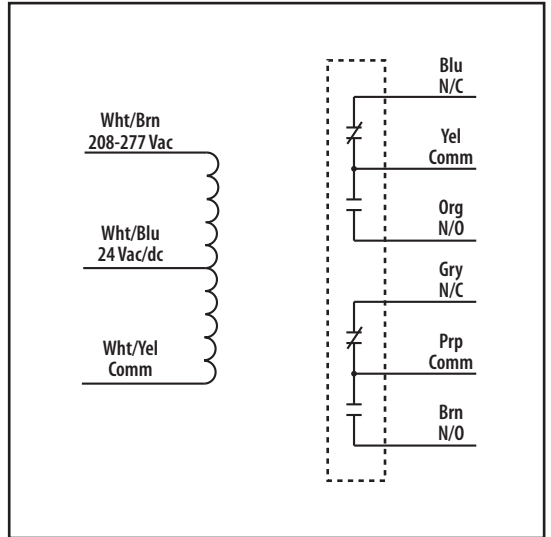
22 mA @ 18 Vac 18 mA @ 20 Vdc
 29 mA @ 24 Vac 22 mA @ 24 Vdc
 36 mA @ 30 Vac 32 mA @ 30 Vdc
 32 mA @ 208-277 Vac

Coil Voltage Input:

24 Vac/dc ; 208-277 Vac ; 50-60 Hz
 Drop Out = 3 Vac / 3.8 Vdc
 Pull In = 18 Vac / 20 Vdc

Notes:

- » Order in NEMA 4X enclosure by adding "-N4" to end of model number
- » Order in red enclosure by adding "-RD" to end of model number



Relays & Contact Type: One (1) DPDT Continuous Duty Coil
Expected Relay Life: 10 million cycles minimum mechanical
Operating Temperature: -30 to 140° F
Operate Time: 8mS
Relay Status: LED On = Activated
Dimensions: 1.70" x 2.80" x 1.50" with .50" NPT nipple
Wires: 16', 600V Rated
Approvals: UL Listed, UL916, UL864, C-UL Canada
 California State Fire Marshal
Housing Rating: Plenum, NEMA 1
Gold Flash: No
Override Switch: No

Notes: