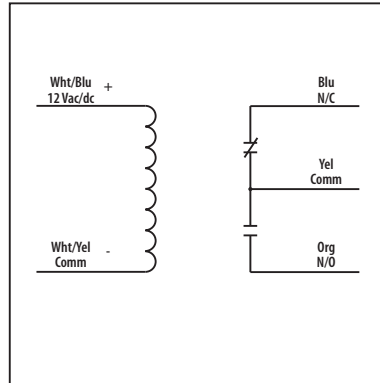


## Fire Alarm Relays

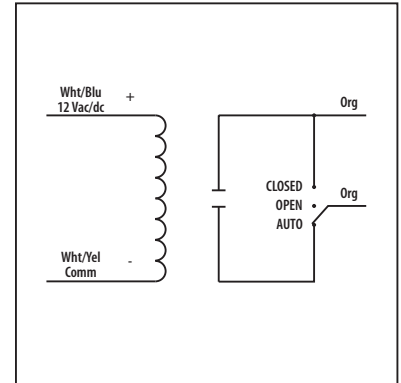
### RIB12C-FA

Enclosed Relay 10 Amp **SPDT**, Polarized with 12 Vac/dc Coil



### RIB12S-FA

Enclosed Relay 10 Amp **SPST-N/O + Override**, Polarized with 12 Vac/dc Coil



### SPECIFICATIONS

**# Relays & Contact Type:** One (1) SPDT Continuous Duty Coil  
**Expected Relay Life:** 10 million cycles minimum mechanical  
**Operating Temperature:** -30 to 140° F  
**Operate Time:** 6mS  
**Relay Status:** LED On = Activated  
**Dimensions:** 1.70" x 2.80" x 1.50" with .50" NPT nipple  
**Wires:** 16", 600V Rated  
**Approvals:** UL Listed, UL916, UL864, C-UL California State Fire Marshal, CE, RoHS  
**Housing Rating:** Plenum, NEMA 1  
**Gold Flash:** No  
**Override Switch:** No (RIB12C-FA) Yes (RIB12S-FA)

**Contact Ratings:**  
 10 Amp General Use @ 277 Vac  
 10 Amp Resistive @ 30 Vdc N/O  
 7 Amp Resistive @ 30 Vdc N/C  
 1/2 HP @ 125 Vac  
 1 HP @ 250 Vac  
 1/4 HP @ 277 Vac  
 470 VA Pilot Duty @ 125 Vac  
 770 VA Pilot Duty @ 250 Vac

**Coil Current:**  
 53 mA @ 10 Vac  
 62 mA @ 12 Vac  
 29 mA @ 11 Vdc  
 36 mA @ 12 Vdc

**Coil Voltage Input:**  
 12 Vac/dc ; 50-60 Hz  
 Drop Out = 2 Vac / 2.5 Vdc  
 Pull In = 9 Vac / 11 Vdc

#### Notes:

- » Order Normally Closed by adding "-NC" to end of model number (RIB12S-FA)
- » Order with Momentary Override Switch by adding "-MNO" to end of model number (RIB12S-FA)

### Notes