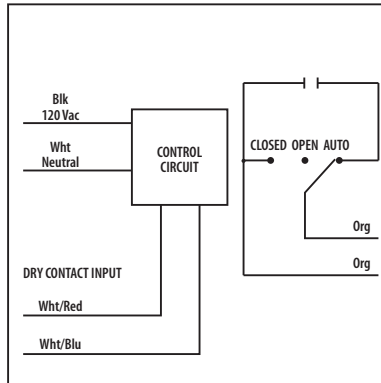




Dry Contact Relays

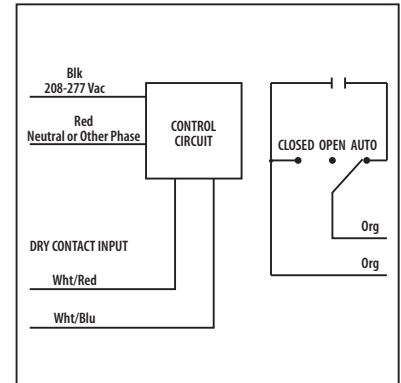
RIB01SBDC

Enclosed Relay 20 Amp SPST-N/O + Override,
 Class 2 Dry Contact Input, **120 Vac Power**



RIB02SBDC

Enclosed Relay 20 Amp SPST-N/O + Override,
 Class 2 Dry Contact Input, **208-277 Vac Power**



■ SPECIFICATIONS

Relays & Contact Type: One (1) SPST Continuous Duty Coil
Expected Relay Life: 10 million cycles minimum mechanical
Operating Temperature: -30 to 140° F
Relay Status: LED On = Activated
Dimensions: 2.30" x 3.20" x 1.80" with .50" NPT Nipple
Wires: 16", 600V Rated
Approvals: UL Listed, UL916, C-UL, CE, RoHS
Housing Rating: Plenum, NEMA 1
Gold Flash: No
Override Switch: Yes

Contact Ratings:
 20 Amp Resistive @ 277 Vac
 1110 VA Pilot Duty @ 277 Vac
 770 VA Pilot Duty @ 120 Vac
 20 Amp Ballast N/O @ 277 Vac
 10 Amp Ballast N/C @ 277 Vac
 10 Amp Tungsten N/O @ 120 Vac
 240 Watt Tungsten N/C @ 120 Vac
 2 HP @ 277 Vac
 1 HP @ 120 Vac

Power Input:
 42 mA @ 120 Vac (RIB01SBDC)
 62 mA @ 208-277 Vac (RIB02SBDC)

Notes:

- » **Dry Contact Input Operation:**
 Close White/Red wire to White/Blue wire to activate relay. If more than one DRY-CONTACT RIB shares a single dry-contact input, White/Blue must be common.
- » Order Normally Closed by adding "-NC" to end of model number
- » Order with Momentary Override Switch by adding "-MNO" to end of model number

Notes