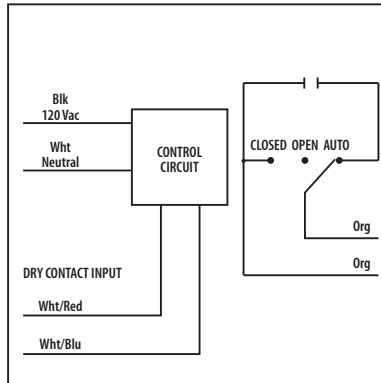




## Dry Contact Relays

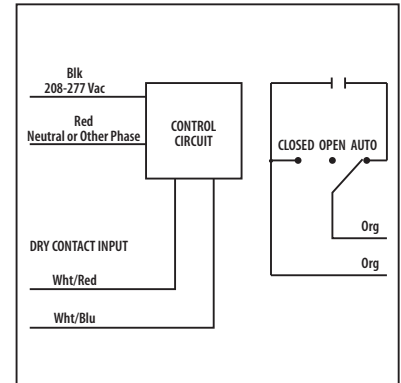
### RIB01SBDC

Enclosed Relay 20 Amp SPST-N/O + Override,  
 Class 2 Dry Contact Input, **120 Vac Power**



### RIB02SBDC

Enclosed Relay 20 Amp SPST-N/O + Override,  
 Class 2 Dry Contact Input, **208-277 Vac Power**



## ■ SPECIFICATIONS

**# Relays & Contact Type:** One (1) SPST Continuous Duty Coil  
**Expected Relay Life:** 10 million cycles minimum mechanical  
**Operating Temperature:** -30 to 140° F  
**Relay Status:** LED On = Activated  
**Dimensions:** 2.30" x 3.20" x 1.80" with .50" NPT Nipple  
**Wires:** 16", 600V Rated  
**Approvals:** UL Listed, UL916, C-UL, CE, RoHS  
**Housing Rating:** Plenum, NEMA 1  
**Gold Flash:** No  
**Override Switch:** Yes

**Contact Ratings:**  
 20 Amp Resistive @ 277 Vac  
 1110 VA Pilot Duty @ 277 Vac  
 770 VA Pilot Duty @ 120 Vac  
 20 Amp Ballast N/O @ 277 Vac  
 10 Amp Ballast N/C @ 277 Vac  
 10 Amp Tungsten N/O @ 120 Vac  
 240 Watt Tungsten N/C @ 120 Vac  
 2 HP @ 277 Vac  
 1 HP @ 120 Vac

**Power Input:**  
 42 mA @ 120 Vac (RIB01SBDC)  
 62 mA @ 208-277 Vac (RIB02SBDC)

**Notes:**  
 » **Dry Contact Input Operation:**  
 Close White/Red wire to White/Blue wire to activate relay. If more than one DRY-CONTACT RIB shares a single dry-contact input, White/Blue must be common.  
 » Order Normally Closed by adding "-NC" to end of model number  
 » Order with Momentary Override Switch by adding "-MNO" to end of model number

## Notes