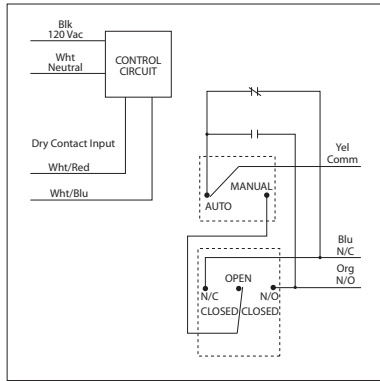


DRY CONTACT INPUT RELAYS

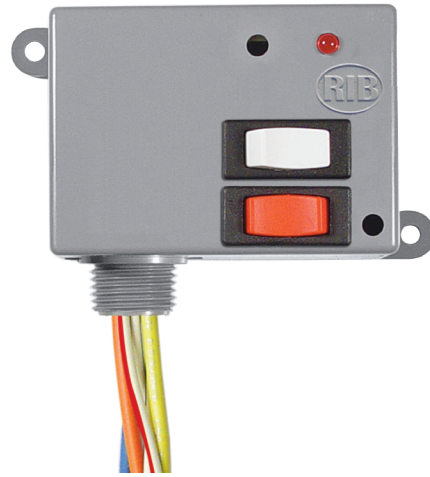
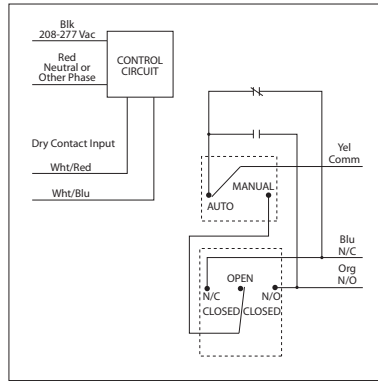
RIB01SBDCD

Enclosed Relay 20 Amp SPDT + Override, Class 2 Dry Contact Input, **120 Vac Power Input**



RIB02SBDCD

Enclosed Relay 20 Amp SPDT + Override, Class 2 Dry Contact Input, **208-277 Vac Power Input**



RELAYS

SPECIFICATIONS

- # Relays & Contact Type: One (1) SPDT Continuous Duty Coil
- Expected Relay Life: 10 million cycles minimum mechanical
- Operating Temperature: -30 to 140° F
- Humidity Range: 5 to 95% (noncondensing)
- Operate Time: 1.8 Seconds
- Relay Status: LED On = Activated
- Dimensions: 2.30" x 3.20" x 1.80" with .50" NPT Nipple
- Wires: 16", 600V Rated
- Approvals: UL Listed, UL916, C-UL, CE, RoHS
- Housing Rating: UL Accepted for Use in Plenum, NEMA 1
- Gold Flash: No
- Override Switch: Yes (2)

- Contact Ratings:
- 20 Amp Resistive @ 277 Vac
- 20 Amp Ballast @ 277 Vac
- Not rated for Electronic Ballast
- 10 Amp Tungsten @ 120 Vac
- 770 VA Pilot Duty @ 120 Vac
- 1,110 VA Pilot Duty @ 277 Vac
- 2 HP @ 277 Vac
- 1 HP @ 120 Vac

- Power Input:
- 42 mA @ 120 Vac (RIB01SBDCD)
- 62 mA @ 208-277 Vac (RIB02SBDCD)

- Notes:
- Dry Contact Input Operation:
Close White/Red wire to White/Blue wire to activate relay. If more than one dry contact RIB® shares a single dry contact input, White/Blue must be common.