



Features & Options

- Easy to Access Field Adjustable Setpoint from 0.1" to 40" WC (20 to 10,000 Pa)
- 5 Amp Silver Contacts, NO and NC
- Built-In Pressure Snubber for More Stable Readings

The BAPI Differential Pressure Switch is ideal for air filter monitoring, static pressure proving, airflow proving or auxiliary fan actuation.

The setpoint is field adjustable from 0.1" to 40" WC (20 to 10,000 Pa), and the unit can measure positive pressure, vacuum or true differential pressure. The six pressure ranges are field selectable by changing a color-coded spring. The spring for the range that you order is preinstalled, and the other five springs are shipped with the unit so that you can change ranges in the field if you choose.

The unit features a rugged plastic enclosure that protects the electrical terminations and pressure adjustment screw which is easily accessed through a port in the front cover using a square screwdriver bit (BA/SQ1BIT). The quick connect wiring terminations are accessed by opening the hinged cover. The unit is very compact and can be mounted directly on a flat surface with the rugged mounting feet.

The unit also features an extremely high proof pressure so that it will continue to function properly even if it is accidentally connected to an unusually high or low pressure.



Differential Pressure Switch



Specifications

Measurement Media:

Air, Combustion Gases

Operating Environment:

-40 to 185°F (-40 to 85°C)
5 to 95% RH non-condensing

Contact Ratings:

5 Amp Resistive, 125 VAC

Proof Pressure:

100" WC (3.6 PSI, 24,900 Pa)

Pressure Ports:

1/4" Barbed Fittings

Switch Type:

SPDT (Silver Contacts)

Repeatability:

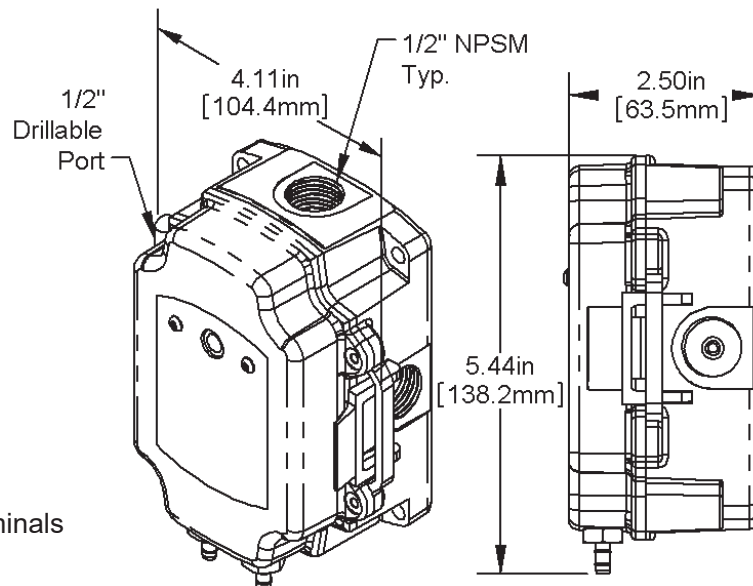
<10% of Setting

Wiring:

1/4" (6.4mm) Quick-Disconnect Terminals

Agency:

RoHS





Ordering Information

| PART #S | DESCRIPTION |
|-------------------------|---|
| BA/SW1A | Differential Pressure Switch, 0.1" to 0.8" WC (20 to 200 Pa) |
| BA/SW2A | Differential Pressure Switch, 0.5" to 1.2" WC (120 to 300 Pa) |
| BA/SW3A | Differential Pressure Switch, 0.7" to 2.2" WC (180 to 550 Pa) |
| BA/SW5A | Differential Pressure Switch, 3.2" to 10.4" WC (800 to 2600 Pa) |
| BA/SW6A | Differential Pressure Switch, 8.8" to 24" WC (2200 to 6000 Pa) |
| BA/SW7A | Differential Pressure Switch, 12" to 40" WC (3000 to 10000 Pa) |
| BA/SQ1BIT: | Square Screwdriver Bit to turn the Pressure Adjustment Screw |

*Net Price - Multipliers do not apply on the Square Screwdriver Bit.



Square
Screwdriver
Bit

Note: If you are using metal tubing, add "-PIB" to the end of the part number so that the High and Low Pressure ports will be located in the base of the unit rather than in the hinged cover.



Wall & Ceiling Pressure Pickup Ports

Wallplates and BAPI-Stat "Quantum" Style units available as pressure pickups alone or as combination pressure pickup and temperature sensor

Room pressure pickup ports are available as a Wall Plate or a BAPI-Stat "Quantum" enclosure, both sized to fit a common 2" x 4" electrical box. A foam gasket seals the plate or enclosure to the wall. These units are available as a pickup alone or with a temperature sensor.

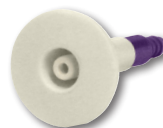
BAPI also offers a Ceiling Mount Square Cover that fits a standard 3/4" (19mm) thick suspended ceiling tile, and a Low Profile Port that is ideal for locations where aesthetics are as important as the pressure measurement. The only visible portion is a flush 7/8" (22mm) dot on the wall.



**BAPI-Stat
"Quantum"
Enclosure**



**Wall
Plate**



**Low Profile
Port**



**Ceiling Mount
Square Cover**

For more info, see pages D12-13

