



UPS Interface Module

PSM2RB10

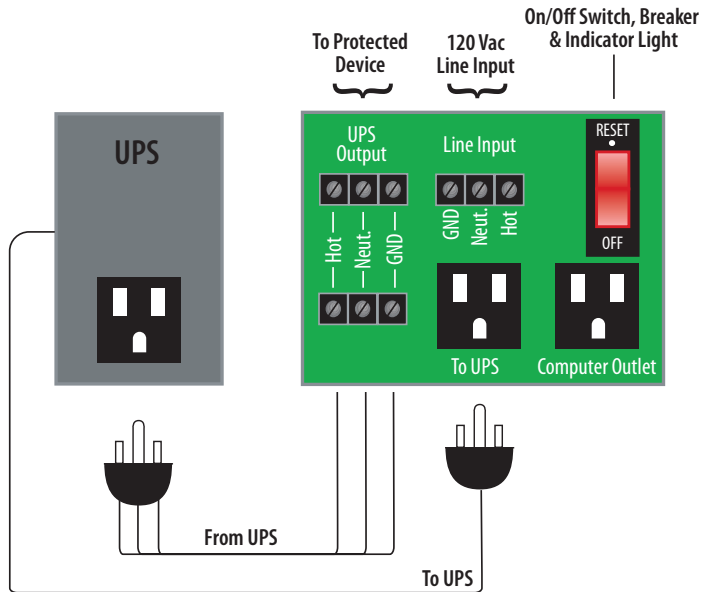
4.00" Track Mount Power Control Center, 10 Amp Switch / Circuit Breaker, 120 Vac, 2 Outlets, Terminals

SPECIFICATIONS

Operating Temperature: -30 to 140° F
 Circuit Breaker: 10 Amp Max.
 Dimensions: 4.000" x 3.250" x 1.750"
 Track Mount: 3.250" x 4.000"
 MT4-4N Mounting Track Included
 Approvals: UL Listed, UL916, C-UL, CE, RoHS

Notes:

- » Circuit breaker for short protection.
- » 14/3 Line Cord included (6').
- » Use with UPS devices rated 1000 VA or less.
- » UPS is not included.



Notes