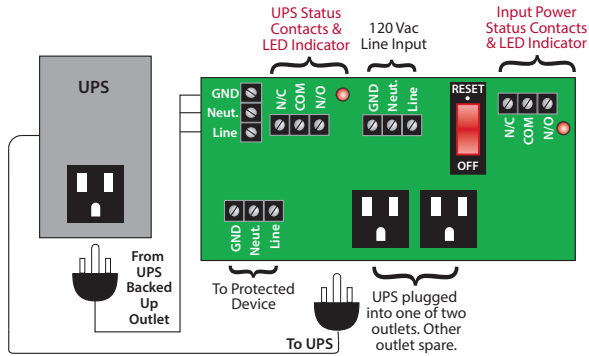


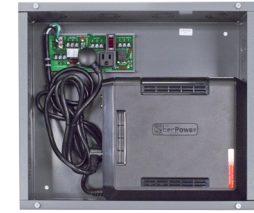
UNINTERRUPTIBLE POWER SUPPLY IN KIT

PSH850-UPS-STAT

Kit Consisting of Enclosed Power Control Center Model PSH2C2RB10-L (10 Amp Switch / Circuit Breaker, Two (2) 120 Vac Outlets, Terminals, 120 Vac Input) with a 850 VA UPS. (Status Contacts)



SINUSOIDAL OUTPUT OR PURE SINE WAVE OUTPUT



Shown Without Cover



Shown With Cover



SPECIFICATIONS

UPS

UPS: 850VA

Backup Time: 2 Min. @ Full 850 VA Load
8 Min. @ 1/2 Load

Input: 120 Vac, 12 Amp

Sine Wave Output: 120 Vac, 7.1 Amp

Max Load: 510 Watt

Frequency: 50/60 Hz

Temperature Rating of UPS: 32 to 95° F

UPS Transfer Time: 10ms

Approvals: UL Listed, UL1778

Weight: 15 lbs.

Model: Cyber Power Model 850PFCLCD

PSH2C2RB10-L

Operating Temperature: -30 to 140° F

Humidity Range: 5 to 95% (noncondensing)

Main Breaker ON/OFF: Switch / Breaker (10 Amp)

Approvals: UL Listed, UL916, C-UL, CE, RoHS

Dimensions: 14.000" x 16.000" x 6.000"
Metal Housing with Screw Cover

Line Input Status Contacts and UPS

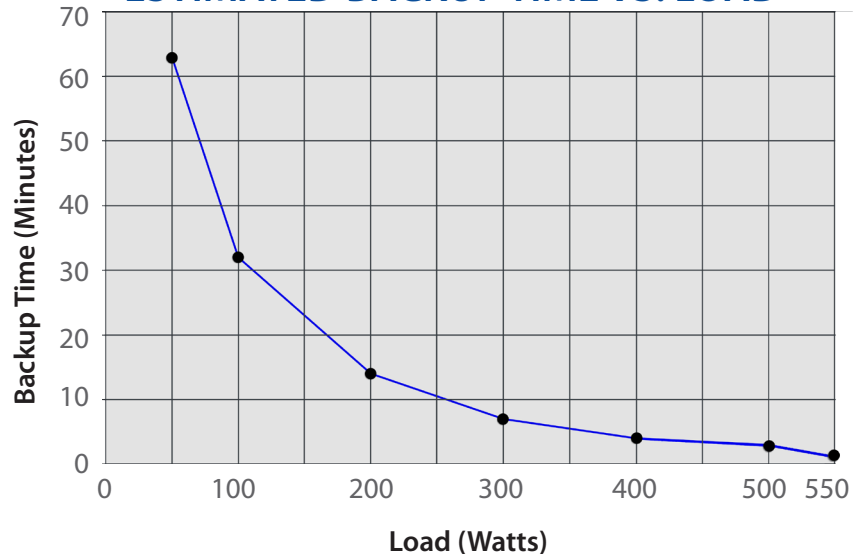
Output Status Contacts:

- 10 Amp @ 277 Vac General Use
- 10 Amp @ 30 Vdc (N/O)
- 7 Amp @ 30 Vdc (N/C)
- 1/2 HP @ 125 Vac
- 1/4 HP @ 277 Vac
- 1000 VA @ 120 Vac Magnetic Ballast (N/C)
- C300 Pilot Duty
- 16.8 VA @ 24 Vac Pilot Duty

Notes:

- To order without UPS, so that any other commercial UPS with appropriate ratings and within housing space limitations may be used, see model PSH2C2RB10-L.
- To order interface board for replacement or for separate use, order model PSMN2C2RB10.
- **Typical battery life: 3-6 years, depending on number of discharge/recharge cycles**

ESTIMATED BACKUP TIME VS. LOAD



POWER CONTROL