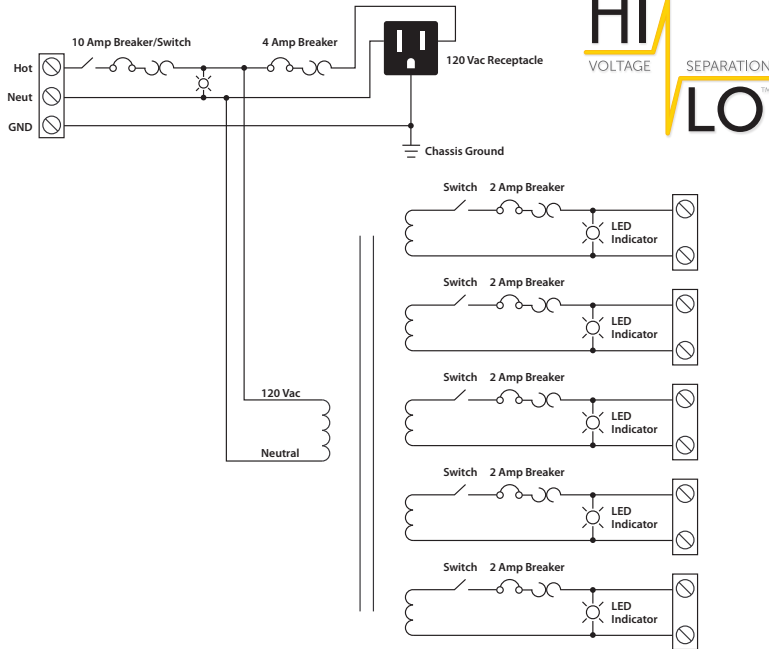


**AC POWER SUPPLY**

**PSH200AB10-LVC**

Enclosed 200VA Power Supply, **High/Low Voltage Separation** with Five 40VA Class 2 Outputs, 120 Vac to 24 Vac with 120 Vac Receptacle



PSH200AB10-LVC  
Shown With High Voltage  
Cover & Low Voltage  
Access Plate



POWER SUPPLIES

**SPECIFICATIONS**

**Transformer:** One (1) 200 VA  
**Over Current Protection:** Circuit Breaker  
**Primary:** 120 Vac  
**Frequency:** 50/60 Hz  
**Main Breaker ON/OFF:** Switch / Breaker (10 Amp)  
 (Kills power to entire unit:  
 1 Outlet & Transformer)  
**Approvals:** Class 2 (UL Approved UL5085-3),  
 UL916, C-UL, CE, RoHS, Special  
 ▲ Seismic Certification of Equipment  
 and Components: OSP-0201-10  
**Dimensions:** 12.125" x 12.125" x 6.000"  
**Housing:** NEMA1 Metal Enclosure with  
 high/low separation  
**Weight:** 20.30 lbs.

**5 Secondaries:**  
 24 Vac, with LED Indicators  
 2 Amp breaker for each output

**24 Vac ON/OFF:**  
 On / Off Switch & Breaker

**Input:**  
 120 Vac Finger-Safe Terminals, 8-18 AWG

**Output:**  
 5 Ungrounded, Isolated, 40 VA Class 2,  
 24 Vac Outputs. Removable Terminals  
 accept 16-22 AWG wire.

**Ambient Temperature Derating:**  
 1.6A up to 40° C ; 1.2A up to 60° C  
 (When All 5 Outputs Operated Simultaneously)

**Standby Wattage:**  
 18.93 W @ 120 Vac

**Full Load Primary Current:**  
 2.57 A @ 120 Vac

**Secondary Output Voltage vs. Load:**  
 24.9 V @ 0.5 Amp  
 24.0 V @ 1.0 Amp  
 23.9 V @ 1.4 Amp  
 23.7 V @ 1.6 Amp

• When all 5 outputs operated  
 simultaneously, at room  
 temperature

**Notes:**  
 ▲ Design is in accordance with ASCE 7-05  
 Chapter 13:  
[www.oshpd.ca.gov/FDD/Pre-Approval/OSP-0201-10.pdf](http://www.oshpd.ca.gov/FDD/Pre-Approval/OSP-0201-10.pdf)  
 • 4A (Breaker protected) Convenience  
 Receptacle Provided