



AC Power Supply

PSC40AB10

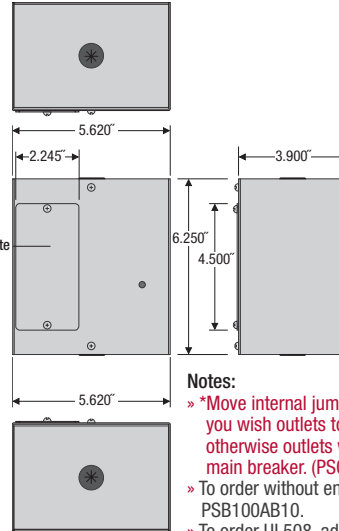
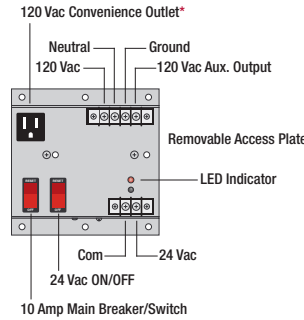
Enclosed Single 40 VA Power Supply,
 120 to 24 Vac

PSC100AB10

Enclosed Single 100 VA Power Supply,
 120 to 24 Vac

SPECIFICATIONS

- Transformer:** One 40 VA Split-Bobbin, Inherently Limited (PSC40AB10)
 One 100 VA Split-Bobbin, Circuit Breaker (PSC100AB10)
- Primary:** 120 Vac
- Secondary:** 24 Vac, w/ LED Indicator
- Frequency:** 50/60 Hz
- 24 Vac ON/OFF:** On / Off Switch
- Main Breaker ON/OFF:** Switch / Breaker (10 Amp)
 (Kills power to entire unit: Outlet (if Present), Aux. Output, and Transformer)**
- Mounting:** Mounting plate included (as shown)
- Approvals:** Class 2 UL Listed, UL916, UL508, C-UL, CE, RoHS
- Dimensions:** 6.250" x 5.620" x 4.250"
- Weight:** 4.40 lbs. (PSC40AB10)
 5.80 lbs. (PSC100AB10)



Notes:

- » *Move internal jumper to "HOT" position if you wish outlets to always be hot otherwise outlets will be switched by main breaker. (PSC40AB10)
- » To order without enclosure, see PSB40AB10 & PSB100AB10.
- » To order UL508, add "-IC" to end of model number.

Notes