



Shown Without Cover



Available with Terminal Cover by adding "-TC" to end of model number

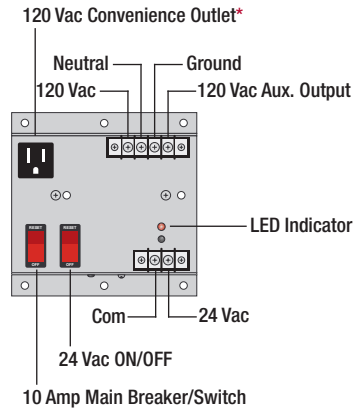
SPECIFICATIONS

- Transformer:** One 40 VA Split-Bobbin
- Primary:** 120 Vac
- Secondary:** 24 Vac, w/ LED Indicator
- Frequency:** 50/60 Hz
- Over Current Protection:** Inherently Limited
- 24 Vac ON/OFF:** On / Off Switch
- Main Breaker ON/OFF:** Switch / Breaker (10 Amp)
 (Kills power to entire unit: Outlet, Aux. Output, and Transformer)**
- Total Combined Output 9A**
- Mounting:** Panel mount
- Approvals:** Class 2 UL Listed, UL916, UL508, C-UL, CE, RoHS
- Dimensions:** 5.200" x 5.250" x 3.750"
- Weight:** 2.18 lbs. (PSB40AB10)
 3.58 lbs. (PSB100AB10)

AC Power Supply

PSB40AB10

Panel Mount 40 VA Power Supply, 120 to 24 Vac

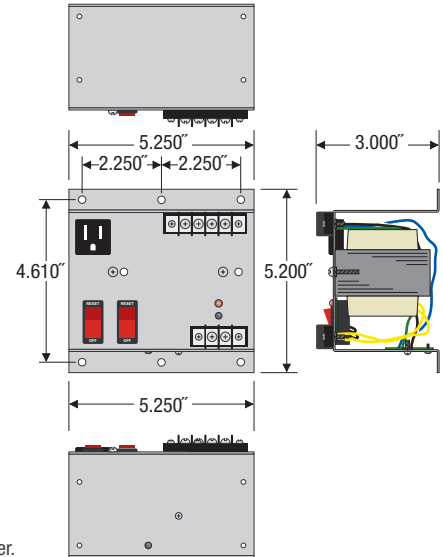


Notes:

- » *Move internal jumper to "HOT" position if you wish outlets to always be hot otherwise outlets will be switched by main breaker.
- » To order UL508, add "-IC" to end of model number.

PSB100AB10

Panel Mount 100 VA Power Supply, 120 to 24 Vac



Notes