

P4 Value Series

P4 Value Dry Pressure

Range: 0.1 to 25" W.C.
 0-5VDC/10VDC or 4-20 mA loop & 3-wire powered versions
 LCD option & LED status indication
 Remote & manual zero function
 PATENT PENDING

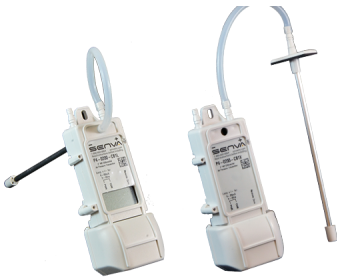


DESCRIPTION

The P4 dry media pressure transmitter features fixed ranges optimized for building (zone) pressure, filter measurement, and static duct applications. Innovative static probe integrates with unit or can be mounted remotely for static pressure. PATENT PENDING.

APPLICATIONS

- Building (zone) pressure
- Filter condition measurement
- Duct/static
- OEM HVAC



Innovative probe transforms for duct or remote applications



High density DIN mounting saves valuable panel space



Conduit ready



Made in USA - 7 year warranty

FEATURES

- Duct, filter, and room pressure with a single unit with RP-6 probe addition
- LCD option for set-up and reference
- Non-position sensitive for easy placement accuracy
- 0-5VDC/10VDC or 4-20 mA loop or 3-wire powered versions
- DIN mount flat or side to conserve panel space
- Conduit cover for 3/8" flex connectors...no extra parts required
- LED: Power heartbeat, auto-zero complete, 110% over pressure; facilitates locating sensor in ductwork

ORDERING

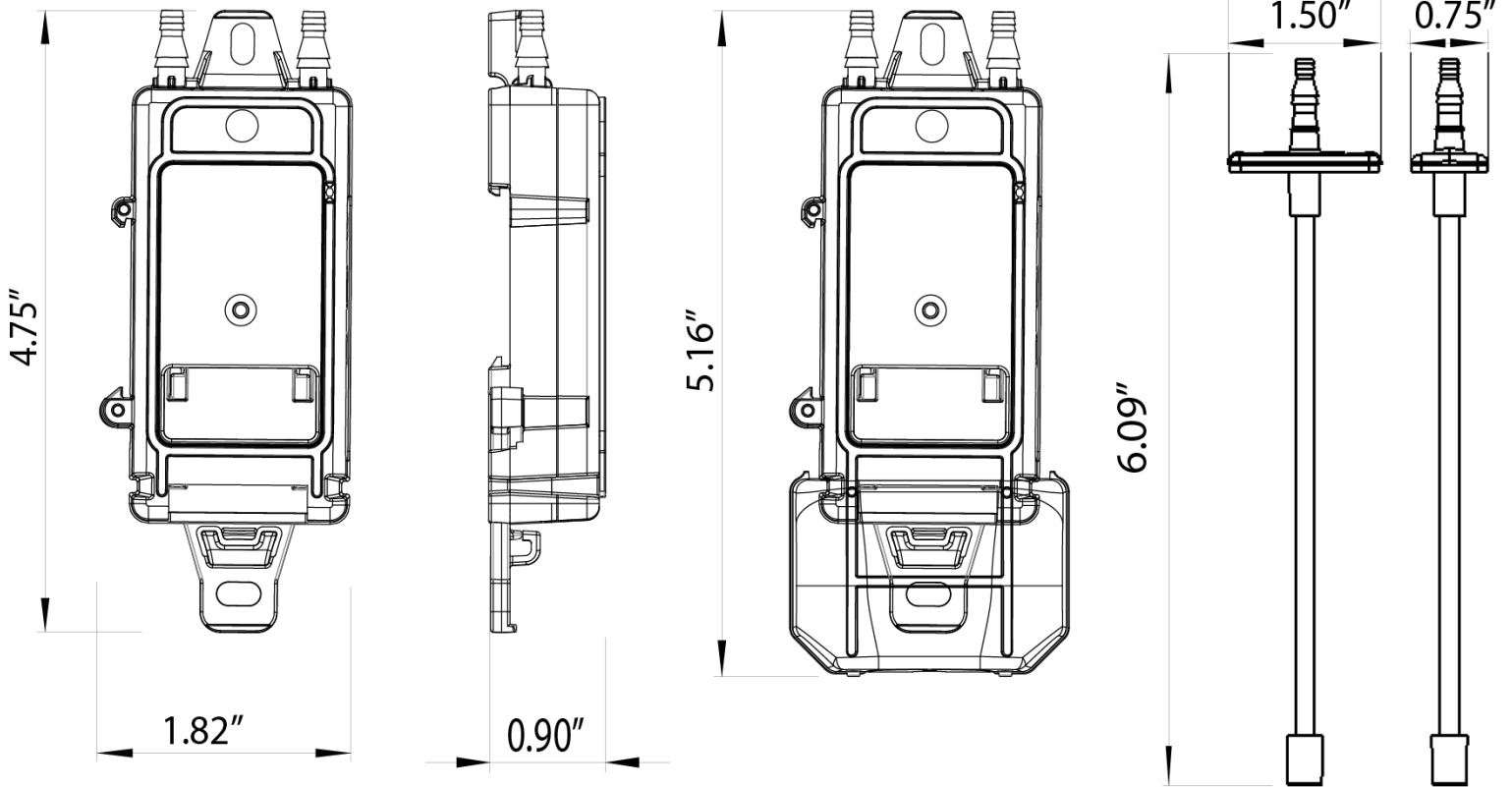
P4	-	<input type="checkbox"/>	-	<input type="checkbox"/>	<input type="checkbox"/>	<input type="checkbox"/>	<input type="checkbox"/>	<input type="checkbox"/>				
		Fixed Range*		Output		Uni or Bi		Accuracy**		Display		Duct Probe
0005 = 0-0.05 "w.c.	0025Pa = 0-25 Pa		A = 0-5VDC, 3-Wire		U = Uni-directional		1 = 1.00% of range		L = LCD		P = Duct Probe	
0010 = 0-0.10 "w.c.	0050Pa = 0-50 Pa		B = 0-10VDC, 3-Wire		B = Bi-directional		2 = 0.25% of range NIST		X = No Display		X = No Probe	
0025 = 0-0.25 "w.c.	0100Pa = 0-100 Pa		C = 4-20mA, 2-wire				5 = 0.50% of range NIST					
0050 = 0-0.50 "w.c.	0300Pa = 0-300 Pa		D = 4-20mA, 3-wire									
0100 = 0-1.0 "w.c.	0500Pa = 0-500 Pa											
0150 = 0-1.5 "w.c.	1000Pa = 0-1000 Pa											
0250 = 0-2.5 "w.c.	1600Pa = 0-1600 Pa											
0300 = 0-3.0 "w.c.	2500Pa = 0-2500 Pa											
0500 = 0-5.0 "w.c.	3000Pa = 0-3000 Pa											
0750 = 0-7.5 "w.c.	5000Pa = 0-5000 Pa											
1000 = 0-10 "w.c.												
1500 = 0-15 "w.c.												
2500 = 0-25 "w.c.												
5000 = 0-50 "w.c.												

Example part number P4-0500-CU2LP is 4-20mA (2-wire), 0.25% accuracy, uni-directional 0-5" WC sensor with LCD display and Duct Probe.

**Other Fixed Ranges Available Upon Request (mmw, etc), Please Consult Factory*

***0.25% accuracies available n 0.5"w.c. and greater, 0.5% accuracy available on 0.1"w.c. and greater (or equivalent Pa ranges)*

DIMENSIONS



Warning: The datasheet is designed for reference only. Refer to installation instructions that accompany the product and heed all safety instructions. Product improvement is a continuing process at Senva. Changes may occur to products without prior notice

SPECIFICATIONS			
Power Supply		12-30VDC/24VAC(1), 30mA max	
Output type	Outputs Available	4-20mA loop powered, 4-20 mA 3-wire, 0-5VDC, 0-10VDC	
Fixed Ranges	Multiple Fixed Ranges (Inches of w.c. and Pascals)	0.1"w.c. up to 25"w.c. models 1250 Pa up to 6250 Pa models	
Operating Temperature	Operating range	-4 to 140F (-20 to 60°C)	
	Compensated range	-4 to 140F (-20 to 60°C)	
Media compatibility		Dry, oil-free air, N2	
Sensor Type		MEMS silicon piezoresistive; precision calibrated	
Sensor Performance	Accuracy 1.00%	±1.00% of range	
	Accuracy 0.25%(2)	±0.25% of range; 7-point NIST calibrated	
	Accuracy 0.50%(2)	±0.50% of range; 7-point NIST calibrated	
	Zero Tolerance	Included in accuracy specification	
	Span Tolerance	±1.00%	
	Zero Drift (1 year)	0.004"WC/year max. 0.4% for units >0.5"w.c.	
	Auto-zero input	Push-button and contact closure	
	Thermal Shift (Zero and Span)	0.02% FSO/°C (0.01%FSO/°F) measured from 22°C (72°F)	
	Overpressure		up to 5" models: 41.5"w.c.; 10" models: 133"w.c.;
			25" models: 332"w.c.
	Max Static Line Pressure	up to 5" models: 41.5"w.c.; 10" models: 133"w.c.; 25" models: 332"w.c.	
	Burst Pressure	up to 5" models: 83"w.c.; 10" models: 166"w.c.; 25" models: 415"w.c.	
	Position Sensitivity	Non-position sensitive	
Agency	Compliance	CE, RoHS	
Enclosure	Flammability	UL94 5VB	
	Environmental	NEMA 1	

* Product improvement is a continual process as Senva and product features and specification may change without prior notice. Refer to instructions that accompany the product for installation and wiring.