

P4 Precision Series

P4 Precision Dry Pressure

Precision calibrated 0.25% and 0.50% accuracy models
 Standard industry leading 7-point NIST certification
 LCD display option
 LED status indication and Zero push button and contact closure
 PATENT PENDING

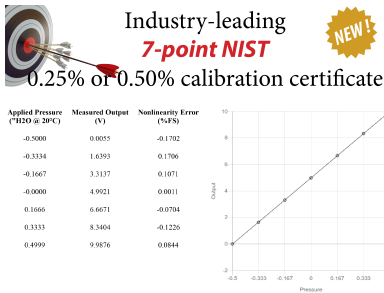


DESCRIPTION

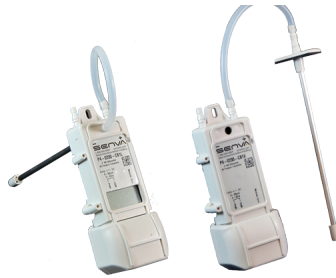
Now with NIST calibrated 0.25% and 0.50% accuracy options, the P4 dry media pressure transmitter features fixed ranges optimized for building (zone) pressure, filter measurement, and static duct applications. Innovative static probe integrates with unit or can be mounted remotely for static pressure. PATENT PENDING. CALL FOR SPECIAL PRICING

APPLICATIONS

- Building (zone) pressure
- Filter condition measurement
- Duct/static
- OEM HVAC
- Meets 0.25% or 0.5% accuracy specs



Precision NIST calibration



Innovative Probe transforms for duct or remote applications



Conduit Ready



Innovative Probe



High Density DIN mounting saves valuable panel space



Made in USA - 7 year warranty

FEATURES

- 7-point NIST certificate; more accuracy points than any competitor
- 0.25% and 0.50% accuracy versions available from 0.25" to 25" W.C.
- Precision calibrated, temperature compensated, non-position-sensitive pressure element
- Versatile duct, filter, or remote mounting; address all with a single unit with RP-6 probe addition
- DIN mount - forward for LCD panel or sideways for panel space savings
- 0-5VDC/10VDC or 4-20 mA loop & 3 wire powered versions
- Conduit cover for 3/8" flex connectors
- LED facilitates locating sensor in ductwork

ORDERING

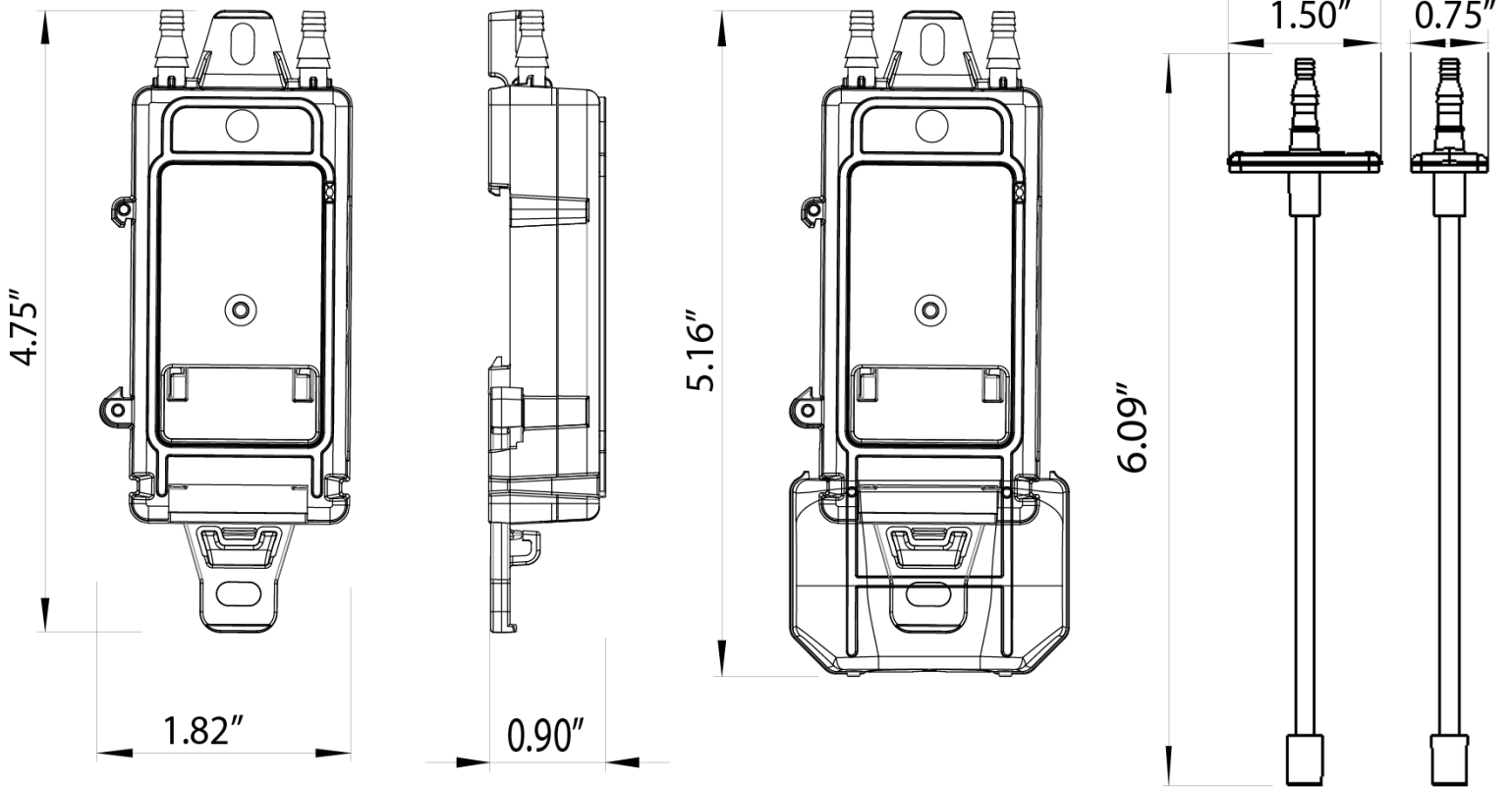
P4	-	<input type="checkbox"/>	-	<input type="checkbox"/>	<input type="checkbox"/>	<input type="checkbox"/>	<input type="checkbox"/>	<input type="checkbox"/>				
		Fixed Range*		Output		Uni or Bi		Accuracy**		Display		Duct Probe
0005 = 0-0.05 "w.c.	0025Pa = 0-25 Pa		A = 0-5VDC, 3-Wire		U = Uni-directional		1 = 1.00% of range		L = LCD		P = Duct Probe	
0010 = 0-0.10 "w.c.	0050Pa = 0-50 Pa		B = 0-10VDC, 3-Wire		B = Bi-directional		2 = 0.25% of range NIST		X = No Display		X = No Probe	
0025 = 0-0.25 "w.c.	0100Pa = 0-100 Pa		C = 4-20mA, 2-wire				5 = 0.50% of range NIST					
0050 = 0-0.50 "w.c.	0300Pa = 0-300 Pa		D = 4-20mA, 3-wire									
0100 = 0-1.0 "w.c.	0500Pa = 0-500 Pa											
0150 = 0-1.5 "w.c.	1000Pa = 0-1000 Pa											
0250 = 0-2.5 "w.c.	1600Pa = 0-1600 Pa											
0300 = 0-3.0 "w.c.	2500Pa = 0-2500 Pa											
0500 = 0-5.0 "w.c.	3000Pa = 0-3000 Pa											
0750 = 0-7.5 "w.c.	5000Pa = 0-5000 Pa											
1000 = 0-10 "w.c.												
1500 = 0-15 "w.c.												
2500 = 0-25 "w.c.												
5000 = 0-50 "w.c.												

Example part number P4-0500-CU2LP is 4-20mA (2-wire), 0.25% accuracy, uni-directional 0-5" WC sensor with LCD display and Duct Probe.

**Other Fixed Ranges Available Upon Request (mmw, etc), Please Consult Factory*

***0.25% accuracies available n 0.5"w.c. and greater, 0.5% accuracy available on 0.1"w.c. and greater (or equivalent Pa ranges)*

DIMENSIONS



Warning: The datasheet is designed for reference only. Refer to installation instructions that accompany the product and heed all safety instructions. Product improvement is a continuing process at Senva. Changes may occur to products without prior notice

SPECIFICATIONS		
Power Supply		12-30VDC/24VAC(1), 30mA max
Output type	Outputs Available	4-20mA loop powered, 4-20 mA 3-wire, 0-5VDC, 0-10VDC
Fixed Ranges	Multiple Fixed Ranges (Inches of w.c. and Pascals)	0.1"w.c. up to 25"w.c. models 1250 Pa up to 6250 Pa models
Operating Temperature	Operating range	-4 to 140F (-20 to 60°C)
	Compensated range	-4 to 140F (-20 to 60°C)
Media compatibility		Dry, oil-free air, N2
Sensor Type		MEMS silicon piezoresistive; precision calibrated
Sensor Performance	Accuracy 1.00%	±1.00% of range
	Accuracy 0.25%(2)	±0.25% of range; 7-point NIST calibrated
	Accuracy 0.50%(2)	±0.50% of range; 7-point NIST calibrated
	Zero Tolerance	Included in accuracy specification
	Span Tolerance	±1.00%
	Zero Drift (1 year)	0.004"WC/year max. 0.4% for units >0.5"w.c.
	Auto-zero input	Push-button and contact closure
	Thermal Shift (Zero and Span)	0.02% FSO/°C (0.01%FSO/°F) measured from 22°C (72°F)
	Overpressure	up to 5" models: 41.5"w.c.; 10" models: 133"w.c.; 25" models: 332"w.c.
		Max Static Line Pressure
	Burst Pressure	up to 5" models: 83"w.c.; 10" models: 166"w.c.; 25" models: 415"w.c.
	Position Sensitivity	Non-position sensitive
Agency	Compliance	CE, RoHS
Enclosure	Flammability	UL94 5VB
	Environmental	NEMA 1

* Product improvement is a continual process as Senva and product features and specification may change without prior notice. Refer to instructions that accompany the product for installation and wiring.