

Model G | Gas Pressure Switches

The Model G is a gas pressure switch that monitors pressure and breaks the electrical control circuit when pressure drops below or rises above the desired setpoint. The gas pressure settings are adjustable.

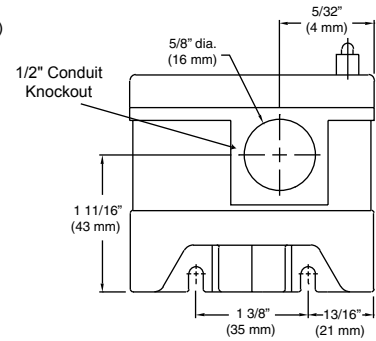
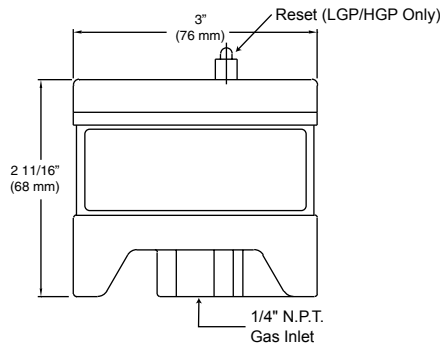
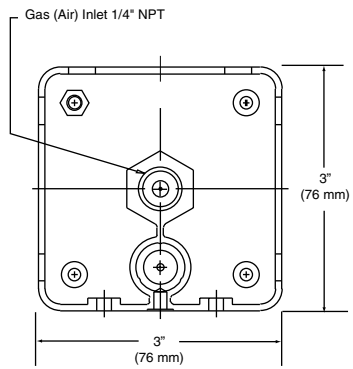
FEATURES

- Compact design
- Accurate
- Adjustable setpoints
- Manual or automatic reset
- Ventless
- Cost-effective pricing
- Custom design per OEM specifications
- Mounts to any modular valve body



Model G | Gas Pressure Switches

Dimensions



NOTE: Dimensions are for reference only.

Low Ranges Available

Model	Part No.	W.C.	mbar
LGP-G	8103116202	1"-20"	3-50
LGP-G	8103116303	5"-30"	12.5-75
LGP-G	8103116407	7"-55"	17.5-137
RLGP-G	8104116102	.5"-4"	1.3-10
RLGP-G	8104116203	1"-20"	2.5-50
RLGP-G	8104116304	5"-30"	12.5-75
Model	Part No.	PSI	Bar
RLGP-G	8104118005	1-4	.07-.28

High Ranges Available

Model	Part No.	W.C.	mbar
HGP-G	8101111202	2"-20"	5-50
HGP-G	8101111303	8"-35"	20-87
HGP-G	8101111407	10"-60"	25-150
RHGP-G	8102111102	.8"-4"	2-10
RHGP-G	8102111203	2"-20"	5-50
RHGP-G	8102111304	5"-35"	12.5-87
Model	Part No.	PSI	Bar
RHGP-G	8102113005	1-4	.07-.28

Specifications

Models—Reset

LGP-G: Single Unit, Lo-Pressure
HGP-G: Single Unit, Hi-Pressure

Models—Recycle

RLGP-G: Single Unit,
Lo-Pressure
RHGP-G: Single Unit,
Hi-Pressure

Electrical Ratings

10A @ 125 VAC
10A @ 250 VAC
1/3 HP, 125 & 250 VAC

Adjustable Operating Pressure

1" W.C. to 4 PSI (different ranges)

Surge Pressure: 15 PSI (1 Bar)

Max. Operating Pressure:

6 PSI (400 mbar) Automatic Reset

2 PSI (138 mbar) Manual Reset

Ambient Operating Temperature:

-40°F to 140°F (-40°C to 60°C)

Field wiring to be rated @ 60°C for maximum 140°F ambient

Shipping Weight: .5 lbs. (.227 kg)

Options:

- NEMA 3S with Kit
- 4-Pin DIN Connector
- Neon Lamp Indicator
- Side Mounting

Pressure switch purchases shall be governed by the terms located at crossroadsindustrialservices.com



a division of Crossroads Industrial Services

8302 East 33rd Street, Indianapolis, IN 46226

p/ 317.899.7392 • w/ crossroadsindustrialservices.com

e/ customersupport@crossroadsindustrialservices.com