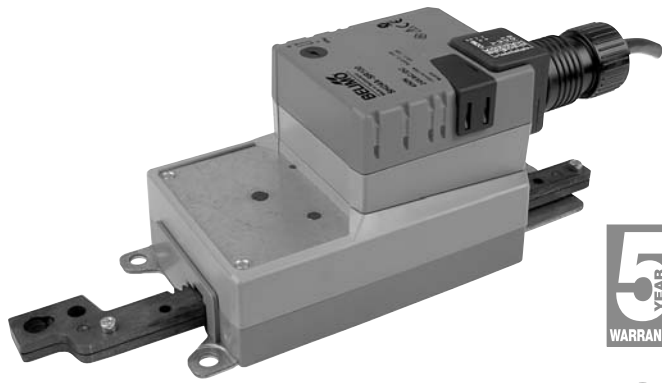


# LHX120-3(-100)(-200)(-300)

On/Off, Floating Point, Non-Spring Return, Linear Stroke, 100 to 240 VAC



Technical Data	LHX120-3(-100)(-200)(-300)
Power supply	100 to 240 VAC 50/60 Hz (nominal) 85 to 265 VAC 50/60 Hz (tolerance)
Power consumption	2.5 W
Transformer sizing	4 VA (Class 2 power source)
Electrical connection	18 GA appliance rated cable 1/2" conduit connector protected NEMA 2 (IP54) 3 ft [1m] 10 ft [3m] 16 ft [5m]
Overload protection	electronic throughout full stroke
Control	on/off, floating point
Input impedance	600 Ω
Linear stroke	
LHX120-3-100	4 in [100 mm]
LHX120-3-200	8 in [200 mm]
LHX120-3-300	12 in [300 mm]
Linear force	101 lbf [450 N]
Stroke direction	reversible with ↓/↑ switch
Manual override	external push button
Running time	150 seconds per 4" [100mm]
Humidity	5 to 95% RH non condensing (EN 60730-1)
Ambient temperature	-22°F to 122°F [-30°C to 50°C]
Storage temperature	-40°F to 176°F [-40°C to 80°C]
Housing	NEMA 2, IP54
Housing material	UL94-5VA
Agency listings	cULus acc. to UL 60730-1A/-2-14, CAN/CSA C22.2 No. 24, CE according to #74123IEEC
Noise level (max)	35dB(A)
Servicing	maintenance free
Quality standard	ISO 9001
Weight	
LHX120-3-100	0.81 lbs [0.37 kg]
LHX120-3-200	0.86 lbs [0.39 kg]
LHX120-3-300	0.93 lbs [0.42 kg]

†Rated Impulse Voltage 800V, Type of action 1, Control Pollution Degree 3.

Linear Force min. 34lbf for control of damper surfaces up to 11 sq. ft.

## Application

For on/off and floating point control of dampers in HVAC systems. Actuator sizing should be done in accordance with the damper manufacturer's specifications.

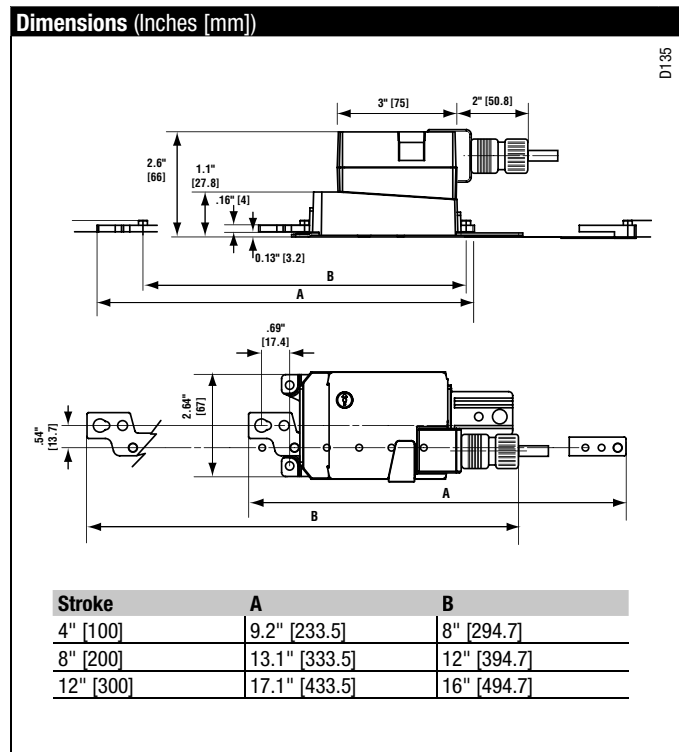
## Operation

The actuator is not provided with and does not require any limit switches, but is electronically protected against overload. The anti-rotation strap supplied with the actuator will prevent lateral movement.

The LHX... series provides 4, 8, or 12 in of linear stroke. The stroke of the gear rack can be adjusted on both sides in increments of 0.8 in [20 mm] by means of the mechanical end stops.

When reaching the damper or actuator end position, the actuator automatically stops. The gears can be manually disengaged with a button on the actuator cover.

The LHX120-3... actuators use a sensorless brushless DC motor, which is controlled by an Application Specific Integrated Circuit (ASIC). The ASIC monitors and controls the actuator's rotation and provides a digital rotation sensing (DRS) function to prevent damage to the actuator in a stall condition. Power consumption is reduced in holding mode.



M40024 - 05/10 - Subject to change. © Belimo Aircontrols (USA), Inc.

### Accessories

Z-DS1	Rotary Support to Compensate Lateral Forces
Z-KSA	Linear Coupling
P370	Shaft Mount Auxiliary Switch

NOTE: When using LHX120-3... actuators, only use accessories listed on this page.

### Typical Specification

Floating point, on/off control damper actuators shall be electronic type, with integrated linear stroking arm. Actuators shall have brushless DC motor technology and be protected from overload at all positions of linear stroke. Actuators shall have reversing switch and manual override on the cover. Run time shall be constant and independent of torque. Actuators shall be cUL Approved, have a 5-year warranty, and be manufactured under ISO 9001 International Quality Control Standards. Actuators shall be as manufactured by Belimo.

### Wiring Diagrams

#### ✂️ INSTALLATION NOTES

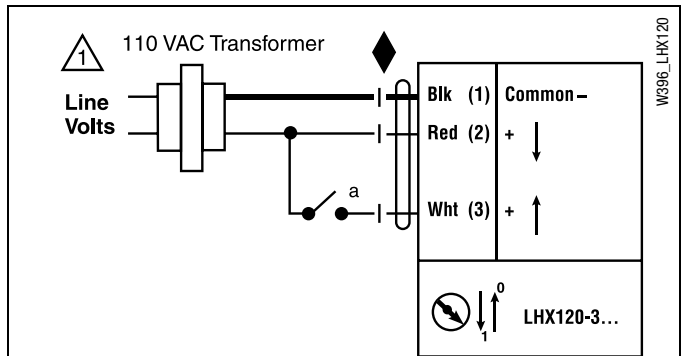
⚠️ Provide overload protection and disconnect as required.

#### 📄 APPLICATION NOTES

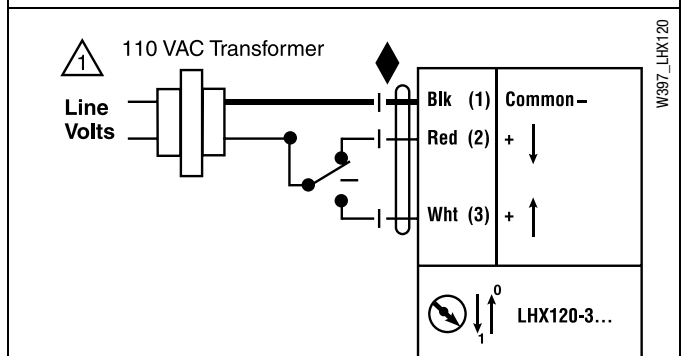
◆ Meets cULus or UL and CSA Standard requirements without the need of an electrical ground connection.

#### ⚠️ WARNING Live Electrical Components!

During installation, testing, servicing and troubleshooting of this product, it may be necessary to work with live electrical components. Have a qualified licensed electrician or other individual who has been properly trained in handling live electrical components perform these tasks. Failure to follow all electrical safety precautions when exposed to live electrical components could result in death or serious injury.



On/Off control



Floating Point or On/Off control

M40024 - 05/10 - Subject to change. © Belimo Aircontrols (USA), Inc.