

**Contents**

How to Select the Globe Valve Retrofit Solution ..... pg 33  
 Globe Valve Retrofit Actuators ..... pg 34

**Solutions for Specific Manufacturer and Part Number**

Honeywell ..... pg 37  
 Johnson Controls ..... pg 46  
 Robertshaw ..... pg 63  
 Siebe - Invensys - Barber Colman ..... pg 64  
 Siemens - Landis - Powers ..... pg 75  
 Warren Controls ..... pg 81

Custom Globe Valve Solutions ..... pg 90  
 Custom Globe Valve Retrofit Solution Form..... pg 92  
 UGSP Series Globe Valve Retrofit Solution, Identification..... pg 94  
 UNV Retrofit Solution ..... pg 104  
 UNV Retrofit Installation Instructions ..... pg 105  
 NV Series Globe Valve Actuators..... pg 108  
 UGLK Retrofit, Components..... pg 122  
 Valve Accessories ..... pg 123  
 UGLK/UGSP Retrofit Solution..... pg 194



**Globe Valves:**  
**UNV Series** Direct Coupled Actuator  
 2-way Valves  
 3-way Valves  
**UGLK Series** Linkage Solution  
 2-way Valves  
 3-way Valves

**Retrofit Solutions for Virtually any Valve**  
**Manufacturers:**  
**Globe:** Siemens, Johnson  
 Honeywell, Invensys  
 and more  
**Control:** On/Off, Floating, 2-10 VDC  
 Multi-Function Technology®  
 Spring Return or  
 Non-Spring Return

M40045 - 10/10 - SUBJECT TO CHANGE. © BELIMO AIRCONTROLS (USA), INC.

## SELF ADAPTING STROKE

The NV Series actuators, which are used with the UNV retrofit kits (Figure 1), are stroke adapting actuators. In modulating applications, the actuator will recognize the stroke length requirement and automatically adjust the control signal for maximum resolution.

## RATINGS FOR STEAM APPLICATION

The UNV-035 is rated for 50 psi inlet steam. All other UNV solutions are rated for 15 psi inlet steam.

All UGLK linkages can be used with Belimo actuators up to a maximum of 50 psi steam

For other applications between 50 psi and 100 psi inlet steam, please call Belimo Customer Service for assistance



Figure 1

## SPRING RETURN FUNCTION

When ordering a UNV kit with an NV Series spring return actuator, you must know the required spring return direction. The NVF24-MFT US springs to the UP position and the NVF24-MFT-E US springs to the DOWN position.

If the required spring return direction is not known, a UGLK linkage (Figure 2) and spring return actuator may be selected. The rotary actuators can be turned over on the linkage and produce a spring return function in either direction.

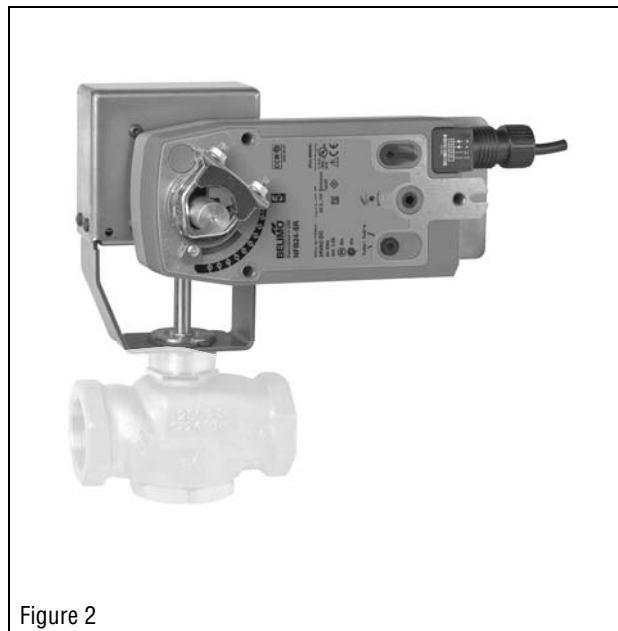
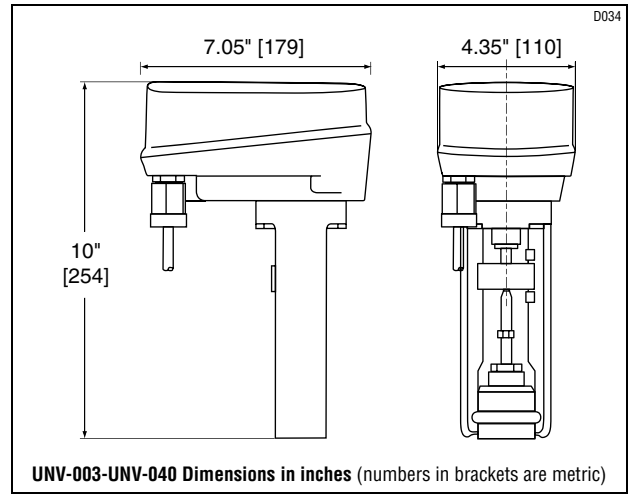
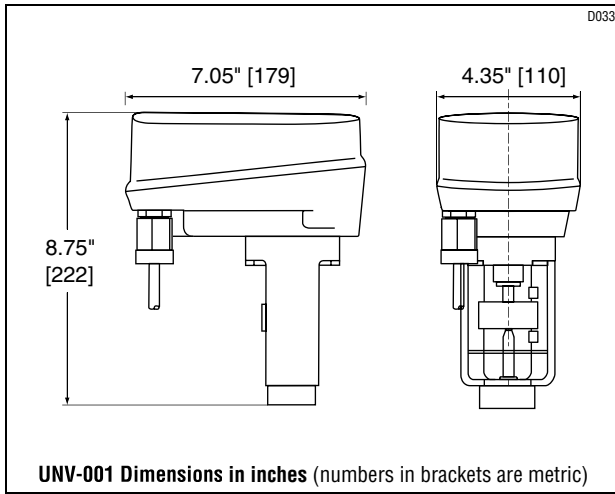
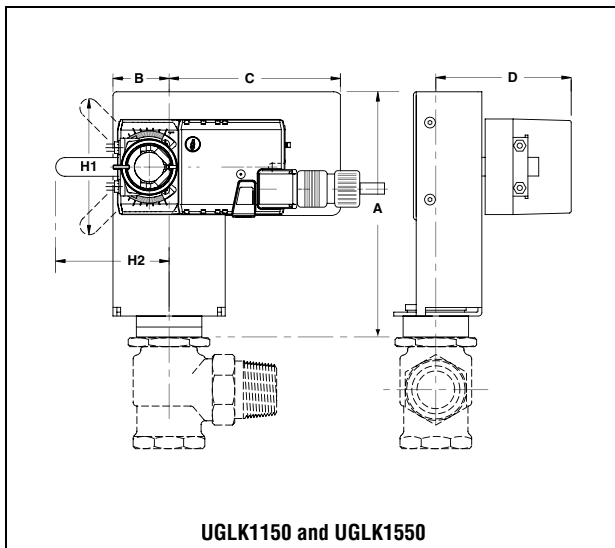
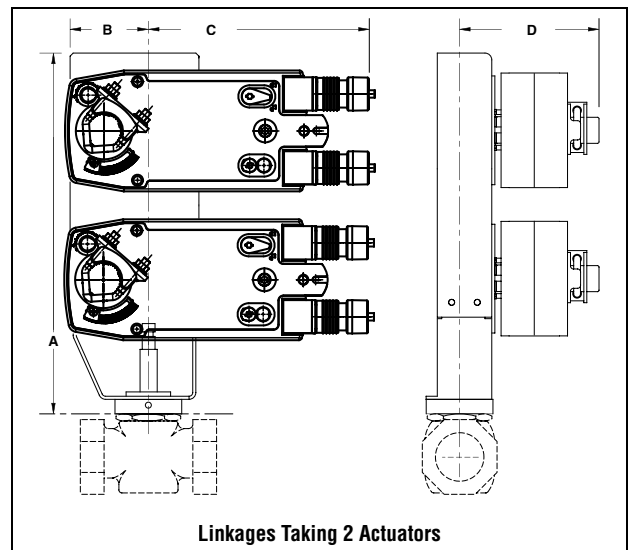
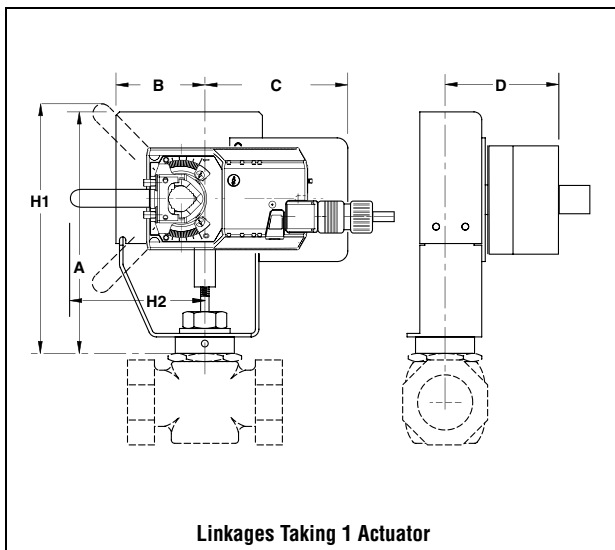


Figure 2

## MAXIMUM DIMENSIONS – UNV with NV Series Actuators



## MAXIMUM DIMENSIONS – UGLK Linkages with Rotary Actuators



### MAXIMUM DIMENSIONS

<b>Linkages Taking 1 Actuator</b>			
A	7"-14" [356]	D	5" [127]
B	3" [76]	H1	9.5" [241]
C	9" [229]	H2	9.5"

<b>Linkages Taking 2 Actuators</b>			
A	19" [483]	D	5" [127]
B	3" [76]		
C	9" [229]		

<b>UGLK1150 and UGLK1550</b>			
A	6.5" [165]	D	4.0" [102]
B	1.5" [33]	H1	4.0" [102]
C	5.0" [127]	H2	3.5" [89]

M40045 - 10/10 - SUBJECT TO CHANGE. © BELIMO AIRCONTROLS (USA), INC.

# How to select a Globe Valve Retrofit Solution

Follow the four steps listed below when ordering a globe valve retrofit kit.

**Example:** Siemens 658 series, 1¼" valve, needing **90 psi** close-off pressure and **Spring Return** actuation.

- Based on the **Valve Number, Configuration and Size**, select the proper linkage or linkages for your valve. Some valves will have more than one linkage, use the actuator selection guide to determine the appropriate linkage for a given application. The 658 Series valve uses linkage **UGLK1350** or **UGLK1214**.
- Use the actuator selection guide and your close-off pressure requirement to select the correct actuator series for your application. Looking at the **UGLK1350** there are no spring return actuators that will achieve 90 psi close-off for 1¼" valve. Looking at the **UGLK1214**, the **NF Series** actuator will provide **156 psi close-off** for the 1¼" valve.
- Use the actuator listings to make your final actuator selection. Decide between **NFB24** and **NFB24-MFT**.
- HOW TO ORDER: **Item 1 1pc UGLK1214**  
**Item 2 1pc NFB24-MFT**



1 Select linkage solution based on the **Valve Number, Configuration, and Size**; select the proper **Linkage Solution** for your valve.

**EXAMPLE PAGE**  
**Siemens\Landis\Powers**  
**591, 599 and 658 Series Valves - NPT Bodies**  
**Actuator Selection Guide**

Valve Body Model	Valve Configuration	Size	Body Type	Flow	Failsafe	Close-Off psi	Close-Off psi (AFX Series)	Belimo Actuator Series (Sold Separately)	Belimo Linkage
658 Series	2-way	1"	NPT	N/a	No	120	(blank)	LM	UGLK1350
						229	(blank)	NV	UNV-004
						244	(blank)	NM	UGLK1350
					Yes	250	(blank)	AM	UGLK1214
								NVG	UNV-004
						95	(blank)	LF	UGLK1350
	1¼"	NPT	N/a	No	183	(blank)	NVF	UNV-004	
					244	(blank)	NF	UGLK1214	
					250	(blank)	AF	UGLK1214	
				Yes	78	(blank)	LM	UGLK1350	
					147	(blank)	NV	UNV-004	
					156	(blank)	NM	UGLK1350	
3-way	½"	NPT	N/a	No	235	(blank)	NVG	UNV-004	
					250	(blank)	AM	UGLK1214	
					250	(blank)	LF	UGLK1350	
				Yes	61	(blank)	NVF	UNV-004	
					117	(blank)	NF	UGLK1214	
					156	(blank)	NF	UGLK1214	
		231	250	AF	UGLK1214				
		250	(blank)	LM	UGLK1350				
		250	(blank)	AM	UGLK1214				
		250	(blank)	NV	UNV-004				
		250	(blank)	LF	UGLK1350				
		250	(blank)	NF	UGLK1214				
		250	(blank)	NVF	UNV-004				

**UGLK1214**  
Example: **Siemens Series #658, 2-Way, 1¼"** valve to be retrofitted.  
Choose correct kit **UGLK1214**.

2 Verify close-off is suitable for application. Looking at the **UGLK1214**, the **NF Series** actuator will provide **156 psi close-off** for the **1¼"** valve.

3 Select actuator based on needed control type. Decide between **NFB24** and **NFB24-MFT**.

Model	Control Input	Feedback	Power Supply	Running Time(s)		VA Rating	Auxiliary Switch	Cable Length
				M	◆◆◆			
<b>BASIC PRODUCTS</b>								
NFB24	On/Off	-	24 VAC/DC	<75	20	8.5	-	3 ft.
NFB24-S	On/Off	-	24 VAC/DC	<75	20	8.5	Built-In	3 ft.
NFBUP	On/Off	-	24-240 VACi	<75	20	9.5	-	3 ft.
NFBUP-S	On/Off	-	24-240 VACi	<75	20	9.5	Built-In	3 ft.
NFB24-SR	2-10 VDC	2-10 VDC	24 VAC/DC	95	<20	6	-	3 ft.
NFB24-SR-S	2-10 VDC	2-10 VDC	24 VAC/DC	95	<20	6	Built-In	3 ft.
NFB24-MFT	2-10 VDC	2-10 VDC	24 VAC/DC	150	<20	9	-	3 ft.
NFB24-MFT-S	2-10 VDC	2-10 VDC	24 VAC/DC	150	<20	9	Built-In	3 ft.
<b>CUSTOMIZE PRODUCTS</b>								
NFX24	NF200 1A1 003**	On/Off	-	24 VAC/DC	<75	20	8.5	3 ft.
NFX24	NF200 1A3 003**	On/Off	-	24 VAC/DC	<75	20	8.5	10 ft.
NFX24-S	NF220 1A1 003**	On/Off	-	24 VAC/DC	<75	20	8.5	3 ft.
NFX24-S	NF220 1A3 003**	On/Off	-	24 VAC/DC	<75	20	8.5	10 ft.
NFXUP	NF000 1A1 003**	On/Off	-	24-240 VACu	<75	20	9.5	3 ft.
NFXUP	NF000 1A3 003**	On/Off	-	24-240 VACu	<75	20	9.5	10 ft.
NFXUP-S	NF000 1A1 003**	On/Off	-	24-240 VACu	<75	20	9.5	3 ft.
NFXUP-S	NF000 1A3 003**	On/Off	-	24-240 VACu	<75	20	9.5	10 ft.
NFX24-SR	NF400 1A1 H01**	2-10 VDC (4-20mA*)	2-10 VDC	24 VAC/DC	95	<20	6	3 ft.
NFX24-SR	NF400 1A3 H01**	2-10 VDC (4-20mA*)	2-10 VDC	24 VAC/DC	95	<20	6	10 ft.
NFX24-SR-S	NF420 1A1 H01**	2-10 VDC (4-20mA*)	2-10 VDC	24 VAC/DC	110	<20	8	3 ft.

4 Complete Ordering Example:  
Item 1: **UGLK1214**  
Item 2: **NFB24-MFT**

M40045 - 10/10 - SUBJECT TO CHANGE. © BELIMO AIRCONTROLS (USA), INC.

LINEAR ACTUATORS						
SERIES	MODEL	Spring Return	Control Input	Feedback Position	Power Supply	Standard Running Time
NVF Series	NVF24-MFT US	spring UP	Variable with MFT (VDC, PWM, Floating Pt., On/Off)	variable VDC	24 VAC/DC	150 seconds
	NVF24-MFT-E US	spring DOWN	Variable with MFT (VDC, PWM, Floating Pt., On/Off)	variable VDC	24 VAC/DC	150 seconds
NV Series	NV24-3 US		Floating Pt., On/Off		24 VAC/DC	150 seconds
	NV24-MFT US		Variable with MFT (VDC, PWM, Floating Pt., On/Off)	variable VDC	24 VAC/DC	150 seconds
NVG Series	NVG24-MFT US		Variable with MFT (VDC, PWM, Floating Pt., On/Off)	variable VDC	24 VAC/DC	150 seconds

ROTARY ACTUATORS SUGGESTION							
SERIES	MODEL	Spring Return	Electronic Fail Safe	Control Input	Feedback Position	Power Supply	Standard Running Time
LF Series*	LF24 US	•		24 VAC/DC		24 VAC/DC	Consult Specifications
	LF24-MFT US	•		Variable with MFT (VDC, PWM, Floating Pt., On/Off)	variable VDC	24 VAC/DC	
NF Series*	NFBUP-X1	•		24 VAC/DC		24 VAC/DC	
	NFX24-MFT-X1	•		Variable with MFT (VDC, PWM, Floating Pt., On/Off)	variable VDC	24 VAC/DC	
AF Series*	AF24 US, AFB24	•		24 VAC/DC		24 VAC/DC	
	AFX24-MFT-X1	•		Variable with MFT (VDC, PWM, Floating Pt., On/Off)	variable VDC	24 VAC/DC	
LM Series*	LMB24-3-X1			Floating Pt., On/Off		24 VAC/DC	
	LMX24-MFT-X1			Variable with MFT (VDC, PWM, Floating Pt., On/Off)	variable VDC	24 VAC/DC	
NM Series*	NMB24-3-X1			24 VAC/DC		24 VAC/DC	
	NMX24-MFT-X1			Variable with MFT (VDC, PWM, Floating Pt., On/Off)	variable VDC	24 VAC/DC	
AM Series*	AMB24-3-X1			24 VAC/DC		24 VAC/DC	
	AMX24-MFT-X1			Variable with MFT (VDC, PWM, Floating Pt., On/Off)	variable VDC	24 VAC/DC	
GM Series*	GMB24-3-X1			24 VAC/DC		24 VAC/DC	
	GMX24-MFT-X1			Variable with MFT (VDC, PWM, Floating Pt., On/Off)	variable VDC	24 VAC/DC	
GK Series*	GKB24-3-X1		•	24 VAC/DC		24 VAC/DC	
	GKX24-MFT-X1		•	Variable with MFT (VDC, PWM, Floating Pt., On/Off)	variable VDC	24 VAC/DC	

\*Please consult the Damper sections for a full list of product offerings. Standard run times should be considered in the selection. All air side products are applicable for retrofit kits. Select "X1" actuators come with a handle.

MULTI-FUNCTION TECHNOLOGY								
NV CODES	P-CODE			Control Input		Running Time	Built-in Feedback	
			ROTARY ACTUATOR CODES					
	V-10001	N01		P-10001	A01	2-10 VDC	150 seconds	2-10 VDC
	V-10002	N02		P-10002	A02	0-10 VDC	150 seconds	0-10 VDC
	V-10028	N1E		P-10028	A28	0-10 VDC	150 seconds	0-10 VDC
	V-10063	N1K		P-10063	A63	0.5-4.5 VDC	150 seconds	0.5-4.5 VDC
	V-10064	N1L		P-10064	A64	5.5-10 VDC	150 seconds	5.5-10 VDC
	V-20002	N1U		P-20002	W02	0.02-5.00 seconds PWM	150 seconds	2-10 VDC
	V-20003	N1V		P-20003	W03	0.10-25.5 seconds PWM	150 seconds	2-10 VDC
	V-30001	N24		P-30001	F01	Floating Pt.	150 seconds	2-10 VDC
	V-40002	N29		P-40002	J02	On/Off	150 seconds	2-10 VDC

Note: V-codes used for NV...Series actuator. All other MFT actuators use P-codes.

M40045 - 10/10 - SUBJECT TO CHANGE. © BELIMO AIRCONTROLS (USA), INC.



Valve Body Model	Valve Configuration	Size	Body Type	Flow	Failsafe	Close-Off psi	Close-Off psi (AFX Series)	Belimo Actuator Series (Sold Separately)	Belimo Linkage
V-5252-12	2-way	3"	Flanged	PDTC	No	52	-	GM	UGLK1410
						26	-	AM	UGLK1410
						93	-	2*GM	UGLK1476
					Yes	19	26	AF	UGLK1410
						52	-	GK	UGLK1410
						39	52	2*AF	UGLK1476
V-5252-13	2-way	3"	Flanged	PDTC	No	52	-	GM	UGLK1410
						26	-	AM	UGLK1410
						93	-	2*GM	UGLK1476
					Yes	19	26	AF	UGLK1410
						52	-	GK	UGLK1410
						39	52	2*AF	UGLK1476
V-5252-14	2-way	4"	Flanged	PDTC	No	15	-	AM	UGLK1410
						29	-	GM	UGLK1410
						52	-	2*GM	UGLK1476
					Yes	11	15	AF	UGLK1410
						22	29	2*AF	UGLK1476
						29	-	GK	UGLK1410
V-5252-17	2-way	5"	Flanged	PDTC	No	14	-	GM	UGLK1414
						25	-	2*GM	UGLK1480
						Yes	5	7	AF
					11		14	2*AF	UGLK1480
					14		-	GK	UGLK1414
					V-5252-18	2-way	5"	Flanged	PDTC
25	-	2*GM	UGLK1480						
Yes	5	7	AF	UGLK1414					
	11	14	2*AF	UGLK1480					
	14	-	GK	UGLK1414					
V-5252-19	2-way	6"	Flanged	PDTC					
					18	-	2*GM	UGLK1480	
					Yes	7	10	2*AF	UGLK1480
						10	-	GK	UGLK1414
						18	-	2*GK	UGLK1480
					V-5252-35	2-way	3"	Flanged	PDTC
26	-	AM	UGLK1410						
93	-	2*GM	UGLK1476						
Yes	19	26	AF	UGLK1410					
	52	-	GK	UGLK1410					
	39	52	2*AF	UGLK1476					
V-5252-36	2-way	4"	Flanged	PDTC	No	15	-	AM	UGLK1410
						29	-	GM	UGLK1410
						52	-	2*GM	UGLK1476
					Yes	11	15	AF	UGLK1410
						22	29	2*AF	UGLK1476
						29	-	GK	UGLK1410
V-5252-38	2-way	5"	Flanged	PDTC	No	14	-	GM	UGLK1414
						25	-	2*GM	UGLK1480
						Yes	5	7	AF
					11		14	2*AF	UGLK1480
					14		-	GK	UGLK1414
					V-5252-39	2-way	6"	Flanged	PDTC
18	-	2*GM	UGLK1480						
Yes	7	10	2*AF	UGLK1480					
	10	-	GK	UGLK1414					
	18	-	2*GK	UGLK1480					

M40045 - 10/10 - Subject to change. © Belimo Aircontrols (USA), Inc.

All close-off pressures listed are approximate and based on valve condition and application.

PDTO = Push down to open  
 PDTC = Push down to close

Valve Body Model	Valve Configuration	Size	Body Type	Flow	Failsafe	Close-Off psi	Close-Off psi (AFX Series)	Belimo Actuator Series (Sold Separately)	Belimo Linkage
V-5462-11	2-way	4"	Flanged	PDTO	No	15	-	AM	UGLK1410
						29	-	GM	UGLK1410
						52	-	2*GM	UGLK1476
					Yes	11	15	AF	UGLK1410
						22	29	2*AF	UGLK1476
						29	-	GK	UGLK1410
V-5462-12	2-way	4"	Flanged	PDTO	No	15	-	AM	UGLK1410
						29	-	GM	UGLK1410
						52	-	2*GM	UGLK1476
					Yes	11	15	AF	UGLK1410
						22	29	2*AF	UGLK1476
						29	-	GK	UGLK1410
V-5462-15	2-way	5"	Flanged	PDTO	No	14	-	GM	UGLK1414
						25	-	2*GM	UGLK1480
						5	7	AF	UGLK1414
					Yes	11	14	2*AF	UGLK1480
						14	-	GK	UGLK1414
						25	-	2*GK	UGLK1480
V-5462-16	2-way	5"	Flanged	PDTO	No	14	-	GM	UGLK1414
						25	-	2*GM	UGLK1480
						5	7	AF	UGLK1414
					Yes	11	14	2*AF	UGLK1480
						14	-	GK	UGLK1414
						25	-	2*GK	UGLK1480
V-5462-17	2-way	6"	Flanged	PDTO	No	10	-	GM	UGLK1414
						18	-	2*GM	UGLK1480
						7	10	2*AF	UGLK1480
					Yes	10	-	GK	UGLK1414
						18	-	2*GK	UGLK1480
						7	10	2*AF	UGLK1480
V-5462-18	2-way	6"	Flanged	PDTO	No	10	-	GM	UGLK1414
						18	-	2*GM	UGLK1480
						7	10	2*AF	UGLK1480
					Yes	10	-	GK	UGLK1414
						18	-	2*GK	UGLK1480
						7	10	2*AF	UGLK1480
V-5462-35	2-way	3"	Flanged	PDTO	No	52	-	GM	UGLK1410
						26	-	AM	UGLK1410
						93	-	2*GM	UGLK1476
					Yes	19	26	AF	UGLK1410
						52	-	GK	UGLK1410
						39	52	2*AF	UGLK1476
V-5462-37	2-way	4"	Flanged	PDTO	No	15	-	AM	UGLK1410
						29	-	GM	UGLK1410
						52	-	2*GM	UGLK1476
					Yes	11	15	AF	UGLK1410
						22	29	2*AF	UGLK1476
						29	-	GK	UGLK1410
V-5462-39	2-way	5"	Flanged	PDTO	No	14	-	GM	UGLK1414
						25	-	2*GM	UGLK1480
						5	7	AF	UGLK1414
					Yes	11	14	2*AF	UGLK1480
						14	-	GK	UGLK1414
						25	-	2*GK	UGLK1480
V-5462-40	2-way	6"	Flanged	PDTO	No	10	-	GM	UGLK1414
						18	-	2*GM	UGLK1480
						7	10	2*AF	UGLK1480
					Yes	10	-	GK	UGLK1414
						18	-	2*GK	UGLK1480
						7	10	2*AF	UGLK1480

All close-off pressures listed are approximate and based on valve condition and application.

PDTO = Push down to open

PDTC = Push down to close

M40045 - 10/10 - Subject to change. © Belimo Aircontrols (USA), Inc.



Valve Body Model	Valve Configuration	Size	Body Type	Flow	Failsafe	Close-Off psi	Close-Off psi (AFX Series)	Belimo Actuator Series (Sold Separately)	Belimo Linkage
V-5462-8	2-way	3"	Flanged	PDTO	No	52	-	GM	UGLK1410
						26	-	AM	UGLK1410
						93	-	2*GM	UGLK1476
					Yes	19	26	AF	UGLK1410
						52	-	GK	UGLK1410
						39	52	2*AF	UGLK1476
V-5462-9	2-way	3"	Flanged	PDTO	No	52	-	GM	UGLK1410
						26	-	AM	UGLK1410
						93	-	2*GM	UGLK1476
					Yes	19	26	AF	UGLK1410
						52	-	GK	UGLK1410
						39	52	2*AF	UGLK1476
V-5842-10	3-way	3"	Flanged	Mixing	No	52	-	GM	UGLK1410
						26	-	AM	UGLK1410
						93	-	2*GM	UGLK1476
					Yes	19	26	AF	UGLK1410
						52	-	GK	UGLK1410
						39	52	2*AF	UGLK1476
V-5842-13	3-way	5"	Flanged	Mixing	No	14	-	GM	UGLK1414
						25	-	2*GM	UGLK1480
						Yes	5	7	AF
					11		14	2*AF	UGLK1480
					14		-	GK	UGLK1414
					V-5842-14	3-way	5"	Flanged	Mixing
25	-	2*GM	UGLK1480						
Yes	5	7	AF	UGLK1414					
	11	14	2*AF	UGLK1480					
	14	-	GK	UGLK1414					
V-5842-15	3-way	6"	Flanged	Mixing					
					18	-	2*GM	UGLK1480	
					Yes	7	10	2*AF	UGLK1480
						10	-	GK	UGLK1414
						18	-	2*GK	UGLK1480
					V-5842-16	3-way	6"	Flanged	Mixing
18	-	2*GM	UGLK1480						
Yes	7	10	2*AF	UGLK1480					
	10	-	GK	UGLK1414					
	18	-	2*GK	UGLK1480					
V-5842-32	3-way	3"	Flanged	Mixing					
					26	-	AM	UGLK1410	
					93	-	2*GM	UGLK1476	
					Yes	19	26	AF	UGLK1410
						52	-	GK	UGLK1410
						39	52	2*AF	UGLK1476
V-5842-35	3-way	5"	Flanged	Mixing	No	14	-	GM	UGLK1414
						25	-	2*GM	UGLK1480
						Yes	5	7	AF
					11		14	2*AF	UGLK1480
					14		-	GK	UGLK1414
					V-5842-36	3-way	6"	Flanged	Mixing
18	-	2*GM	UGLK1480						
Yes	7	10	2*AF	UGLK1480					
	10	-	GK	UGLK1414					
	18	-	2*GK	UGLK1480					

M40045 - 10/10 - Subject to change. © Belimo Aircontrols (USA), Inc.

All close-off pressures listed are approximate and based on valve condition and application.

PDTO = Push down to open  
 PDTC = Push down to close



Valve Body Model	Valve Configuration	Size	Body Type	Flow	Failsafe	Close-Off psi	Close-Off psi (AFX Series)	Belimo Actuator Series (Sold Separately)	Belimo Linkage
V-5842-9	3-way	3"	Flanged	Mixing	No	52	-	GM	UGLK1410
						26	-	AM	UGLK1410
						93	-	2*GM	UGLK1476
					Yes	19	26	AF	UGLK1410
						52	-	GK	UGLK1410
						39	52	2*AF	UGLK1476
VB-3752-22	2-way	3"	Flanged	PDTC	No	52	-	GM	UGLK1410
						26	-	AM	UGLK1410
						93	-	2*GM	UGLK1476
					Yes	19	26	AF	UGLK1410
						52	-	GK	UGLK1410
						39	52	2*AF	UGLK1476
VB-3752-25	2-way	4"	Flanged	PDTC	No	15	-	AM	UGLK1410
						29	-	GM	UGLK1410
						52	-	2*GM	UGLK1476
					Yes	11	15	AF	UGLK1410
						22	29	2*AF	UGLK1476
						29	-	GK	UGLK1410
VB-3752-28	2-way	5"	Flanged	PDTC	No	14	-	GM	UGLK1414
						25	-	2*GM	UGLK1480
						5	7	AF	UGLK1414
					Yes	11	14	2*AF	UGLK1480
						14	-	GK	UGLK1414
						25	-	2*GK	UGLK1480
VB-3752-31	2-way	6"	Flanged	PDTC	No	10	-	GM	UGLK1414
						18	-	2*GM	UGLK1480
						7	10	2*AF	UGLK1480
					Yes	10	-	GK	UGLK1414
						18	-	2*GK	UGLK1480
						10	-	GM	UGLK1414
VB-3970-14	2-way	3"	Flanged	PDTO	No	52	-	GM	UGLK1410
						26	-	AM	UGLK1410
						93	-	2*GM	UGLK1476
					Yes	19	26	AF	UGLK1410
						52	-	GK	UGLK1410
						39	52	2*AF	UGLK1476
VB-3970-17	2-way	4"	Flanged	PDTO	No	15	-	AM	UGLK1410
						29	-	GM	UGLK1410
						52	-	2*GM	UGLK1476
					Yes	11	15	AF	UGLK1410
						22	29	2*AF	UGLK1476
						29	-	GK	UGLK1410
VB-3970-20	2-way	5"	Flanged	PDTO	No	14	-	GM	UGLK1414
						25	-	2*GM	UGLK1480
						5	7	AF	UGLK1414
					Yes	11	14	2*AF	UGLK1480
						14	-	GK	UGLK1414
						25	-	2*GK	UGLK1480
VB-3970-23	2-way	6"	Flanged	PDTO	No	10	-	GM	UGLK1414
						18	-	2*GM	UGLK1480
						7	10	2*AF	UGLK1480
					Yes	10	-	GK	UGLK1414
						18	-	2*GK	UGLK1480
						10	-	GM	UGLK1414
VB-4322-11	3-way	3"	Flanged	Mixing	No	52	-	GM	UGLK1410
						26	-	AM	UGLK1410
						93	-	2*GM	UGLK1476
					Yes	19	26	AF	UGLK1410
						52	-	GK	UGLK1410
						39	52	2*AF	UGLK1476

All close-off pressures listed are approximate and based on valve condition and application.

PDTO = Push down to open  
 PDTCC = Push down to close



Valve Body Model	Valve Configuration	Size	Body Type	Flow	Failsafe	Close-Off psi	Close-Off psi (AFX Series)	Belimo Actuator Series (Sold Separately)	Belimo Linkage
VB-4322-13	3-way	4"	Flanged	Mixing	No	15	-	AM	UGLK1410
						29	-	GM	UGLK1410
						52	-	2*GM	UGLK1476
					Yes	11	15	AF	UGLK1410
						22	29	2*AF	UGLK1476
						29	-	GK	UGLK1410
VB-4322-18	3-way	6"	Flanged	Mixing	No	10	-	GM	UGLK1414
						18	-	2*GM	UGLK1480
						7	10	2*AF	UGLK1480
					Yes	10	-	GK	UGLK1414
						18	-	2*GK	UGLK1480
						25	-	2*GK	UGLK1476
VB-4322-19	3-way	5"	Flanged	Mixing	No	14	-	GM	UGLK1414
						25	-	2*GM	UGLK1480
						5	7	AF	UGLK1414
					Yes	11	14	2*AF	UGLK1480
						14	-	GK	UGLK1414
						25	-	2*GK	UGLK1480
VG2231 UM	2-way	3"	Flanged	PDTC	No	52	-	GM	UGLK1410
						26	-	AM	UGLK1410
						93	-	2*GM	UGLK1476
					Yes	19	26	AF	UGLK1410
						52	-	GK	UGLK1410
						39	52	2*AF	UGLK1476
VG2231 VM	2-way	4"	Flanged	PDTC	No	15	-	AM	UGLK1410
						29	-	GM	UGLK1410
						52	-	2*GM	UGLK1476
					Yes	11	15	AF	UGLK1410
						22	29	2*AF	UGLK1476
						29	-	GK	UGLK1410
VG2231 WN	2-way	5"	Flanged	PDTC	No	14	-	GM	UGLK1414
						25	-	2*GM	UGLK1480
						5	7	AF	UGLK1414
					Yes	11	14	2*AF	UGLK1480
						14	-	GK	UGLK1414
						25	-	2*GK	UGLK1480
VG2231 YN	2-way	6"	Flanged	PDTC	No	10	-	GM	UGLK1414
						18	-	2*GM	UGLK1480
						7	10	2*AF	UGLK1480
					Yes	10	-	GK	UGLK1414
						18	-	2*GK	UGLK1480
						25	-	2*GK	UGLK1476
VG2431 UM	2-way	3"	Flanged	PDTO	No	52	-	GM	UGLK1410
						26	-	AM	UGLK1410
						93	-	2*GM	UGLK1476
					Yes	19	26	AF	UGLK1410
						52	-	GK	UGLK1410
						39	52	2*AF	UGLK1476
VG2431 VM	2-way	4"	Flanged	PDTO	No	15	-	AM	UGLK1410
						29	-	GM	UGLK1410
						52	-	2*GM	UGLK1476
					Yes	11	15	AF	UGLK1410
						22	29	2*AF	UGLK1476
						29	-	GK	UGLK1410
VG2431 WN	2-way	5"	Flanged	PDTO	No	14	-	GM	UGLK1414
						25	-	2*GM	UGLK1480
						5	7	AF	UGLK1414
					Yes	11	14	2*AF	UGLK1480
						14	-	GK	UGLK1414
						25	-	2*GK	UGLK1480

M40045 - 10/10 - Subject to change. © Belimo Aircontrols (USA), Inc.

All close-off pressures listed are approximate and based on valve condition and application.

PDTO = Push down to open  
PDTC = Push down to close

Valve Body Model	Valve Configuration	Size	Body Type	Flow	Failsafe	Close-Off psi	Close-Off psi (AFX Series)	Belimo Actuator Series (Sold Separately)	Belimo Linkage
VG2431 YN	2-way	6"	Flanged	PDTO	No	10	-	GM	UGLK1414
						18	-	2*GM	UGLK1480
					Yes	7	10	2*AF	UGLK1480
						10	-	GK	UGLK1414
VG2831 UM	3-way	3"	Flanged	Mixing	No	52	-	GM	UGLK1410
						26	-	AM	UGLK1410
						93	-	2*GM	UGLK1476
					Yes	19	26	AF	UGLK1410
						52	-	GK	UGLK1410
						39	52	2*AF	UGLK1476
VG2831 VM	3-way	4"	Flanged	Mixing	No	29	-	GM	UGLK1410
						52	-	2*GM	UGLK1476
						11	15	AF	UGLK1410
					Yes	22	29	2*AF	UGLK1476
						29	-	GK	UGLK1410
						52	-	2*GK	UGLK1476
VG2831 WN	3-way	5"	Flanged	Mixing	No	14	-	GM	UGLK1414
						25	-	2*GM	UGLK1480
					Yes	5	7	AF	UGLK1414
						11	14	2*AF	UGLK1480
						14	-	GK	UGLK1414
						25	-	2*GK	UGLK1480
VG2831 YN	3-way	6"	Flanged	Mixing	No	10	-	GM	UGLK1414
						18	-	2*GM	UGLK1480
					Yes	7	10	2*AF	UGLK1480
						10	-	GK	UGLK1414
						18	-	2*GK	UGLK1480

All close-off pressures listed are approximate and based on valve condition and application.

PDTO = Push down to open  
 PDTC = Push down to close



Valve Body Model	Valve Configuration	Size	Body Type	Flow	Failsafe	Close-Off psi	Close-Off psi (AFX Series)	Belimo Actuator Series (Sold Separately)	Belimo Linkage
V-5210-4595	2-way	2½"	Flanged	PDTC	No	38	-	AM	UGLK1412
						75	-	GM	UGLK1412
						134	-	2*GM	UGLK1478
					Yes	28	38	AF	UGLK1412
						55	75	2*AF	UGLK1478
						75	-	GK	UGLK1412
V-5210-4596	2-way	3"	Flanged	PDTC	No	52	-	GM	UGLK1412
						26	-	AM	UGLK1412
						93	-	2*GM	UGLK1478
					Yes	19	26	AF	UGLK1412
						52	-	GK	UGLK1412
						39	52	2*AF	UGLK1478
V-5210-4597	2-way	4"	Flanged	PDTC	No	15	-	AM	UGLK1412
						29	-	GM	UGLK1412
						52	-	2*GM	UGLK1478
					Yes	11	15	AF	UGLK1412
						22	29	2*AF	UGLK1478
						29	-	GK	UGLK1412
V-5252-10	2-way	3"	Flanged	PDTC	No	38	-	AM	UGLK1404
						77	-	GM	UGLK1404
						136	-	2*GM	UGLK1472
					Yes	28	38	AF	UGLK1404
						57	77	2*AF	UGLK1472
						77	-	GK	UGLK1404
V-5252-11	2-way	3"	Flanged	PDTC	No	38	-	AM	UGLK1404
						77	-	GM	UGLK1404
						136	-	2*GM	UGLK1472
					Yes	28	38	AF	UGLK1404
						57	77	2*AF	UGLK1472
						77	-	GK	UGLK1404
V-5252-15	2-way	4"	Flanged	PDTC	No	15	-	AM	UGLK1412
						29	-	GM	UGLK1412
						52	-	2*GM	UGLK1478
					Yes	11	15	AF	UGLK1412
						22	29	2*AF	UGLK1478
						29	-	GK	UGLK1412
V-5252-16	2-way	4"	Flanged	PDTC	No	15	-	AM	UGLK1412
						29	-	GM	UGLK1412
						52	-	2*GM	UGLK1478
					Yes	11	15	AF	UGLK1412
						22	29	2*AF	UGLK1478
						29	-	GK	UGLK1412
V-5252-32	2-way	2½"	Flanged	PDTC	No	55	-	AM	UGLK1404
						110	-	GM	UGLK1404
						196	-	2*GM	UGLK1472
					Yes	41	55	AF	UGLK1404
						82	110	2*AF	UGLK1472
						110	-	GK	UGLK1404
V-5252-33	2-way	2½"	Flanged	PDTC	No	55	-	AM	UGLK1404
						110	-	GM	UGLK1404
						196	-	2*GM	UGLK1472
					Yes	41	55	AF	UGLK1404
						82	110	2*AF	UGLK1472
						110	-	GK	UGLK1404

All close-off pressures listed are approximate and based on valve condition and application.

PDTO = Push down to open  
 PDTC = Push down to close

M40045 - 10/10 - Subject to change. © Belimo Aircontrols (USA), Inc.





Valve Body Model	Valve Configuration	Size	Body Type	Flow	Failsafe	Close-Off psi	Close-Off psi (AFX Series)	Belimo Actuator Series (Sold Separately)	Belimo Linkage
V-5410-4596	2-way	3"	Flanged	PDTO	No	52	-	GM	UGLK1412
						26	-	AM	UGLK1412
						93	-	2*GM	UGLK1478
					Yes	19	26	AF	UGLK1412
						52	-	GK	UGLK1412
						39	52	2*AF	UGLK1478
93	-	2*GK	UGLK1478						
V-5410-4597	2-way	4"	Flanged	PDTO	No	15	-	AM	UGLK1412
						29	-	GM	UGLK1412
						52	-	2*GM	UGLK1478
					Yes	11	15	AF	UGLK1412
						22	29	2*AF	UGLK1478
						29	-	GK	UGLK1412
52	-	2*GK	UGLK1478						
V-5462-10	2-way	3"	Flanged	PDTC	No	52	-	GM	UGLK1412
						26	-	AM	UGLK1412
						93	-	2*GM	UGLK1478
					Yes	19	26	AF	UGLK1412
						52	-	GK	UGLK1412
						39	52	2*AF	UGLK1478
93	-	2*GK	UGLK1478						
V-5462-13	2-way	4"	Flanged	PDTO	No	15	-	AM	UGLK1412
						29	-	GM	UGLK1412
						52	-	2*GM	UGLK1478
					Yes	11	15	AF	UGLK1412
						22	29	2*AF	UGLK1478
						29	-	GK	UGLK1412
52	-	2*GK	UGLK1478						
V-5462-14	2-way	4"	Flanged	PDTO	No	15	-	AM	UGLK1412
						29	-	GM	UGLK1412
						52	-	2*GM	UGLK1478
					Yes	11	15	AF	UGLK1412
						22	29	2*AF	UGLK1478
						29	-	GK	UGLK1412
52	-	2*GK	UGLK1478						
V-5462-34	2-way	2½"	Flanged	PDTO	No	55	-	AM	UGLK1404
						110	-	GM	UGLK1404
						196	-	2*GM	UGLK1472
					Yes	41	55	AF	UGLK1404
						82	110	2*AF	UGLK1472
						110	-	GK	UGLK1404
196	-	2*GK	UGLK1472						
V-5462-36	2-way	3"	Flanged	PDTC	No	52	-	GM	UGLK1412
						26	-	AM	UGLK1412
						93	-	2*GM	UGLK1478
					Yes	19	26	AF	UGLK1412
						52	-	GK	UGLK1412
						39	52	2*AF	UGLK1478
93	-	2*GK	UGLK1478						
V-5462-38	2-way	4"	Flanged	PDTO	No	15	-	AM	UGLK1412
						29	-	GM	UGLK1412
						52	-	2*GM	UGLK1478
					Yes	11	15	AF	UGLK1412
						22	29	2*AF	UGLK1478
						29	-	GK	UGLK1412
52	-	2*GK	UGLK1478						
V-5462-6	2-way	2½"	Flanged	PDTO	No	55	-	AM	UGLK1404
						110	-	GM	UGLK1404
						196	-	2*GM	UGLK1472
					Yes	41	55	AF	UGLK1404
						82	110	2*AF	UGLK1472
						110	-	GK	UGLK1404
196	-	2*GK	UGLK1472						

M40045 - 10/10 - Subject to change. © Belimo Aircontrols (USA), Inc.

All close-off pressures listed are approximate and based on valve condition and application.

PDTO = Push down to open  
 PDTC = Push down to close





Valve Body Model	Valve Configuration	Size	Body Type	Flow	Failsafe	Close-Off psi	Close-Off psi (AFX Series)	Belimo Actuator Series (Sold Separately)	Belimo Linkage			
V-5842-8	3-way	2½"	Flanged	Mixing	No	55	-	AM	UGLK1404			
						110	-	GM	UGLK1404			
						196	-	2*GM	UGLK1472			
					Yes	41	55	AF	UGLK1404			
						82	110	2*AF	UGLK1472			
						110	-	GK	UGLK1404			
VB-3752-19	2-way	2½"	Flanged	PDTC	No	55	-	AM	UGLK1404			
						110	-	GM	UGLK1404			
						196	-	2*GM	UGLK1472			
					Yes	41	55	AF	UGLK1404			
						82	110	2*AF	UGLK1472			
						110	-	GK	UGLK1404			
VB-3970-11	2-way	2½"	Flanged	PDTO	No	55	-	AM	UGLK1404			
						110	-	GM	UGLK1404			
						196	-	2*GM	UGLK1472			
					Yes	41	55	AF	UGLK1404			
						82	110	2*AF	UGLK1472			
						110	-	GK	UGLK1404			
VB-4322-9	3-way	2½"	Flanged	Mixing	No	55	-	AM	UGLK1404			
						110	-	GM	UGLK1404			
						196	-	2*GM	UGLK1472			
					Yes	41	55	AF	UGLK1404			
						82	110	2*AF	UGLK1472			
						110	-	GK	UGLK1404			
VG2231 TM	2-way	2½"	Flanged	PDTC	No	55	-	AM	UGLK1404			
						110	-	GM	UGLK1404			
						196	-	2*GM	UGLK1472			
					Yes	41	55	AF	UGLK1404			
						82	110	2*AF	UGLK1472			
						110	-	GK	UGLK1404			
VG2231 UN	2-way	3"	Flanged	PDTC	No	52	-	GM	UGLK1412			
						26	-	AM	UGLK1412			
						93	-	2*GM	UGLK1478			
					Yes	19	26	AF	UGLK1412			
						52	-	GK	UGLK1412			
						39	52	2*AF	UGLK1478			
VG2231 VN	2-way	4"	Flanged	PDTC	No	15	-	AM	UGLK1412			
						29	-	GM	UGLK1412			
						52	-	2*GM	UGLK1478			
					Yes	11	15	AF	UGLK1412			
						22	29	2*AF	UGLK1478			
						29	-	GK	UGLK1412			
VG2431 TM	2-way	2½"	Flanged	PDTO	No	55	-	AM	UGLK1404			
						110	-	GM	UGLK1404			
						196	-	2*GM	UGLK1472			
					Yes	41	55	AF	UGLK1404			
						82	110	2*AF	UGLK1472			
						110	-	GK	UGLK1404			
VG2431 UN	2-way	3"	Flanged	PDTO	No	52	-	GM	UGLK1412			
						26	-	AM	UGLK1412			
						93	-	2*GM	UGLK1478			
					Yes	19	26	AF	UGLK1412			
						52	-	GK	UGLK1412			
						39	52	2*AF	UGLK1478			
									93	-	2*GK	UGLK1478

All close-off pressures listed are approximate and based on valve condition and application.

PDTO = Push down to open  
 PDTC = Push down to close

M40045 - 10/10 - Subject to change. © Belimo Aircontrols (USA), Inc.



Valve Body Model	Valve Configuration	Size	Body Type	Flow	Failsafe	Close-Off psi	Close-Off psi (AFX Series)	Belimo Actuator Series (Sold Separately)	Belimo Linkage
VG2431 VN	2-way	4"	Flanged	PDTO	No	15	-	AM	UGLK1412
						29	-	GM	UGLK1412
						52	-	2*GM	UGLK1478
					Yes	11	15	AF	UGLK1412
						22	29	2*AF	UGLK1478
						29	-	GK	UGLK1412
VG2831 TM	3-way	2½"	Flanged	Mixing	No	55	-	AM	UGLK1404
						110	-	GM	UGLK1404
						196	-	2*GM	UGLK1472
					Yes	41	55	AF	UGLK1404
						82	110	2*AF	UGLK1472
						110	-	GK	UGLK1404
VG2831 UN	3-way	3"	Flanged	Mixing	No	52	-	GM	UGLK1412
						26	-	AM	UGLK1412
						93	-	2*GM	UGLK1478
					Yes	19	26	AF	UGLK1412
						52	-	GK	UGLK1412
						39	52	2*AF	UGLK1478
VG2831 VN	3-way	4"	Flanged	Mixing	No	15	-	AM	UGLK1412
						29	-	GM	UGLK1412
						52	-	2*GM	UGLK1478
					Yes	11	15	AF	UGLK1412
						22	29	2*AF	UGLK1478
						29	-	GK	UGLK1412
						52	-	2*GK	UGLK1478

All close-off pressures listed are approximate and based on valve condition and application.

PDTO = Push down to open

PDTC = Push down to close



Valve Body Model	Valve Configuration	Size	Body Type	Flow	Failsafe	Close-Off psi	Close-Off psi (AFX Series)	Belimo Actuator Series (Sold Separately)	Belimo Linkage
V-3754-(4, 1008, 1022, 1026)	2-way	¾"	NPT	PDTC	No	215	-	LM	UGLK1550
						250	-	NM	UGLK1550
					Yes	215	-	LF	UGLK1550
						250	-	NF	UGLK1400
V-3754-(5, 1010, 1023, 1027)	2-way	1"	NPT	PDTC	No	250	-	AM	UGLK1402
						173	-	NF	UGLK1402
					Yes	250	250	AF	UGLK1402
						250	-	GM	UGLK1402
V-3754-(6, 1028, 1029, 1030)	2-way	1½"	NPT	PDTC	No	153	-	AM	UGLK1402
						250	-	GM	UGLK1402
					Yes	77	-	NF	UGLK1402
						113	153	AF	UGLK1402
						154	209	2*AF	UGLK1478
						250	-	GK	UGLK1402
V-3754-7	2-way	2"	NPT	PDTC	No	86	-	AM	UGLK1406
						173	-	GM	UGLK1406
						250	-	2*GM	UGLK1474
					Yes	43	-	NF	UGLK1406
						64	86	AF	UGLK1406
						128	173	2*AF	UGLK1474
						173	-	GK	UGLK1406
						250	-	2*GK	UGLK1474
						221	-	AF	UGLK1402
						110	-	NF	UGLK1402
V-3754-8	2-way	1¼"	NPT	PDTC	No	221	-	AM	UGLK1402
					Yes	163	221	AF	UGLK1402
V-3766	2-way	½"	FLARE	PDTC	No	250	-	LM	UGLK1552
					Yes	250	-	LF	UGLK1552
V-3854-5	2-way	½"	NPT	PDTC	No	250	-	LM	UGLK1554
					Yes	250	-	LF	UGLK1554
V-3966	2-way	½"	FLARE	PDTO	No	250	-	LM	UGLK1552
					Yes	250	-	LF	UGLK1552
V-3974-(4, 1004, 1010)	2-way	¾"	NPT	PDTO	No	215	-	LM	UGLK1550
						250	-	NM	UGLK1550
					Yes	215	-	LF	UGLK1550
						250	-	NF	UGLK1400
V-3974-(5, 1005, 1011)	2-way	1"	NPT	PDTO	No	250	-	AM	UGLK1402
						173	-	NF	UGLK1402
					Yes	250	250	AF	UGLK1402
						250	-	GM	UGLK1402
V-3974-(6, 1012, 1013)	2-way	1½"	NPT	PDTO	No	153	-	AM	UGLK1402
						250	-	GM	UGLK1402
					Yes	77	-	NF	UGLK1402
						113	153	AF	UGLK1402
						154	209	2*AF	UGLK1478
						250	-	GK	UGLK1402
V-3974-7	2-way	2"	NPT	PDTO	No	86	-	AM	UGLK1406
						173	-	GM	UGLK1406
						250	-	2*GM	UGLK1474
					Yes	43	-	NF	UGLK1406
						64	86	AF	UGLK1406
						128	173	2*AF	UGLK1474
						173	-	GK	UGLK1406
						250	-	2*GK	UGLK1474
						221	-	AF	UGLK1402
						110	-	NF	UGLK1402
V-4324-(4, 1005, 1006, 1013)	3-way	¾"	NPT	Mixing	No	215	-	LM	UGLK1550
						250	-	NM	UGLK1550
					Yes	215	-	LF	UGLK1550
						250	-	NF	UGLK1400
V-4324-(5, 1007, 1008, 1014)	3-way	1"	NPT	Mixing	No	250	-	AM	UGLK1402
					Yes	173	-	NF	UGLK1402
						250	250	AF	UGLK1402

M40045 - 10/10 - Subject to change. © Belimo Aircontrols (USA), Inc.

All close-off pressures listed are approximate and based on valve condition and application.

Valve Body Model	Valve Configuration	Size	Body Type	Flow	Failsafe	Close-Off psi	Close-Off psi (AFX Series)	Belimo Actuator Series (Sold Separately)	Belimo Linkage
V-4324-(6,1015, 1016, 1017)	3-way	1½"	NPT	Mixing	No	153	-	AM	UGLK1402
						250	-	GM	UGLK1402
						77	-	NF	UGLK1402
					Yes	113	153	AF	UGLK1402
						154	209	2*AF	UGLK1478
						250	-	GK	UGLK1402
V-4324-7	3-way	2"	NPT	Mixing	No	86	-	AM	UGLK1406
						173	-	GM	UGLK1406
						250	-	2*GM	UGLK1474
					Yes	43	-	NF	UGLK1406
						64	86	AF	UGLK1406
						128	173	2*AF	UGLK1474
						173	-	GK	UGLK1406
						250	-	2*GK	UGLK1474
V-4324-8	3-way	1¼"	NPT	Mixing	No	221	-	AM	UGLK1402
					Yes	110	-	NF	UGLK1402
					163	221	AF	UGLK1402	
V-4332	3-way	½"	FLARE	PDTG	No	250	-	LM	UGLK1552
					Yes	250	-	LF	UGLK1552
V-5254-(1, 2, 3, 11)	2-way	1½"	NPT	PDTG	No	153	-	AM	UGLK1404
						250	-	GM	UGLK1404
						77	-	NF	UGLK1404
					Yes	113	153	AF	UGLK1404
						227	250	2*AF	UGLK1472
						250	-	GK	UGLK1404
V-5254-(4, 5, 6, 12)	2-way	2"	NPT	PDTG	No	86	-	AM	UGLK1406
						173	-	GM	UGLK1406
						250	-	2*GM	UGLK1474
					Yes	43	-	NF	UGLK1406
						64	86	AF	UGLK1406
						128	173	2*AF	UGLK1474
						173	-	GK	UGLK1406
						250	-	2*GK	UGLK1474
V-5464-(1, 2, 11)	2-way	1½"	NPT	PDTG	No	153	-	AM	UGLK1404
						250	-	GM	UGLK1404
						77	-	NF	UGLK1404
					Yes	113	153	AF	UGLK1404
						227	250	2*AF	UGLK1472
						250	-	GK	UGLK1404
V-5464-(3, 4, 12)	2-way	2"	NPT	PDTG	No	86	-	AM	UGLK1406
						173	-	GM	UGLK1406
						250	-	2*GM	UGLK1474
					Yes	43	-	NF	UGLK1406
						64	86	AF	UGLK1406
						128	173	2*AF	UGLK1474
						173	-	GK	UGLK1406
						250	-	2*GK	UGLK1474
V-5844-(1, 2, 3, 11)	3-way	1½"	NPT	Mixing	No	153	-	AM	UGLK1404
						250	-	GM	UGLK1404
						77	-	NF	UGLK1404
					Yes	113	153	AF	UGLK1404
						227	250	2*AF	UGLK1472
						250	-	GK	UGLK1404
V-5844-(4, 5, 6, 12)	3-way	2"	NPT	Mixing	No	86	-	AM	UGLK1406
						173	-	GM	UGLK1406
						250	-	2*GM	UGLK1474
					Yes	43	-	NF	UGLK1406
						64	86	AF	UGLK1406
						128	173	2*AF	UGLK1474
						173	-	GK	UGLK1406
						250	-	2*GK	UGLK1474

All close-off pressures listed are approximate and based on valve condition and application.



Valve Body Model	Valve Configuration	Size	Body Type	Flow	Failsafe	Close-Off psi	Close-Off psi (AFX Series)	Belimo Actuator Series (Sold Separately)	Belimo Linkage	
VG7XXX-(C, E, GT)	2-way	½"	NPT	-	No	250	-	LM	UGLK1416	
					Yes	250	-	LF	UGLK1416	
	3-way	½"	NPT	-	No	250	-	LM	UGLK1416	
					Yes	250	-	LF	UGLK1416	
VG7XXX-LT	2-way	¾"	NPT	-	No	217	-	LM	UGLK1416	
						250	-	NM	UGLK1416	
					Yes	169	-	LF	UGLK1416	
	3-way	¾"	NPT	-	No	217	-	LM	UGLK1416	
						250	-	NM	UGLK1416	
					Yes	169	-	LF	UGLK1416	
VG7XXX-NT	2-way	1"	NPT	-	No	122	-	LM	UGLK1418	
						244	-	NM	UGLK1418	
					Yes	95	-	LF	UGLK1418	
	3-way	1"	NPT	-	No	122	-	LM	UGLK1418	
						244	-	NM	UGLK1418	
					Yes	95	-	LF	UGLK1418	
VG7XXX-PT	2-way	1¼"	NPT	-	No	78	-	LM	UGLK1418	
						156	-	NM	UGLK1418	
					Yes	61	-	LF	UGLK1418	
	3-way	1¼"	NPT	-	No	78	-	LM	UGLK1418	
						156	-	NM	UGLK1418	
					Yes	61	-	LF	UGLK1418	
VG7XXX-RT	2-way	1½"	NPT	-	No	38	-	LM	UGLK1420	
							77	-	NM	UGLK1420
							153	-	AM	UGLK1422
							250	-	GM	UGLK1422
					Yes	30	-	LF	UGLK1420	
						77	-	NF	UGLK1422	
						113	153	AF	UGLK1422	
	3-way	1½"	NPT	-	No	38	-	LM	UGLK1420	
							77	-	NM	UGLK1420
							153	-	AM	UGLK1422
							250	-	GM	UGLK1422
					Yes	30	-	LF	UGLK1420	
						77	-	NF	UGLK1422	
						113	153	AF	UGLK1422	
VG7XXX-ST	2-way	2"	NPT	-	No	22	-	LM	UGLK1420	
							43	-	NM	UGLK1420
							86	-	AM	UGLK1422
							173	-	GM	UGLK1422
					Yes	17	-	LF	UGLK1420	
						43	-	NF	UGLK1422	
						64	86	AF	UGLK1422	
	3-way	2"	NPT	-	No	22	-	LM	UGLK1420	
							43	-	NM	UGLK1420
							86	-	AM	UGLK1422
							173	-	GM	UGLK1422
					Yes	17	-	LF	UGLK1420	
						43	-	NF	UGLK1422	
						64	86	AF	UGLK1422	
VTM-TN-(007, 019, 047)*Threaded Stem Only	2-way	½"	FLARE	-	No	250	-	LM	UGLK1550	
					Yes	250	-	LF	UGLK1550	
	3-way	½"	NPT	-	No	250	-	LM	UGLK1550	
					Yes	250	-	LF	UGLK1550	

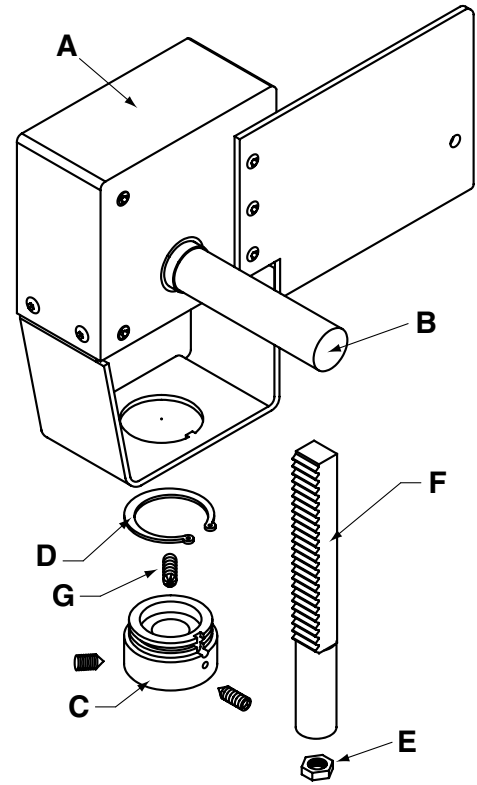
M40045 - 10/10 - Subject to change. © Belimo Aircontrols (USA), Inc.

All close-off pressures listed are approximate and based on valve condition and application.

**Assembly Sequence for Existing Valves**



The valve should be stripped down to its basic form, as shown. Note that many pneumatically operated valves have hardware that must be removed from the threaded bonnet area before measurements can be taken.



Follow these steps to properly assemble STYLE 4 type globe valves to the retrofit linkage. Reference the step-by-step photos to help guide you through the assembly process.

M40045 - 10/10 - SUBJECT TO CHANGE. © BELIMO AIRCONTROLS (USA), INC.



**STEP 1)** Remove system pressure from the valve. Remove the external packing nut.



**STEP 2)** Be sure to retain all packing components which may come loose from the valve during the retrofit process.



**STEP 3)** Be sure to remove all existing linkage components. \*JCI models may have an additional collar as shown.



**STEP 4)** Locate and identify the bonnet collar (C) and collar retaining ring (D).



**STEP 5)** Assemble the supplied collar (C) to the valve bonnet. It may be necessary to loosen the three retaining setscrews (G).

# UGLK/UGSP Series Globe Valve Retrofit Solution

Retrofitting STYLE 4 Globe Valves Typical for Johnson Controls and Other External Packing Nut Type Valves



**STEP 6)** Reattach the packing nut removed in step 1. Be sure to replace all packing materials that may have come loose during the retrofit process.



**STEP 7)** Assemble the supplied stem nut (E) to the valve stem, and thread at least 10 - 12 turns down onto the stem.



**STEP 8)** Attach the rack assembly (F), which may or may not include an extension or adapter, onto the valve stem. Thread the assembly as far down onto the valve stem as possible, until you contact the previously attached valve stem nut.



**STEP 9)** Use a 1/2" open end wrench, and an additional open end wrench sized to match the valve stem nut (E), to tighten the rack assembly (F) to the valve stem. Use the 1/2" open end wrench to attach to the smooth back side of the rack, opposite the teeth. This will prevent damage to the rack teeth during the tightening sequence.



**STEP 11)** After the linkage has been seated on the collar, turn the linkage until the key in the collar (C), lines up with and engages the key in the base of the linkage.



**STEP 12)** Attach the collar retaining ring (D) onto the collar, and press securely in place into the machined groove in the collar. You should hear a "snap" when the ring is fully seated.



**STEP 13)** Once the linkage is fully seated on the valve bonnet, tighten three setscrews (G) in the collar to affix the linkage onto the valve.

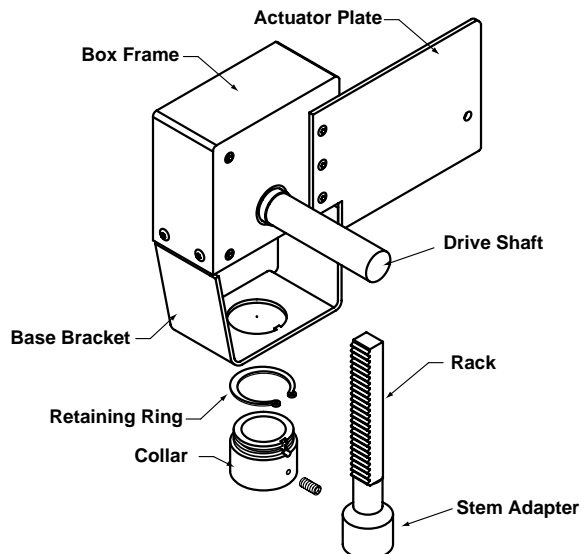
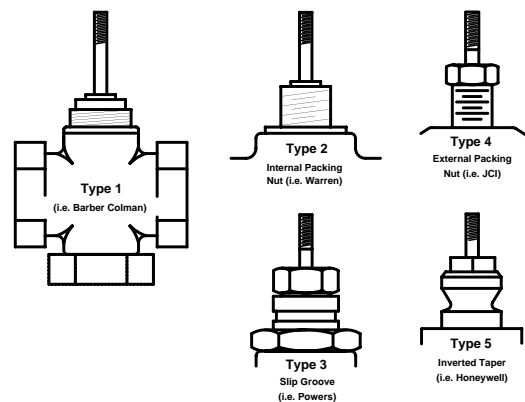
**STEP 14)** Check for full stem travel by turning the linkage drive shaft (B) fully clockwise (CW) and counter clockwise (CCW) until you feel the valve seat or hit travel limit stops in both directions. The shaft should turn freely without binding.

**STEP 15)** Turn the linkage drive shaft fully CW, and attach the actuator. This will position the linkage in the stem down position. Lightly snug up on the actuator's shaft clamp nuts. Turn the actuator CCW until you feel resistance due to the valve reaching end of travel. Notice the distance between the actuator's current position and the actuator's end of travel @ fully CCW. Loosen the actuator shaft clamp nuts, and rotate the actuator ONE-HALF the distance to its full CCW travel. Tighten the actuator's shaft clamp nuts securely. This procedure balances the valve travel limits within the range of motion of the actuator, thereby assuring unimpeded valve stem travel. When using an AF or NF actuator, a 5° offset may be necessary to ensure proper close off.

M40045 - 10/10 - SUBJECT TO CHANGE. © BELIMO AIRCONTROLS (USA), INC.

UGLK Collars			Most Commonly Used Valve Type				
Part Number	Inside Diameter	Description	Type 1	Type 2	Type 3	Type 4	Type 5
UGLK-COL-1005	1.000"	3 setscrews, for frame type		•			
UGLK-COL-1063	1.063"	3 setscrews, for frame type		•			
UGLK-COL-1100	1.100"	3 setscrews, for frame type, counterbored top				•	
UGLK-COL-1255	1.250"	3 setscrews, for frame type		•			
UGLK-COL-1315	1.315"	3 setscrews, for frame type, can be used with VB7 with shim			•		
UGLK-COL-1375	1.375"	3 setscrews, for frame type		•			
UGLK-COL-BC10	1.250" - 16 Thd.	Fits Siebe VB7/VB9. Use on frame type only	•				
UGLK-COL-HY02	1.375"	1 setscrew, for frame type					•
UGLK-COL-LG02	1.740"	1 setscrew, for frame type			•		
UGLK-COL-LG04	1.740"	1 setscrew, for frame type			•		
UGLK-COL-JC05	1.070"	3 setscrews, for frame type		•			
UGLK-COL-JC06	1.562" - 14 Thd.	Threaded, brass		•			
UGLK-COL-JC08	0.760"	3 setscrews, for frame type, counterbored top				•	
UGLK-COL-JC15	1.070"	Ring, no setscrews		•			
UGLK-COL-0880	0.880"	3 setscrews, for frame type, counterbored top				•	
UGLK-COL-WNUT	1.375" - 20 Thd.	Replacement Warren nut. Will not go over damaged threads		•			
UGLK-COL-AD01	1.250" - 16 Thd.	Fits Siebe VB7/VB9. For VB7 frame only	•				
UGLK-COL-UNIV	Custom	3 setscrews, for frame type. Must be machined		•	•	•	•

UGLK Stem Adapters			Most Commonly Used Valve Type				
Part Number	Inside Diameter	Description	Type 1	Type 2	Type 3	Type 4	Type 5
UGLK-STM-1800	1/4" - 28 Stem Thd.		•	•	•	•	•
UGLK-STM-1801	3/8" - 24 Stem Thd.		•	•	•	•	•
UGLK-STM-1802	1/2" - 20 Stem Thd.		•			•	•
UGLK-STM-1803	7/16" - 20 Stem Thd.						•
UGLK-STM-1501	3/8" - 24 Stem Thd.	For Warren FLG valves with UGLK		•			
UGLK-STM-1805	3/8" OD Grooved	Landis 2.5-3" -599 Series			•		
UGLK-STM-2305	1/2" OD Grooved	Landis 4-6" -599 Series			•		
UGLK-STM-UNIV	Custom	Must be machined	•	•	•	•	•

**UGLK Stem Adapters**

**UGLK Collars**


M40045 - 10/10 - SUBJECT TO CHANGE. © BELIMO AIRCONTROLS (USA), INC.