



## Features & Options

- Makes mounting of averaging sensors quick and easy
- Eliminates risk of kinking and damaging the probe
- Scored break off for 1/4" rigid probe mounting
- Nylon material limits heat/cold conduction to the probe

The Flexible Probe Bracket (FPB) is used to mount averaging sensors, low limit thermostats, or liquid fill thermostats in duct applications for probe diameters from 1/8", 1/4" and 3/8".

The bracket is used to reverse the direction of the flexible probe with a smooth arc to eliminate the risk of kinking the sensor and damaging the probe.

A fixed 1/4" probe may also be mounted as part of the bracket design using the scored break-off. The FPB is made out of tough UL94 V-2 Nylon which limits heat/cold conduction to the probe and has multiple mounting holes to make mounting quick and easy.



FPB - Flexible Probe Bracket

## Ordering Information

| Part Number | Description                | List Price |
|-------------|----------------------------|------------|
| BA/FPB-50   | 50 Flexible Probe Brackets | \$182      |

Gray shaded items follow the Buy and Resale Multiplier.

Submittal datasheets without List Prices are available on the BAPI website.

## Specifications

**Material:** Nylon

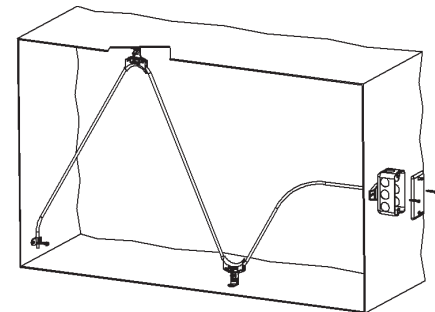
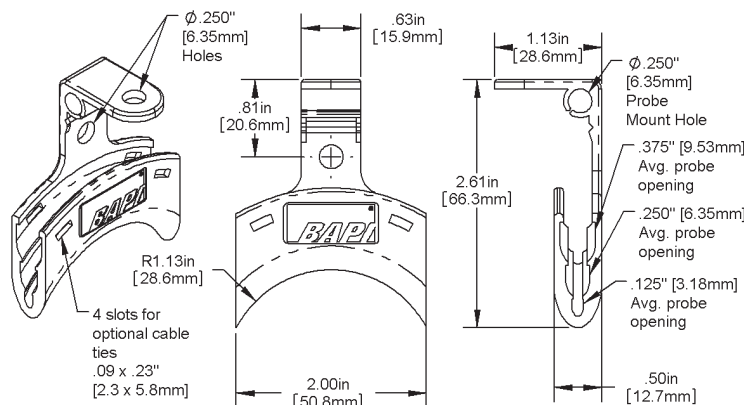
**Rating:** UL94 V-2 (plenum rated), RoHS Compliant

**Mounting:** Two 1/4" holes, on the top and side.

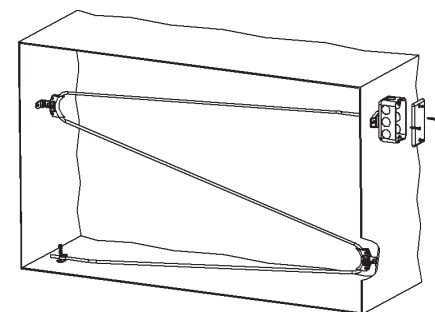
**Probe Size:** 1/8", 1/4", and 3/8" flexible probes  
1/4" rigid probe holder, w/break off score

**Bracket Arc:** 1.125" radius

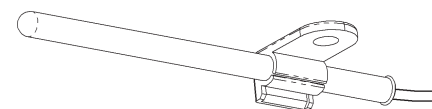
**Operational Temp:** -22 to 167°F, (-30 to 75°C)



Vertical Mounting of the Averaging Sensor



Horizontal Mounting of the Averaging Sensor



1/4" Rigid Probe Mounting (using scored break off)