

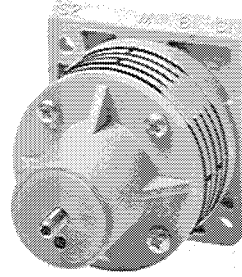
Schneider Electric Pneumodular Volume Booster & Pressure Selector Relays General Instructions

The 2372-501 Volume Booster Relay is a proportioning device designed for use in pneumatic control systems where the application requires amplifying the volume of control air to final control devices. System transmission lag is minimized by using this relay in conjunction with a proportional controller operating several diaphragm valves or damper actuators.

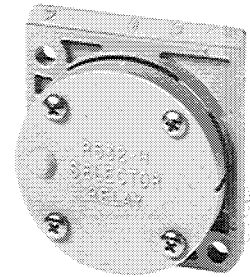
This device may also be used as a low pressure selector when the application requires the comparison, selection, and transmission of the lower of two proportional input signals.

A bias adjustment is provided which allows the branch output to be advanced or retarded up to 5 psig from the true signal.

The 2372-502 High Selector Relay is a device designed for use in pneumatic control systems where the application requires the comparison, selection, and transmission of the higher of two proportional input signals.



2372-501



2372-502

Table-1 Ordering Data.

Schneider Electric UNI-LINE Number	Replaces Model	Description
2372-501	R532-L	Volume booster or low pressure selector
2372-502*	R532-H-2 2372-502	High pressure selector
22-150	K502	Optional mounting bracket

Note: Includes plastic mounting strap and adhesive-backed mounting base.

***Caution:** When replacing 2372-502 mounted on a 22-120 manifold socket, the air connections to S1 and B ports on the socket must be reversed.

Table-2 Active Connections.

Port	Connected To
M ^a	Main air or input signal No.2
B ^b	Branch output
S1	Input signal No.1
S2 ^c	Input signal No.2

^a 2372-501 only.

^b 2372-502 only: The output (from B port) of the 2372-502 H.P. Selector should be fed only to closed chambers, such as actuator diaphragms and/or the non-air-using input ports of other pneumatic controllers or relays (i.e. B port should not feed pneumatic lines which have a continuous bleed). The 2372-502 is a low capacity device; for some applications, a volume booster relay may be required.

^c 2372-502 only.

SPECIFICATIONS

Action: proportional

Adjustment:

2372-501, output may be advanced or retarded ± 5 psig

2372-502, none

Main air pressure: 20 psig operating

2372-501, 30 psig maximum

2372-502, 25 psig maximum

Air capacity:** 8 scfh

Air consumption:** 29 scim

Maximum ambient temperature: 140°F

Mounting: Designed for use on 22-120 Schneider Electric Pneumodular manifold socket. These devices can also be surface mounted by using the appropriate mounting bracket (see Mounting Instructions)

Connections: Barbed nipples for 1/4" OD polyethylene or 5/32" ID polyurethane tubing

Material: Glass-filled nylon

**Applies to 2372-501 only.

GENERAL INSTRUCTIONS

These devices are to be used on clean, dry, oil free control air only and will operate properly when mounted in any position.

The inherent reliability of these devices is enhanced and prolonged through regular inspection and preventive maintenance by a qualified control expert. Should any device become inoperative, it should be replaced by a new unit.

Caution: This device should be installed by a qualified service technician with due regard for safety, as improper installation could result in a hazardous condition.

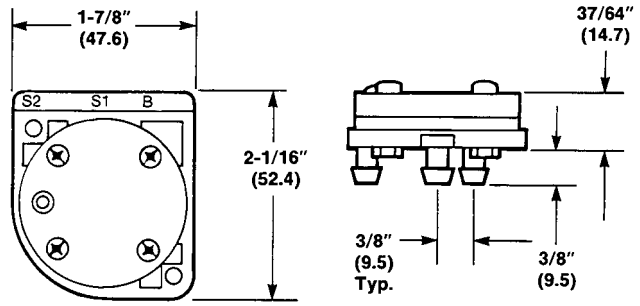
MOUNTING INSTRUCTIONS & DIMENSIONS

Panel Mounting

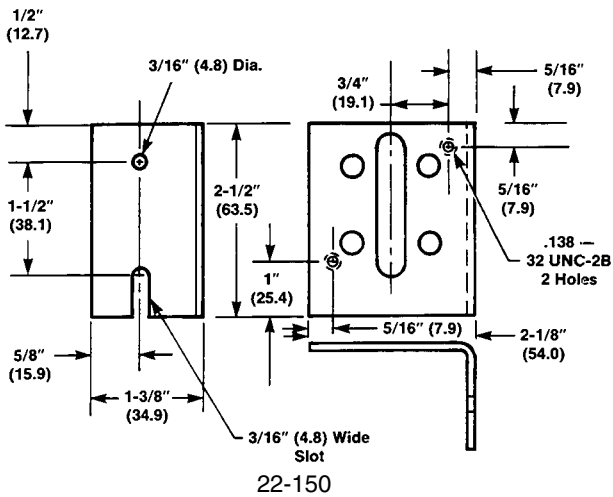
These devices have been designed to be mounted in a Schneider Electric Pneumodular manifold socket. One socket, one gasket, and two mounting screws are required in addition to the appropriate manifold backplate. Refer to the Schneider Electric Pneumodular Parts and Accessories Data Sheet for complete ordering information.

Surface or Field Mounting

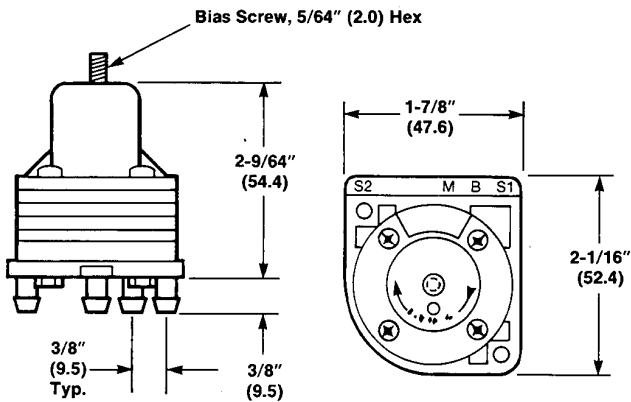
These devices may also be mounted without the backplate, socket, and gasket to replace competitive and old Robertshaw devices by using an optional 22-150 mounting bracket or by using the plastic mounting strap and adhesive base provided with the device.



2372-502

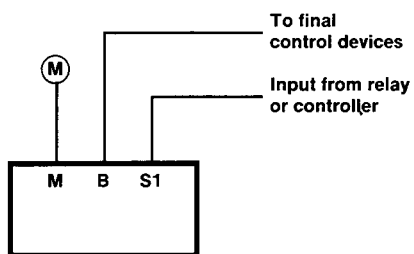


22-150

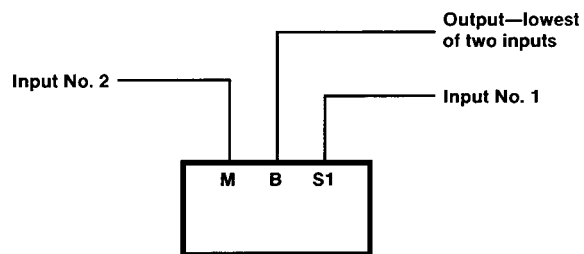


2372-501

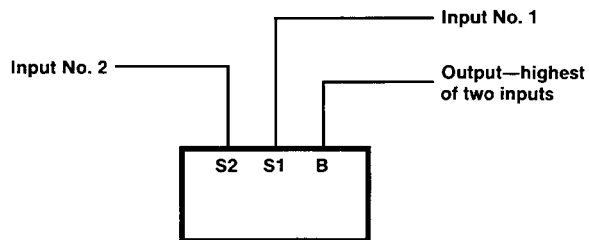
Typical Applications



2372-501 AS A VOLUME BOOSTER RELAY



2372-501 AS A LOW PRESSURE SELECTOR RELAY



2372-502 HIGH PRESSURE SELECTOR

On October 1st, 2009, TAC became the Buildings business of its parent company Schneider Electric. This document reflects the visual identity of Schneider Electric, however there remains references to TAC as a corporate brand in the body copy. As each document is updated, the body copy will be changed to reflect appropriate corporate brand changes.

Copyright 2011, Schneider Electric
All brand names, trademarks and registered
trademarks are the property of their respective
owners. Information contained within this
document is subject to change without notice.

Schneider Electric
1354 Clifford Avenue
P.O. Box 2940
Loves Park, IL 61132-2940
www.schneider-electric.com/buildings

