

The 2364-211 and 2342-220 Pneumatic Electric Relays are used in control systems requiring conversion of gradual air pressure changes to positive electrical switching actions. Typical applications are starting/stopping unit ventilators, fan coil motors, unit heaters, and air handling unit fans.

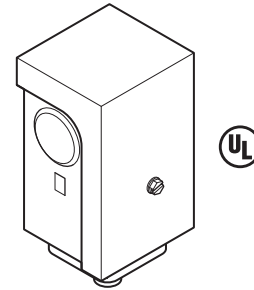
These relays incorporate a nonmetallic diaphragm that is displaced by air pressure changes. The diaphragm in turn operates a single heavy-duty SPDT switch in the 2364-211 and a DPDT* switch in the 2364-220.

* Two SPDT switches which switch simultaneously.

ORDERING DATA

TAC Number	Replaces Model	Switch Action
2364-211	R471-1	SPDT
2364-220	R472-1	DPDT*

* Two SPDT switches which switch simultaneously.



INSTALLATION INSTRUCTIONS

PRE-INSTALLATION INSTRUCTIONS

1. Use on control air only.
2. This relay will operate mounted in any position.
3. Any electrical loads exceeding the relay's rating should be controlled by intermediate relays, contactors or motor starters.
4. Allow at least 9 feet of tubing between transmitting device and relay.
5. When connecting the plastic tubing to the relay, be sure to use the spring clip provided.

WIRING AND MOUNTING INSTRUCTIONS

1. Electrical wiring must comply with all applicable codes.
2. Turn off all power before removing defective device or installing new units.
3. These relays may be mounted in any position. Mount the control using the two mounting holes provided in the back of the enclosure. See Figure 1.
4. The 2364-211 contains one SPDT switch and model 2364-220 contains two SPDT switches which switch simultaneously. Switches in both models are wired as follows:

Open on decrease in pressure — wire to terminals common and open.

Close on decrease in pressure — wire to terminals common and close.

SET POINT ADJUSTMENT

Set point adjustment is accomplished with the cover removed, by rotating the slotted adjustment disc as needed to align it with the desired pressure point as indicated on the adjacent scale. See Figure 1.

If greater accuracy is required, connect a pressure gauge in the pneumatic line and adjust for switch actuation at the appropriate actual line pressure.

SPECIFICATIONS

Switch action

2364-211	SPST
2364-220	DPDT*

Electrical rating (per switch)

20 amps non inductive at 120, 240, 480 Vac.
1 hp at 125 Vac, 2 hp at 240 Vac

Setpoint

2364-211	2 to 25 psig (13.8 to 172.4 kPa)
2364-220	4 to 20 psig (27.6 to 137.8 kPa)

Differential

2364-211	2.0 psig (13.8 kPa) nominal, fixed
2364-220	2.5 to 3.0 psig (17.2 to 20.7 kPa) nominal, fixed

Conduit opening 1/2" conduit

Air connection nipple for 1/4" plastic tubing

Maximum air pressure 30 psig

* Two SPDT switches which switch simultaneously. UL listed.

MOUNTING DIMENSIONS

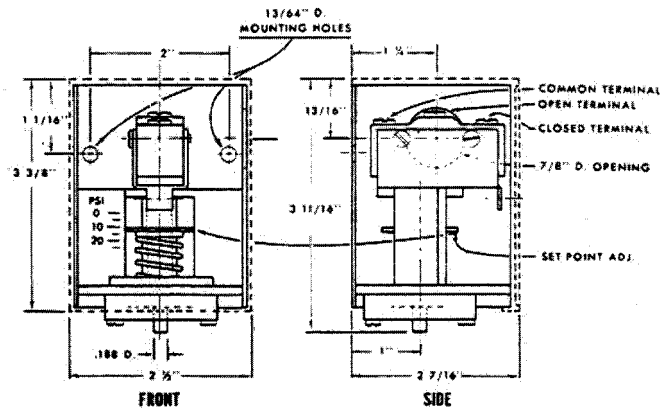


Figure-1

Caution: This device should be installed by a qualified service technician with due regard for safety, as improper installation could result in a hazardous condition.

On October 1st, 2009, TAC became the Buildings business of its parent company Schneider Electric. This document reflects the visual identity of Schneider Electric, however there remains -references to TAC as a corporate brand in the body copy. As each document is updated, the body copy will be changed to reflect appropriate corporate brand changes.

Copyright 2009, Schneider Electric
All brand names, trademarks and registered trademarks are the property of their respective owners. Information contained within this document is subject to change without notice.

Schneider Electric
1354 Clifford Avenue
P.O. Box 2940
Loves Park, IL 61132-2940
www.schneider-electric.com/buildings

Schneider
Electric