



Control Cabinets

Application

Control cabinets for mounting of electric, electronic and pneumatic controls.

Specifications

Construction:

Doors, Locking type, with keys, rigidly supported. The doors easily removed for protection on job site installation or mounting of components. See Table 1.

Steel Gauge, See Table 1.

Knockouts, Aligned so that a short nipple may be used to couple the panels. See Table 1.

Appearance, See Table 1.

Locations: NEMA Type 1 indoor only.

Mounting: Four extruded mounting holes 1/4" (6 mm).

Dimensions: See Table 1.

Accessories:

None.

Maintenance Parts

BYZP-268 Replacement lock for AE-630 thru AE-632

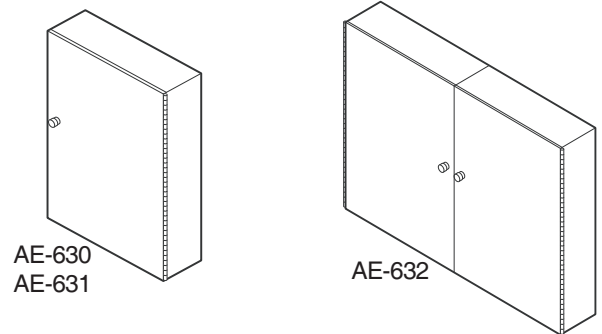


Table-1 Specifications.

| Part Number | Door | | Steel Gauge | Subpanel | Finish | Knockouts | Dimensions in. (mm) |
|-------------|-----------------------------|-----------------------|-------------|--|-------------|-------------------------------------|---|
| | Type | Opening | | | | | |
| AE-630 | Single, Continuously Hinged | Right or Left-handed | 18 | AE-630-101 or Obtain Locally | Beige Paint | For 3/4" conduit, two on each side. | 16 wide x 24 high x 7 deep (406 x 610 x 178) |
| AE-631 | Single, Continuously Hinged | Right or Left-handed | 18 | AE-631-101 or Obtain Locally | | | 24 wide x 32 high x 7 deep (610 x 813 x 178) |
| AE-632 | Double, Continuously Hinged | Right and Left-handed | 16 | Obtain Locally, one or two subpanels may be used | | | 42 wide x 36 high x 7 deep (1067 x 914 x 178) |

Table-2 Subpanels.

| Part Number | Description | Dimensions in. (mm) |
|-------------|--|-----------------------------------|
| AE-630-101 | Subpanel for AE-630, 16 gauge, perforated for #8 Type A sheet metal screws, flanged. | 14-1/2 wide x 20 high (368 x 508) |
| AE-631-101 | Subpanel for AE-631, 16 gauge, perforated for #8 Type A sheet metal screws, flanged | 22-1/2 wide x 28 high (572 x 711) |

Pre-Installation

Inspection

Visually inspect the carton for damage. If damaged, notify the appropriate carrier immediately. If undamaged, open the carton and visually inspect the device for obvious defects. Return damaged or defective products. Check the part number on the unit to be sure the correct panel is being installed.

Required Installation Items

- Tools (not provided):
 - Appropriate screwdriver for mounting screws
 - Appropriate drill and drill bit for mounting screws
- Appropriate subpanel
- Mounting screws (not provided)

Installation

Caution:

Installer must be a qualified, experienced technician

Avoid locations where excessive moisture, corrosive fumes or vibration are present. NEMA Type 1 enclosures are intended for indoor use primarily to provide a degree of protection against contact with the enclosed equipment.

Grounding

Caution: Green grounding wire from conduit must be securely fastened to subpanel. Painted surface of subpanel must be broken to assure proper grounding.

Mounting

1. Remove panel cover.
2. Mounting panel:
 - a. **To mount the wall section on a concrete, concrete block or masonry wall**, mark and drill tight-fitting holes for 1/4" lag bolts in lead anchors. The anchors should be placed in the block, brick or other masonry, not in mortar joints (Figure 2). To mount the unit on a wood frame, use 1/4" diameter lag bolts screwed into either the framing itself (Figure 3) or into 3/4" (19mm) thick wood or plywood backing board securely fastened to the framing (Figure 3).
 - b. **To mount on metal framed walls**, mount the controller to a backing board as described in step 2a or mount directly to framing (Figure 5). The backing board should be mounted to the framing with screws and expansion sleeves in drilled holes.
3. Replace panel door.

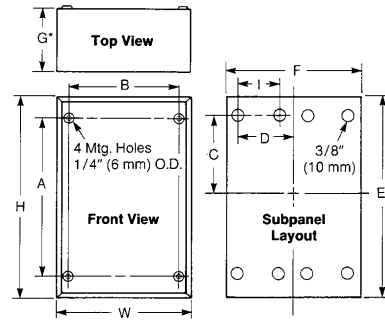
On October 1st, 2009, TAC became the Buildings business of its parent company Schneider Electric. This document reflects the visual identity of Schneider Electric, however there remains references to TAC as a corporate brand in the body copy. As each document is updated, the body copy will be changed to reflect appropriate corporate brand changes.

Copyright 2009, Schneider Electric
All brand names, trademarks and registered trademarks are the property of their respective owners. Information contained within this document is subject to change without notice.

Schneider Electric
1354 Clifford Avenue
P.O. Box 2940
Loves Park, IL 61132-2940

www.schneider-electric.com/buildings

F-15609-15



| Cabinet Part Number | Dimensions (Inches)† | | | | | | | | | |
|---------------------|----------------------|----|----|--------|----------|--------|--------|----|----|----|
| | Cabinet | | | | Subpanel | | | | | |
| | W | H | G* | A | B | C | D | E | F | I |
| AE-630 | 16 | 24 | 7 | 18-1/2 | 13 | 9-1/4 | 6-1/2 | 22 | 14 | — |
| AE-631 | 24 | 32 | 7 | 26-1/2 | 21 | 13-1/4 | 10-1/2 | 30 | 22 | — |
| AE-632 | 42 | 36 | 7 | 33 | 39 | 16-1/2 | 18 | 34 | 40 | 15 |

†Metric Conversion: 1" = 25.4 mm.

*Usable depth 1/2" less than G dimension.

Figure-1 Mounting Dimensions.

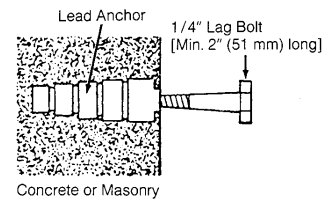


Figure-2 Mounting on Concrete, Concrete Block or Masonry Wall.

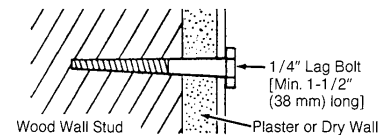


Figure-3 Mounting to Wood Framing.

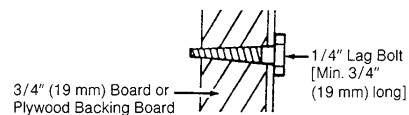


Figure-4 Mounting on Backing Board.

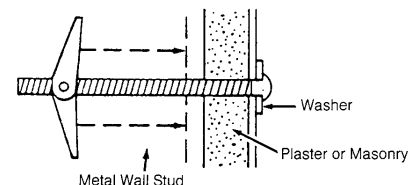


Figure-5 Mounting on Metal-Framed Wall.

Schneider
Electric