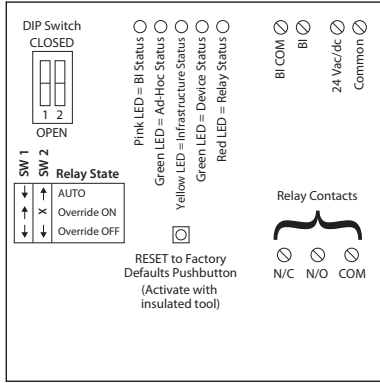


RIBTW24B-WI-N4

Enclosed Wifi IEEE 802.11 Network Enclosed I/O Device: One Discrete Output (20 Amp Relay SPDT + Override), One Discrete Input (Dry Contact, Class 2); 24 Vac/dc



Network Compatible Relay



Shown With Cover



Code Version 3.3.9

Specifications

- # Relays & Contact Type:** One (1) SPDT Continuous Duty Coil
- Expected Relay Life:** 10 million cycles minimum mechanical
- Operating Temperature:** -30 to 140° F
- Operate Time:** 18ms
- Pink LED:** Digital Input Status
- Green LED:** Wifi Ad-Hoc Status
- Yellow LED:** Wifi Infrastructure Status
- Green LED:** Device Status
- Red LED:** Relay Status
- Dimensions:** 4.28" x 7.00" x 2.00" with .75" NPT Nipple
- Approvals:** UL Listed, UL916, C-UL
FCC, CE, RoHS, Wifi Certified ASD Device
- Housing Rating:** UL Accepted for Use in Plenum, NEMA 4
- Gold Flash:** No
- Relay Override Switch:** DIP Switch Control
- Wifi:** IEEE 802.11 b/g/n Compatible, (G)
54 Mbps Data Rate
-95 dBm Min. Sensitivity
+16 dBm Max Output Power
Currently Unsecured Connection (WPA-PSK or WPA-2-PSK Available)
Supports PING and ARP
DSSS Modulation

- Contact Ratings:**
20 Amp Resistive @ 277 Vac
20 Amp Ballast @ 277 Vac
16 Amp Electronic Ballast @ 277 Vac (N/O)
10 Amp Tungsten @ 120 Vac (N/O)
2 HP @ 277 Vac
1 HP @ 120 Vac

- Power Input Ratings:**
200 mA Max @ 24 Vac
200 mA Max @ 24 Vdc

- Available TCP/IP Settings:**
 - IP Address (Static)
 - Port Number
 - Subnet Mask
 - Gateway Address
 - Ad-Hoc mode
 - Infrastructure mode
 - Scan for wireless networks

- Device Settings:**
 - Local Override
 - Reset to Network Defaults Pushbutton

- Power Input:**
24 Vac = Terminal Strip (20 Vac min. ; 28 Vac max.)
24 Vdc = Terminal Strip (24 Vdc min. ; 28 Vdc max.)

- Device Settings by Network:**
 - Power up default relay state
 - Host name and location labels
 - Relay bound to digital input

• Setup instructions available on website.

http://www.functionaldevices.com/pdf/bulletins/B1802_393224.pdf



Or scan QR code with your smart phone.