

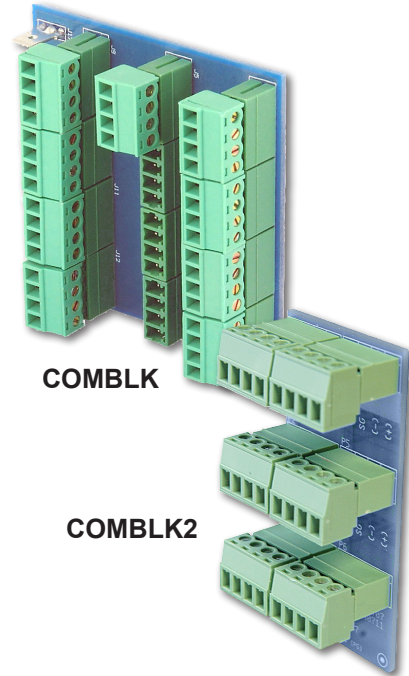


Overview

The COMBLK and COMBLK2 Communication Terminal Blocks simplify the task of terminating communications wiring.

The COMBLK has four independent circuits and the COMBLK2 two independent circuits. Each independent circuit includes three connectors — bus in, bus out and wiring to the controller. Either COMBLK allows the in and out bus segments to be quickly isolated and tested, thus greatly simplifying the troubleshooting. A common ground connector provides an easy way to ground all shield drain wires. Also, both COMBLKs accommodate the COMSRG surge suppressor, which plugs directly inline between the COMBLK and the communications bus segment terminated on the plug.

Either COMBLK is suitable for RS-485 wiring, Modbus, BACnet or virtually any other communications standard that talks over two or three wires. The small size of the COMBLK2 makes it ideal for installing within VFD enclosures, power meter cabinets, etc. where Modbus or other protocol communication must be connected to a remote communicating device. Both fit into industry standard 2.75" snaptrack and COMBLK2 is furnished with a TRK02.



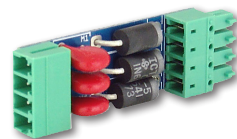
Part Number	Description	List Price
BA/COMBLK.....	Comm. Cable Terminal Block (NEC Class 2 Circuits, 4 Amp max.).....	\$65
BA/COMBLK2.....	Comm. Cable Terminal Block (NEC Class 2 Circuits, 4 Amp max.).....	\$53

Submittal datasheets without List Prices are available on our website at www.bapihvac.com

Associated Products

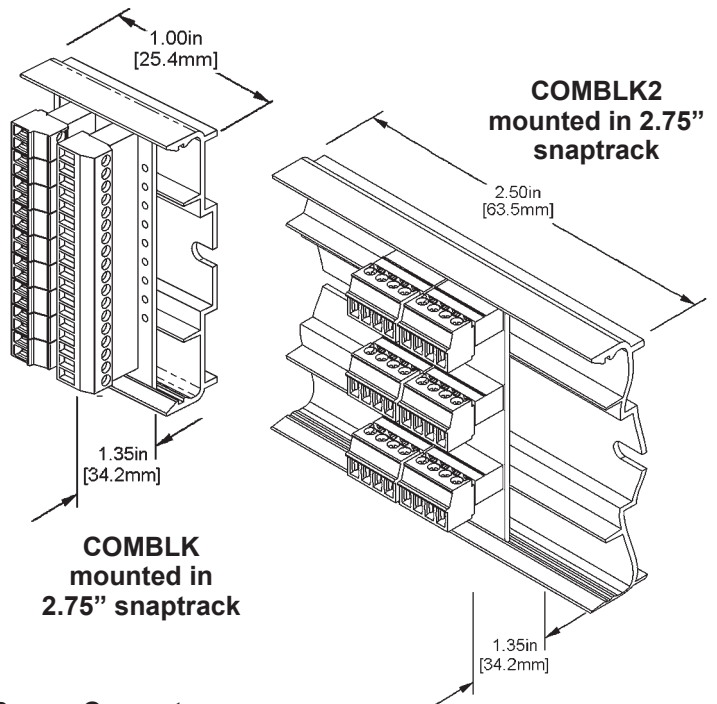


TRK18
Snaptrack
(p. G18)



COMSRG
- Communication Surge
Protector
(p. G21)

Specifications



Power Current:
NEC Class 2 Circuits, 4 Amp max.