



## Features & Options

- Modbus Serial Communications Protocol
- BAPI-Stat 4 Style Enclosure with Optional Large Display
- Robust Tactile Pushbuttons on Display Units
- Setpoint Adjustment on Display Unit with Optional Humidity Measurement, Fan Speed Control and Occupant Override
- Five Year Warranty

The BAPI-Stat 4MB unit features an optional large LCD with all the visual indicators on the display itself. Display units provide local indication of temperature with temperature setpoint adjustment and optional occupant override.

The unit is also available with humidity measurement and fan speed/mode adjustment for applications with fan coils, heat pumps or unit ventilators.

### VC350A “EZ” - Voltage Converter

BAPI recommends using DC power on room units for a more stable reading. Our 350mA “EZ” unit is a perfect way to convert 24 VAC to 5, 12, 15 or 24 VDC. See “Accessories” for more info.



BAPI-Stat  
4MB  
Units

## Specifications

### Power:

9 to 40 VDC (24 VDC nominal)

24 VAC +20%/-30%.

Note: AC power requires a separate pair of shielded wires.

### Power Consumption:

7 mA max DC; .28 VA maximum AC

### Sensing Element:

Thermistor or Semiconductor

### Sensor Accuracy:

Temp:  $\pm 0.3^{\circ}\text{C}$  @ 20 to 40 $^{\circ}\text{C}$  (68 to 104 $^{\circ}\text{F}$ )

%RH:  $\pm 2\%$ RH @ 25 $^{\circ}\text{C}$  (77 $^{\circ}\text{F}$ ), 20 to 80%RH

**Wiring:** 2 pair of 14 to 22 AWG\*

### Mounting:

Standard 2" by 4" J-box

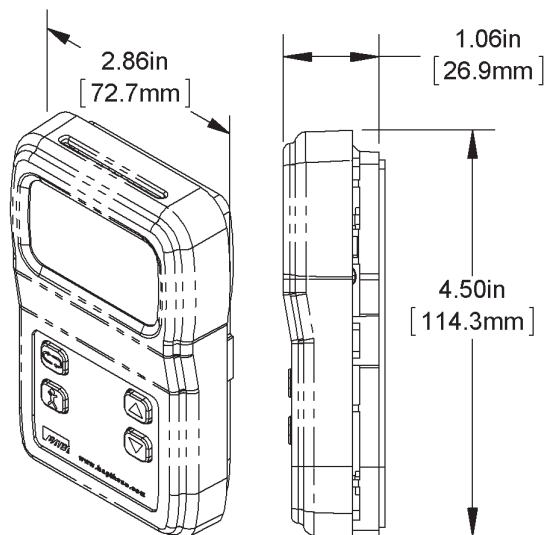
or drywall mount (screws provided)

### Environmental Operation Range:

Temperature: 32 to 122  $^{\circ}\text{F}$  (0 to 50  $^{\circ}\text{C}$ )

Humidity: 0 to 95%, non-condensing

**Agency:** RoHS and CE



\*BAPI recommends that you do not run wiring for the Room Units in the same conduit as line voltage wiring or with wiring used to supply highly inductive loads such as motors, generators and coils. Also, these units are not designed for line voltage applications.





Use the Option Selection Guide below to create your custom part number. Replace the number and parenthesis with the designator for each selection. Skip the designator and dashes for optional selections that are not required in your configuration.

### **BAPI-Stat 4 Modbus Sensor Option Selection Guide:**

BA/BS4MB( **#1** ) - ( **#2** ) - ( **#3** ) - ( **#4** ) - ( **#5** )

**#1: Display** (required)

- F ..... Display with Temperature in °F
- C ..... Display with Temperature in °C
- X ..... No Display

**#2: Setpoint** (required for display units)

- C ..... 50 to 90 °F or 10 to 32 °C
- D ..... 55 to 85 °F or 13 to 30 °C
- E ..... 60 to 80 °F or 15 to 27 °C
- F ..... 65 to 80 °F or 18 to 27 °C
- G ..... 45 to 96 °F or 7 to 36 °C
- L ..... 70 to 74 °F or 21 to 23 °C

**#3: Humidity Measurement** (required)

- HN ..... No Humidity Measurement
- H2 ..... Humidity Measurement

**#4: Fan Speed and Mode Control** (required)

- FN ..... No Fan Speed Adjustment
- F0 ..... Fan Speed Mode 0 (available for display units only)
- F1 ..... Fan Speed Mode 1 (available for display units only)

**#5: Override** (required)

- J ..... Override Enabled (available for display units only)
- Z ..... No Override

*Additional options are available for these units but not shown in this Selection Guide. Contact your BAPI representative for the complete list of options. Submittal sheets without List Prices can be downloaded from our website at [www.bapihvac.com](http://www.bapihvac.com)*

**Example Number:** BA/**BS4MB( F ) - ( E ) - ( H2 ) - ( FN ) - ( J )**

**Actual Number (with parenthesis removed):** BA/BS4MBF-E-H2-FN-J

**Description:** BAPI-Stat 4MB Unit with Pushbutton Setpoint, °F Display, 60 to 80°F Setpoint Display Range, Humidity Measurement, No Fan Speed Adjustment, Override Enabled.

**Your Number:** BA/

