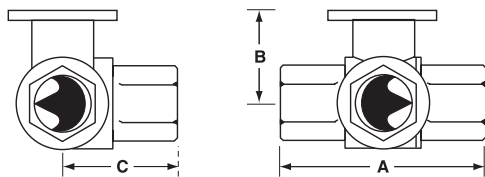




Technical Data	
Service	chilled or hot water, 60% glycol
Flow characteristic	A-port equal percentage B-port modified for constant common port flow
Action	90° rotation
Sizes	½", ¾", 1", 1¼", 1½", 2"
Type of end fitting	NPT female ends
Materials:	
Body	forged brass, nickel plated
Ball	stainless steel
Stem	stainless steel
Seats	PTFE
Characterizing disc	Tefzel®
Packing	2 EPDM O-rings, lubricated
Body Pressure rating	
600 psi	½" - 1"
400 psi	1¼" - 2"
Media temp. range	0°F to 212°F [-18°C to 100°C]
Close off pressure	
200 psi	½" - 2"
Maximum differential pressure (ΔP)	30 psi for typical applications
Leakage	0% for A to AB <2.0% for B to AB
C _v rating	A-port: see product chart for values B-port: 70% of A to AB C _v

Tefzel® is a registered trademark of DuPont

Dimensions



Valve Nominal Size Dimensions (Inches [mm])

Valve Body	Inches	DN [mm]	A	B	C
B307-B311	½"	15	2.41" [61.1]	1.39" [35.2]	1.20" [30.6]
B312-B315	½"	15	2.38" [60.4]	1.72" [43.7]	1.26" [32.1]
B317-B320	¾"	20	2.73" [69.3]	1.81" [45.9]	1.45" [36.8]
B322-B325	1"	25	3.09" [78.4]	1.81" [45.9]	1.56" [39.8]
B329-B331	1¼"	32	3.96" [100.6]	2.21" [56.2]	2.14" [54.3]
B338-B341	1½"	40	4.39" [111.6]	2.45" [62.2]	2.33" [59.1]
B347-B352	2"	50	4.90" [124.5]	2.68" [68.0]	2.60" [66.0]

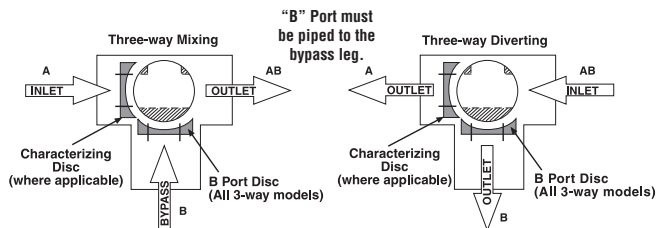
Application

This valve is typically used in air handling units on heating or cooling coils, and fan coil unit heating or cooling coils. Some other common applications include Unit Ventilators, VAV box re-heat coils and bypass loops. This valve is suitable for use in a hydronic system with variable or constant flow.

C _v	Valve Nominal Size		Type	Suitable Return Actuators			
	Inches	DN [mm]	3-Way NPT	Non-Spring		Spring	
0.3	½"	15	B307	TR Series	LR Series	NR...N4 Series	TF Series
0.46	½"	15	B308				
0.8	½"	15	B309				
1.2	½"	15	B310				
1.9	½"	15	B311				
3	½"	15	B312				
4.7	½"	15	B313				
10	½"	15	B315*				
4.7	¾"	20	B317				
24	¾"	20	B320*				
7.4	1"	25	B322	AR Series	AR...N4 Series	LF Series	
10	1"	25	B323				
30	1"	25	B325*				
10	1¼"	32	B329				
19	1¼"	32	B330				
25	1¼"	32	B331				
19	1½"	40	B338				
29	1½"	40	B339				
37	1½"	40	B340				
46	1½"	40	B341				
29	2"	50	B347	AF Series			
37	2"	50	B348				
46	2"	50	B349				
57	2"	50	B350				
68	2"	50	B351				
83	2"	50	B352				

*Models without characterizing disc

Flow Patterns





Models

LF24 US	
LF24-S US	w/built-in Aux. Switch
LF120 US	
LF120-S US	w/built-in Aux. Switch

Technical Data

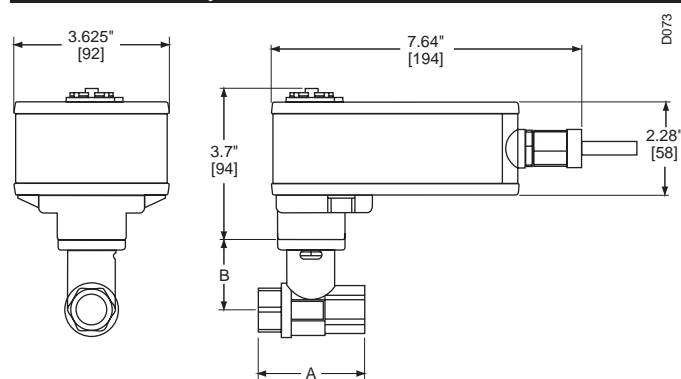
Control	On/Off, Floating
Power supply	
LF24(-S) US	24 VAC ± 20% 50/60 Hz 24 VDC ± 10%
LF120(-S) US	120 VAC ± 10% 50/60 Hz
Power consumption	
LF24(-S) US	running 5 W holding 2.5 W
LF120(-S) US	running 5.5 W holding 3.5 W
Transformer sizing	
LF24(-S) US	7 VA, class 2 power source
LF120(-S) US	7.5 VA, class 2 power source
Electrical connection	½" conduit connector 3 ft [1m], 18 GA appliance cable
Electrical protection	120V actuators double insulated
Overload protection	electronic throughout rotation
Angle of rotation	95°
Spring return direction	reversible with CW/CCW mounting
Position indication	visual indicator 0° to 90°
Running time	motor <40 to 75 sec. (on-off) spring <25 sec. @-4°F to 122°F [-20°C to 50°C] <60 sec. @-22°F [-30°C]
Ambient temperature	-22° F to 122° F [-30° C to 50° C]
Housing	NEMA 2
Agency listings†	UL 873, CSA C22.2 No. 24 certified, CE
Noise level (max)	running <30 db(A) spring return 62 db(A)
Quality standard	ISO 9001

LF...S US

Auxiliary switch	1 x SPDT, 6A (1.5A) @ 250 VAC, UL Listed, adjustable 0° to 95° (double insulated)
------------------	-----------------------------------------------------------------------------------

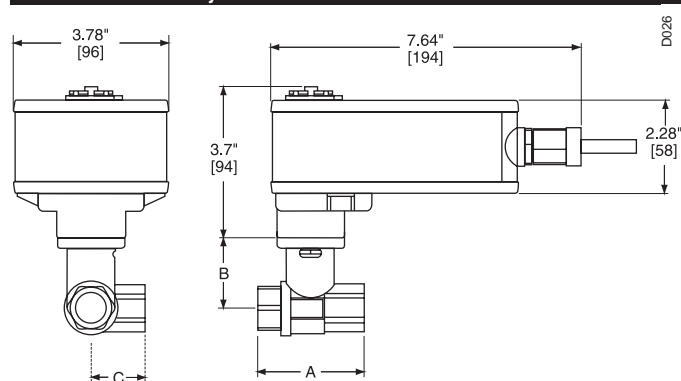
† Rated impulse voltage 800V (4kV for 120V model), Control pollution degree 3, Type of action 1.AA (1.AA.B for -S models)

Dimensions with 2-Way Valve



Valve Body	Valve Nominal Size		Dimensions (Inches [mm])	
	Inches	DN [mm]	A	B
B207(B)-B211(B)	½"	15	2.41" [61.1]	1.39" [35.2]
B212(B)-B215(B)	½"	15	2.38" [60.4]	1.72" [43.7]
B217(B)-B220(B)	¾"	20	2.73" [69.3]	1.81" [45.9]
B222-B225	1"	25	3.09" [78.4]	1.81" [45.9]
B229-B230	1¼"	32	3.72" [94.6]	1.81" [45.9]

Dimensions with 3-Way Valve



Valve Body	Valve Nominal Size		Dimensions (Inches [mm])		
	Inches	DN [mm]	A	B	C
B307(B)-B311(B)	½"	15	2.41" [61.1]	1.39" [35.2]	1.20" [30.6]
B312(B)-B315(B)	½"	15	2.38" [60.4]	1.72" [43.7]	1.26" [32.1]
B317(B)-B320(B)	¾"	20	2.73" [69.3]	1.81" [45.9]	1.45" [36.8]
B322-B325	1"	25	3.09" [78.4]	1.81" [45.9]	1.56" [39.8]

K20903 - 04/08 - Subject to change. © Belimo Aircontrols (USA), Inc.

Wiring Diagrams

✂️ INSTALLATION NOTES

1 Provide overload protection and disconnect as required.

2 **CAUTION Equipment damage!**
Actuators may be connected in parallel.
Power consumption must be observed.

3 Actuator may also be powered by 24 VDC.

4 For end position indication, interlock control, fan startup, etc., LF24-S US and LF120-S US incorporates a built-in auxiliary switch: 1 x SPDT, 6A (1.5A) @ 250 VAC, UL listed, adjustable 0° to 95°.

📄 APPLICATION NOTES

◆ Meets cULus or UL and CSA requirements without the need of an electrical ground connection.

⚠️ **WARNING Live Electrical Components!**
During installation, testing, servicing and troubleshooting of this product, it may be necessary to work with live electrical components. Have a qualified licensed electrician or other individual who has been properly trained in handling live electrical components perform these tasks. Failure to follow all electrical safety precautions when exposed to live electrical components could result in death or serious injury.

