



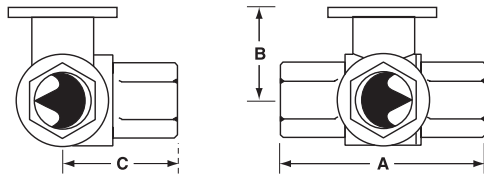
Application

This valve is typically used in air handling units on heating or cooling coils, and fan coil unit heating or cooling coils. Some other common applications include Unit Ventilators, VAV box re-heat coils and bypass loops. This valve is suitable for use in a hydronic system with variable or constant flow.

| Technical Data | |
|------------------------------------|---|
| Service | chilled or hot water, 60% glycol |
| Flow characteristic | A-port equal percentage B-port modified for constant common port flow |
| Action | 90° rotation |
| Sizes | ½", ¾", 1", 1¼", 1½", 2" |
| Type of end fitting | NPT female ends |
| Materials: | |
| Body | forged brass, nickel plated |
| Ball | stainless steel |
| Stem | stainless steel |
| Seats | PTFE |
| Characterizing disc | Tefzel® |
| Packing | 2 EPDM O-rings, lubricated |
| Body Pressure rating | |
| 600 psi | ½" - 1" |
| 400 psi | 1¼" - 2" |
| Media temp. range | 0°F to 212°F [-18°C to 100°C] |
| Close off pressure | |
| 200 psi | ½" - 2" |
| Maximum differential pressure (ΔP) | 30 psi for typical applications |
| Leakage | 0% for A to AB <2.0% for B to AB |
| C _v rating | A-port: see product chart for values B-port: 70% of A to AB C _v |

Tefzel® is a registered trademark of DuPont

Dimensions

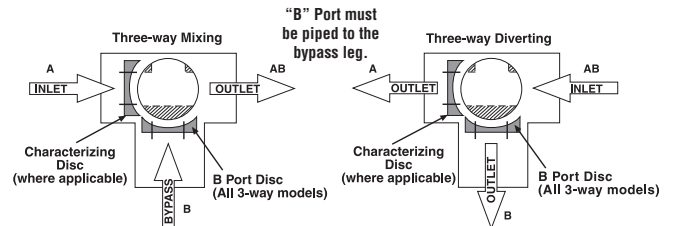


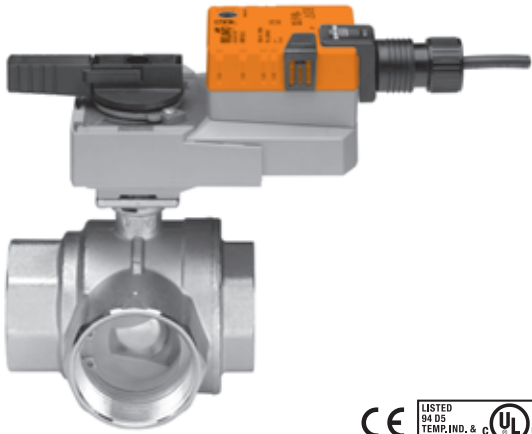
| Valve Body | Valve Nominal Size | | Dimensions (Inches [mm]) | | |
|------------|--------------------|---------|--------------------------|--------------|--------------|
| | Inches | DN [mm] | A | B | C |
| B307-B311 | ½" | 15 | 2.41" [61.1] | 1.39" [35.2] | 1.20" [30.6] |
| B312-B315 | ½" | 15 | 2.38" [60.4] | 1.72" [43.7] | 1.26" [32.1] |
| B317-B320 | ¾" | 20 | 2.73" [69.3] | 1.81" [45.9] | 1.45" [36.8] |
| B322-B325 | 1" | 25 | 3.09" [78.4] | 1.81" [45.9] | 1.56" [39.8] |
| B329-B331 | 1¼" | 32 | 3.96" [100.6] | 2.21" [56.2] | 2.14" [54.3] |
| B338-B341 | 1½" | 40 | 4.39" [111.6] | 2.45" [62.2] | 2.33" [59.1] |
| B347-B352 | 2" | 50 | 4.90" [124.5] | 2.68" [68.0] | 2.60" [66.0] |

| C _v | Valve Nominal Size | | Type | Suitable Return Actuators | | | | |
|----------------|--------------------|---------|-------|---------------------------|----------------|----------------|-----------|-----------|
| | Inches | DN [mm] | | 3-Way NPT | Non-Spring | | Spring | |
| 0.3 | ½" | 15 | B307 | TR Series | LR Series | NR...N4 Series | TF Series | LF Series |
| 0.46 | ½" | 15 | B308 | | | | | |
| 0.8 | ½" | 15 | B309 | | | | | |
| 1.2 | ½" | 15 | B310 | | | | | |
| 1.9 | ½" | 15 | B311 | | | | | |
| 3 | ½" | 15 | B312 | | | | | |
| 4.7 | ½" | 15 | B313 | | | | | |
| 10 | ½" | 15 | B315* | | | | | |
| 4.7 | ¾" | 20 | B317 | | | | | |
| 24 | ¾" | 20 | B320* | | | | | |
| 7.4 | 1" | 25 | B322 | AR Series | AR...N4 Series | AF Series | | |
| 10 | 1" | 25 | B323 | | | | | |
| 30 | 1" | 25 | B325* | | | | | |
| 10 | 1¼" | 32 | B329 | | | | | |
| 19 | 1¼" | 32 | B330 | | | | | |
| 25 | 1¼" | 32 | B331 | | | | | |
| 19 | 1½" | 40 | B338 | | | | | |
| 29 | 1½" | 40 | B339 | | | | | |
| 37 | 1½" | 40 | B340 | | | | | |
| 46 | 1½" | 40 | B341 | | | | | |
| 29 | 2" | 50 | B347 | AR Series | AR...N4 Series | AF Series | | |
| 37 | 2" | 50 | B348 | | | | | |
| 46 | 2" | 50 | B349 | | | | | |
| 57 | 2" | 50 | B350 | | | | | |
| 68 | 2" | 50 | B351 | | | | | |
| 83 | 2" | 50 | B352 | | | | | |

*Models without characterizing disc

Flow Patterns





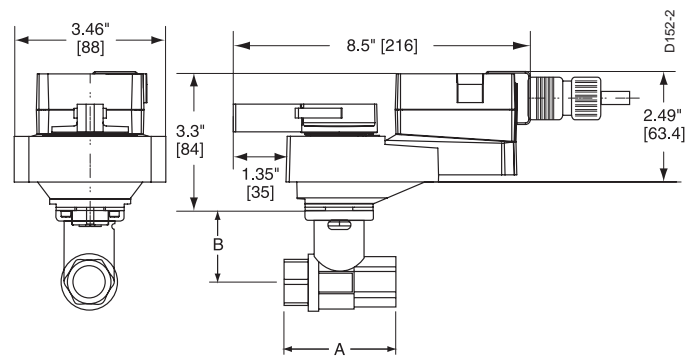
Models

ARB24-SR
ARX24-SR Flexible Version

| Technical Data | |
|-----------------------|--|
| Power supply | 24 VAC ± 20% 50/60 Hz 24 VDC ± 10% |
| Power consumption | running 2.5 W holding 0.4 W |
| Transformer sizing | 3 VA (class 2 power source) |
| Electrical connection | ½" conduit connector 18 GA plenum rated cable □ 3 ft [1m] □ 10 ft [3m] □ 16 ft [5m] |
| Overload protection | electronic throughout 0° to 95° rotation |
| Operating range Y | 2 to 10 VDC, 4 to 20 mA |
| Feedback output U | 1 to 10 VDC, max 0.5 mA |
| Input impedance | 100 kΩ (0.1 mA), 500 Ω |
| Angle of rotation | 90°, adjustable with mechanical stop |
| Torque | 180 in-lb [20 Nm] |
| Direction of rotation | reversible with protected switch |
| Position indication | handle |
| Manual Override | external push button |
| Running time | 95 seconds, constant independent of load |
| Humidity | 5 to 95% RH non-condensing (EN 60730-1) |
| Ambient temperature | -22°F to +122°F [-30°C to +50°C] |
| Storage temperature | -40°F to +176°F [-40°C to +80°C] |
| Housing | NEMA 2/IP54 |
| Housing material | UL94-5VA |
| Agency listings† | cULus acc. to UL60730-1A/-2-14, CAN/CSA E60730-1, CSA C22.2 No. 24-93, CE acc. to 89/336/EEC |
| Noise level | <45 dB(A) |
| Quality standard | ISO 9001 |

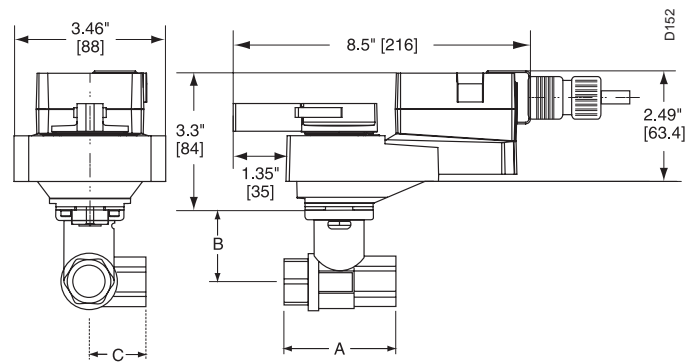
† Rated impulse voltage 800V, Control pollution degree 3, Type of action 1 (1.B for -S models)

Dimensions with 2-Way Valve



| Valve Body | Valve Nominal Size | | Dimensions (Inches [mm]) | |
|------------|--------------------|---------|--------------------------|--------------|
| | Inches | DN [mm] | A | B |
| B231-B232 | 1¼" | 32 | 3.72" [94.6] | 1.98" [50.4] |
| B238-B240 | 1½" | 40 | 3.88" [98.5] | 1.98" [50.4] |
| B248-B250 | 2" | 50 | 4.21" [107.0] | 2.21" [56.2] |

Dimensions with 3-Way Valve



| Valve Body | Valve Nominal Size | | Dimensions (Inches [mm]) | | |
|------------|--------------------|---------|--------------------------|---------------|--------------|
| | Inches | DN [mm] | A | B | C |
| B329-B331 | 1¼" | 32 | 3.96" [100.6] | 2.211" [56.2] | 2.14" [54.3] |
| B338-B341 | 1½" | 40 | 4.39" [111.6] | 2.45" [62.2] | 2.33" [59.1] |
| B347-B352 | 2" | 50 | 4.90" [124.5] | 2.68" [68.0] | 2.60" [66.0] |

Wiring Diagrams

✂️ INSTALLATION NOTES

- ⚠️ **CAUTION Equipment damage!**
Actuators may be connected in parallel.
Power consumption and input impedance must be observed.
- ⚠️ Actuators may also be powered by 24 VDC.
- ⚠️ Only connect common to neg. (-) leg of control circuits.

📄 APPLICATION NOTES

- ◆ The ZG-R01 500 Ω resistor converts the 4 to 20 mA control signal to 2 to 10 VDC, up to 2 actuators may be connected in parallel.

- ⚠️ **WARNING Live Electrical Components!**
During installation, testing, servicing and troubleshooting of this product, it may be necessary to work with live electrical components. Have a qualified licensed electrician or other individual who has been properly trained in handling live electrical components perform these tasks. Failure to follow all electrical safety precautions when exposed to live electrical components could result in death or serious injury.

