



- Live-load packing set
- Stainless steel ball & stem
- Blow-out proof stem design

Application

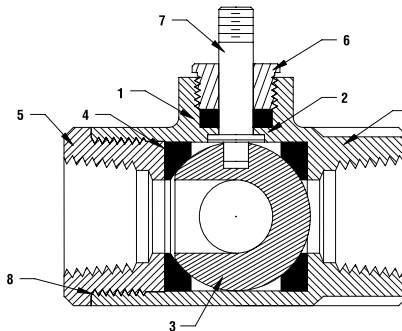
These threaded valves are designed to provide modulating or two position control of hot or chilled water and saturated steam systems under 50 psi.

Typical applications include reheat coils, VAV terminal control, unit ventilators, and air handlers, especially in areas which have minimum profile requirements.

- Up to 50 psi steam
- 1/2" - 2000 PSIG WOG, Cold Non-Shock.
- Federal Specification: WW-V-35C, Type II,
Composition: SS
Style: 3

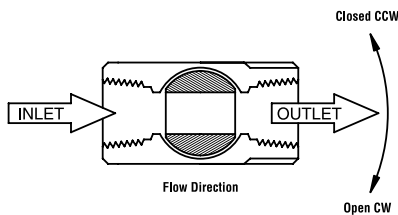
Technical Data	
Media	chilled or hot water, glycol, 50# steam
Flow characteristic	modified equal percentage
Action	90° rotation valve open CW, valve closed CCW
Sizes	1/2", 3/4", 1", 1 1/4", 1 1/2", 2", 2 1/2"
Type of end fitting	SAE NPT (female connections)
Materials:	
1 Stem Packing	Reinforced PTFE
2 Stem Bearing	Reinforced PTFE
3 Ball	316 Stainless Steel
4 Seat (x2)	Reinforced PTFE w/ Durafill
5 Retainer	B16 (3/4" - 1") Brass B584 (1 1/4" - 3") Brass
6 Gland	A276-316
7 Stem	316 Stainless Steel
8 Jam Nut	Stainless Steel
9 Body Seal	PTFE (1/4" to 3")
10 Body	A351-CF8M 316 Stainless Steel

C _v	Valve Nominal Size		Type	Suitable Return Actuators	
	Inches	DN [mm]	2-way NPT	Spring	Non-Spring
15	1/2	15	B2050VSS-15	LF Series	NM Series
30	3/4	20	B2075VSS-30		
43	1	25	B2100VSS-43	AF Series	AM Series
48	1 1/4	32	B2125VSS-48		
84	1 1/2	40	B2150VSS-84		
108	2	50	B2200VSS-108		
503	2 1/2	65	B2250VSS-503	GM Series	SY Series
370	3	80	B2300VSS-370		

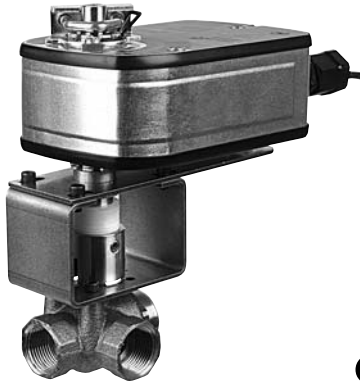


Pressure rating	2000 psig WOG (1/2" - 1")
Media temp. range	-22°F to 298°F (-30°C to 148°C)
Close-off pressure	600 psig @ 100°F
Maximum differential pressure (ΔP)	<600 psig

Flow Patterns



M40006 - 05/10 - Subject to change. © Belimo Aircontrols (USA), Inc.



Models

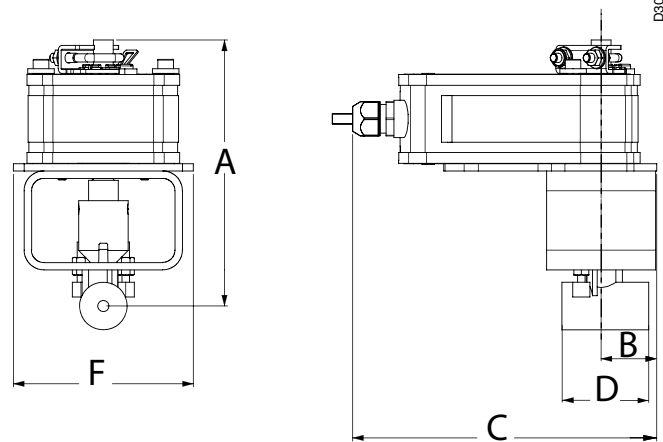
LF24 US	
LF24-S US	w/built-in Aux. Switch
LF120 US	
LF120-S US	w/built-in Aux. Switch

Technical Data	
Control	on/off, floating point
Power supply	
LF24(-S) US	24 VAC ± 20% 50/60 Hz 24 VDC ± 10%
LF120(-S) US	120 VAC ± 10% 50/60 Hz
Power consumption	
LF24(-S) US	running 5 W holding 2.5 W
LF120(-S) US	running 5.5 W holding 3.5 W
Transformer sizing	
LF24(-S) US	7 VA, class 2 power source
LF120(-S) US	
Electrical connection	½" conduit connector
(-S models have 2 cables)	3 ft [1m], 18 GA appliance cable
Electrical protection	120V actuators double insulated
Overload protection	electronic throughout rotation
Angle of rotation	95°
Spring return direction	reversible with CW/CCW mounting
Position indication	visual indicator 0° to 90°
Running time	<40 to 75 seconds (on-off)
spring	<25 sec. @-4°F to 122°F [-20°C to 50°C] <60 sec. @-22°F [-30°C]
Ambient temperature	-22° F to 122° F [-30° C to 50° C]
Housing	NEMA 2
Agency listings†	UL 873, CSA C22.2 No. 24 certified, CE
Quality standard	ISO 9001
Noise level	max. 62 dB(A)

LF...-S US	
Auxiliary switch	1 x SPDT, 6A (1.5A) @ 250 VAC, UL Listed, adjustable 0° to 95° (double insulated)

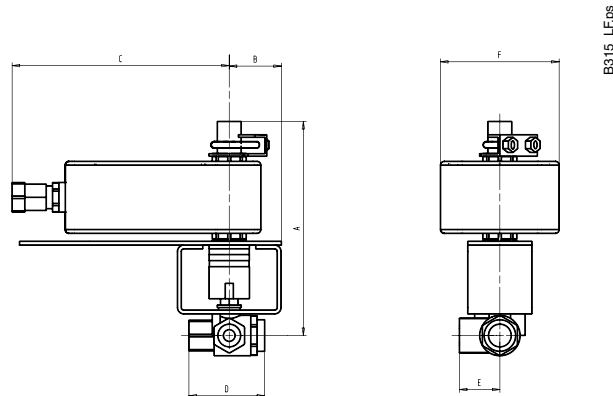
† Rated impulse voltage 800V (4kV for 120V model), Control pollution degree 3, Type of action 1.AA (1.AA.B for -S models)

Dimensions with 2-Way Valve



Valve Body	COP	Valve Nominal Size		Dimensions (Inches)				
		Inches	DN [mm]	A	B	C	D	F
B2050VS-01	100	½"	15	6.75	0.98	7.69	2.20	4.72
B2050VS-02	100	½"	15	6.75	0.98	7.69	2.20	4.72
B2050VS-04	100	½"	15	6.75	0.98	7.69	2.20	4.72
B2050VS-15	100	½"	15	6.75	0.98	7.69	2.20	4.72
B2050VSS-15	1000	½"	15	6.75	1.12	7.69	2.30	4.72

Dimensions with 3-Way Valve



Valve Body	COP	Valve Nominal Size		Dimensions (Inches)					
		Inches	DN [mm]	A	B	C	D	E	F
B315VS	75	½"	15	6.50	2.00	8.00	2.30	1.25	4.00

Wiring Diagrams

✂️ INSTALLATION NOTES

1 Provide overload protection and disconnect as required.

2 **CAUTION Equipment damage!**
Actuators may be connected in parallel.
Power consumption must be observed.

3 Actuator may also be powered by 24 VDC.

4 For end position indication, interlock control, fan startup, etc.,
LF24-S US and LF120-S US incorporates a built-in auxiliary switch:
1 x SPDT, 6A (1.5A) @ 250 VAC, UL listed, adjustable 0° to 95°.

📄 APPLICATION NOTES

◆ Meets cULus or UL and CSA requirements without the need of an electrical ground connection.

⚠️ **WARNING Live Electrical Components!**
During installation, testing, servicing and troubleshooting of this product, it may be necessary to work with live electrical components. Have a qualified licensed electrician or other individual who has been properly trained in handling live electrical components perform these tasks. Failure to follow all electrical safety precautions when exposed to live electrical components could result in death or serious injury.

