

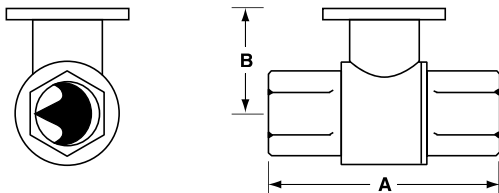
B2 Series, 2-Way, Characterized Control Valve Stainless Steel Ball and Stem



Technical Data	
Service	chilled or hot water, 60% glycol
Flow characteristic	A-port equal percentage
Action	90° rotation
Sizes	½", ¾", 1", 1¼", 1½", 2", 2½", 3"
Type of end fitting	NPT female ends
Materials:	
Body	forged brass, nickel plated
Ball	stainless steel
Stem	stainless steel
Seats	PTFE
Characterizing disc	Tefzel®
Packing	2 EPDM O-rings, lubricated
Body Pressure rating	
600 psi*	½" - 1¼" (B230)
400 psi*	1¼" (B231) - 3"
Media temp. range	0°F to 212°F [-18°C to 100°C]
Close off pressure	
200 psi	½" - 2" (B250)
100 psi	2" (B251) - 3"
Maximum differential pressure (ΔP)	30 psi for typical applications
Leakage	0% for A to AB
C _v rating	A-port: see product chart for values

Tefzel® is a registered trademark of DuPont
*Per EN 12266-1:2003

Dimensions



2WayValve-B207-B220

Valve Body	Valve Nominal Size		Dimensions (Inches [mm])	
	Inches	DN [mm]	A	B
B207-B211	½"	15	2.41" [61.1]	1.39" [35.2]
B212-B215	½"	15	2.38" [60.4]	1.72" [43.7]
B217-B220	¾"	20	2.73" [69.3]	1.81" [45.9]
B222-B225	1"	25	3.09" [78.4]	1.81" [45.9]
B229-B230	1¼"	32	3.72" [94.6]	1.81" [45.9]
B231-B232	1¼"	32	3.72" [94.6]	1.98" [50.4]
B238-B240	1½"	40	3.88" [98.5]	1.98" [50.4]
B248-B250	2"	50	4.21" [107.0]	2.21" [56.2]
B251-B254	2"	50	4.93" [125.2]	2.68" [68.0]
B261-B265	2½"	65	5.55" [140.9]	2.68" [68.0]
B277-B280	3"	80	5.82" [147.9]	2.68" [68.0]

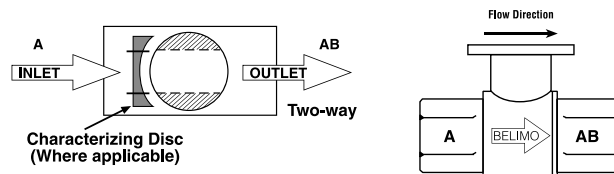
Application

This valve is typically used in air handling units on heating or cooling coils, and fan coil unit heating or cooling coils. Some other common applications include Unit Ventilators, VAV box re-heat coils and bypass loops. This valve is suitable for use in a hydronic system with variable flow.

C _v	Valve Nominal Size		Type	Suitable Actuators			
	Inches	DN [mm]	2-Way NPT	Non-Spring	Spring		
0.3	½"	15	B207	TR Series	LR Series	NR...M4 Series	TF Series
0.46	½"	15	B208				
0.8	½"	15	B209				
1.2	½"	15	B210				
1.9	½"	15	B211				
3	½"	15	B212				
4.7	½"	15	B213				
7.4	½"	15	B214				
10	½"	15	B215*				
4.7	¾"	20	B217				
7.4	¾"	20	B218				
10	¾"	20	B219				
24	¾"	20	B220*				
7.4	1"	25	B222				
10	1"	25	B223				
19	1"	25	B224				
30	1"	25	B225*				
10	1¼"	32	B229				
19	1¼"	32	B230*				
25	1¼"	32	B231				
37	1¼"	32	B232*				
19	1½"	40	B238				
29	1½"	40	B239				
37	1½"	40	B240*				
29	2"	50	B248				
46	2"	50	B249				
57	2"	50	B250*				
65	2"	50	B251				
85	2"	50	B252				
120	2"	50	B253				
240	2"	50	B254*				
60	2½"	65	B261				
75	2½"	65	B262				
110	2½"	65	B263				
150	2½"	65	B264				
210	2½"	65	B265*				
70	3"	80	B277				
130	3"	80	B278				
170	3"	80	B280*				

*Models without characterizing disc

Flow Patterns



L30034 - 07/09 - Subject to change. © Belimo Aircontrols (USA), Inc.

LF24-MFT Actuators, Multi-Function Technology



MFT



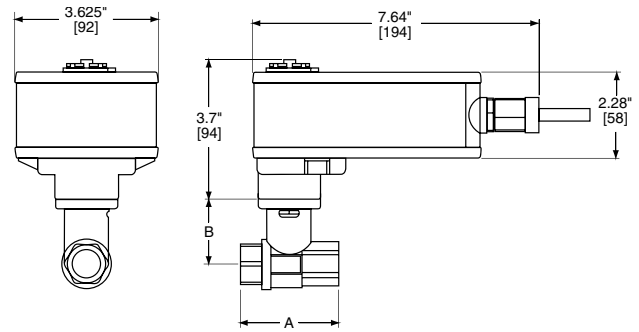
Models

LF24-MFT US
LF24-MFT-S US w/built-in Aux. Switch

Technical Data	
Control	MFT
Control signal	2 to 10 VDC
Power consumption	running 2.5 W holding 1 W
Transformer sizing	5 VA (class 2 power source)
Electrical connection	½" conduit connector
(-S models have 2 cables)	3 ft [1m], 18 GA appliance cable
Overload protection	electronic throughout 0° to 95° rotation
Feedback output	2 to 10 VDC, 0.5 mA max
Input impedance	100 kΩ for 2 to 10 VDC (0.1 mA) 500 Ω for 4 to 20mA 750 Ω for PWM 500 Ω for on/off and floating point
Angle of rotation	95°
Direction of rotation	spring reversible with CW/CCW mounting motor reversible with built-in switch
Position indication	visual indicator
Running time	motor 150 sec. independent of load (proportional, default) spring <25 sec. @-4°F to 122°F [-20°C to 50°C] <60 sec. @-22°F [-30°C]
Ambient temperature	-22° F to 122° F [-30° C to 50° C]
Housing	NEMA 2
Agency listings	cULus according to UL 873 and CAN/CSA C22.2 No. 24-93
Noise level (max)	running <30 db(A) spring return 62 db(A)
Quality standard	ISO 9001

LF24-MFT-S US	
Auxiliary switch	1 x SPDT, 6A (1.5A) @ 250 VAC, UL Listed, adjustable 0° to 95° (double insulated)

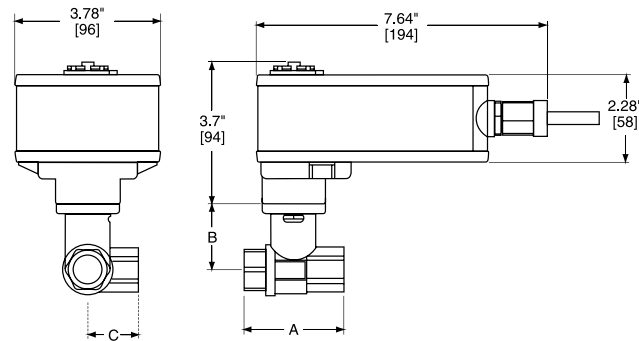
Dimensions with 2-Way Valve



D073

Valve Body	Valve Nominal Size		Dimensions (Inches [mm])	
	Inches	DN [mm]	A	B
B207-B211	½"	15	2.41" [61.1]	1.39" [35.2]
B212-B215	½"	15	2.38" [60.4]	1.72" [43.7]
B217-B220	¾"	20	2.73" [69.3]	1.81" [45.9]
B222-B225	1"	25	3.09" [78.4]	1.81" [45.9]
B229-B230	1¼"	32	3.72" [94.6]	1.81" [45.9]

Dimensions with 3-Way Valve



D026

Valve Body	Valve Nominal Size		Dimensions (Inches [mm])		
	Inches	DN [mm]	A	B	C
B307-B311	½"	15	2.41" [61.1]	1.39" [35.2]	1.20" [30.6]
B312-B315	½"	15	2.38" [60.4]	1.72" [43.7]	1.26" [32.1]
B317-B320	¾"	20	2.73" [69.3]	1.81" [45.9]	1.45" [36.8]
B322-B325	1"	25	3.09" [78.4]	1.81" [45.9]	1.56" [39.8]

L30034 - 07/09 - Subject to change. © Belimo Aircontrols (USA), Inc.

Wiring Diagrams

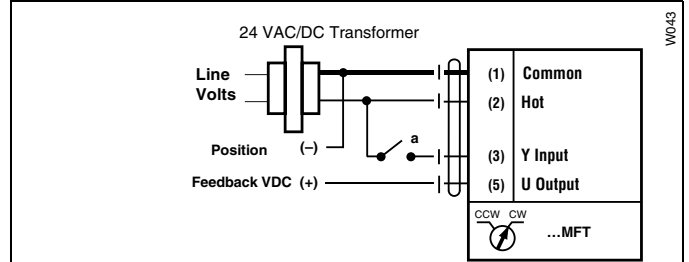
✂️ INSTALLATION NOTES

- 2 **CAUTION Equipment damage!**
Actuators may be connected in parallel if not mechanically mounted to the same shaft. Power consumption and input impedance must be observed.
- 3 Actuators may also be powered by 24 VDC.
- 4 IN4004 or IN4007 diode (IN4007 supplied, Belimo part number 40155).
- 5 Triac A and B can also be contact closures.
- 6 Control signal may be pulsed from either the Hot (Source) or Common (Sink) 24 VAC line.
- 7 Position feedback cannot be used with Triac sink controller. The actuators internal common reference is not compatible.

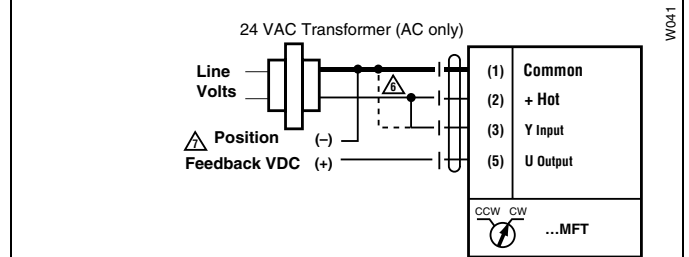
📄 APPLICATION NOTES

- ◆ The ZG-R01 500 Ω resistor converts the 4 to 20 mA control signal to 2 to 10 VDC, up to 2 actuators may be connected in parallel.

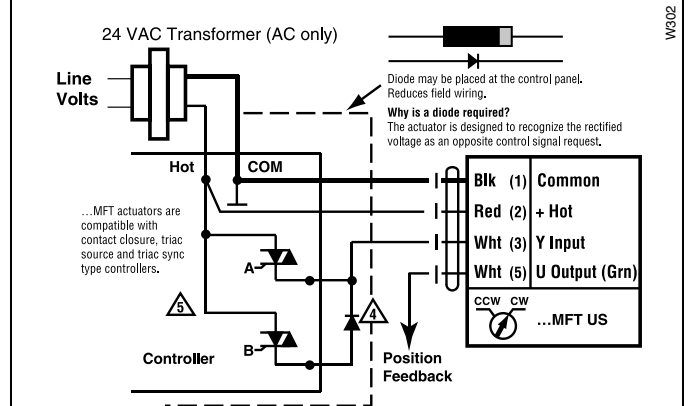
⚠️ WARNING Live Electrical Components!
During installation, testing, servicing and troubleshooting of this product, it may be necessary to work with live electrical components. Have a qualified licensed electrician or other individual who has been properly trained in handling live electrical components perform these tasks. Failure to follow all electrical safety precautions when exposed to live electrical components could result in death or serious injury.



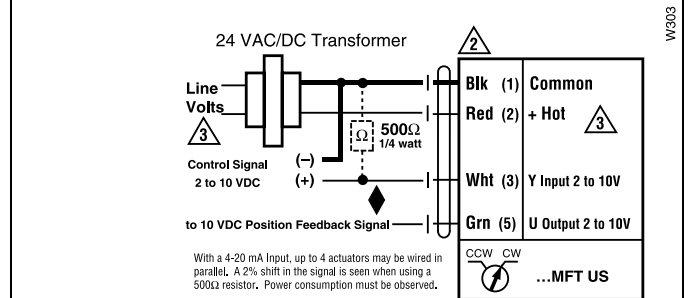
On/Off control



PWM, triac source and sink



Floating Point control



Proportional 2 to 10 or 4 to 20 mA control signal