

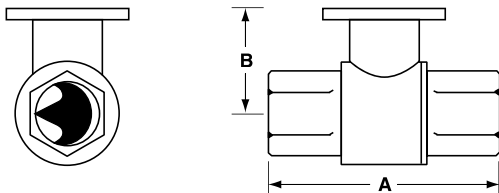
# B2 Series, 2-Way, Characterized Control Valve Stainless Steel Ball and Stem



Technical Data	
Service	chilled or hot water, 60% glycol
Flow characteristic	A-port equal percentage
Action	90° rotation
Sizes	½", ¾", 1", 1¼", 1½", 2", 2½", 3"
Type of end fitting	NPT female ends
Materials:	
Body	forged brass, nickel plated
Ball	stainless steel
Stem	stainless steel
Seats	PTFE
Characterizing disc	Tefzel®
Packing	2 EPDM O-rings, lubricated
Body Pressure rating	
600 psi*	½" - 1¼" (B230)
400 psi*	1¼" (B231) - 3"
Media temp. range	0°F to 212°F [-18°C to 100°C]
Close off pressure	
200 psi	½" - 2" (B250)
100 psi	2" (B251) - 3"
Maximum differential pressure (ΔP)	30 psi for typical applications
Leakage	0% for A to AB
C <sub>v</sub> rating	A-port: see product chart for values

Tefzel® is a registered trademark of DuPont  
\*Per EN 12266-1:2003

## Dimensions



2WayValve-B207-B220

Valve Body	Valve Nominal Size		Dimensions (Inches [mm])	
	Inches	DN [mm]	A	B
B207-B211	½"	15	2.41" [61.1]	1.39" [35.2]
B212-B215	½"	15	2.38" [60.4]	1.72" [43.7]
B217-B220	¾"	20	2.73" [69.3]	1.81" [45.9]
B222-B225	1"	25	3.09" [78.4]	1.81" [45.9]
B229-B230	1¼"	32	3.72" [94.6]	1.81" [45.9]
B231-B232	1¼"	32	3.72" [94.6]	1.98" [50.4]
B238-B240	1½"	40	3.88" [98.5]	1.98" [50.4]
B248-B250	2"	50	4.21" [107.0]	2.21" [56.2]
B251-B254	2"	50	4.93" [125.2]	2.68" [68.0]
B261-B265	2½"	65	5.55" [140.9]	2.68" [68.0]
B277-B280	3"	80	5.82" [147.9]	2.68" [68.0]

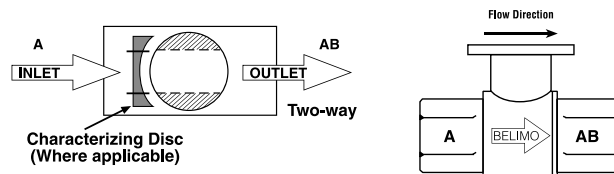
## Application

This valve is typically used in air handling units on heating or cooling coils, and fan coil unit heating or cooling coils. Some other common applications include Unit Ventilators, VAV box re-heat coils and bypass loops. This valve is suitable for use in a hydronic system with variable flow.

C <sub>v</sub>	Valve Nominal Size		Type	Suitable Actuators				
	Inches	DN [mm]	2-Way NPT	Non-Spring	Spring			
0.3	½"	15	B207	TR Series	LR Series	NR...M4 Series	TF Series	LF Series
0.46	½"	15	B208					
0.8	½"	15	B209					
1.2	½"	15	B210					
1.9	½"	15	B211					
3	½"	15	B212					
4.7	½"	15	B213					
7.4	½"	15	B214					
10	½"	15	B215*					
4.7	¾"	20	B217					
7.4	¾"	20	B218					
10	¾"	20	B219					
24	¾"	20	B220*					
7.4	1"	25	B222					
10	1"	25	B223					
19	1"	25	B224					
30	1"	25	B225*					
10	1¼"	32	B229					
19	1¼"	32	B230*					
25	1¼"	32	B231					
37	1¼"	32	B232*					
19	1½"	40	B238					
29	1½"	40	B239					
37	1½"	40	B240*					
29	2"	50	B248					
46	2"	50	B249					
57	2"	50	B250*					
65	2"	50	B251					
85	2"	50	B252					
120	2"	50	B253					
240	2"	50	B254*					
60	2½"	65	B261					
75	2½"	65	B262					
110	2½"	65	B263					
150	2½"	65	B264					
210	2½"	65	B265*					
70	3"	80	B277					
130	3"	80	B278					
170	3"	80	B280*					

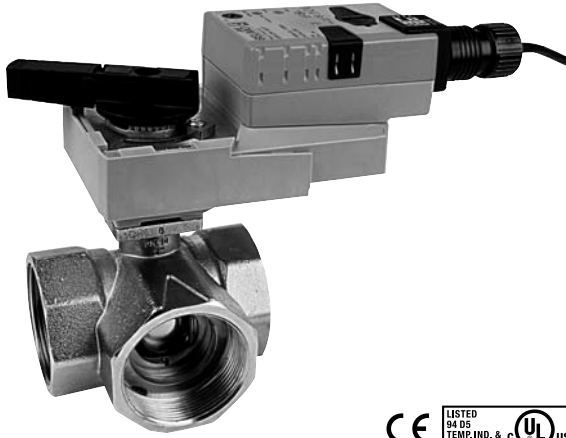
\*Models without characterizing disc

## Flow Patterns



L30034 - 07/09 - Subject to change. © Belimo Aircontrols (USA), Inc.

# AR...120-3 Actuators, On/Off, Floating Point



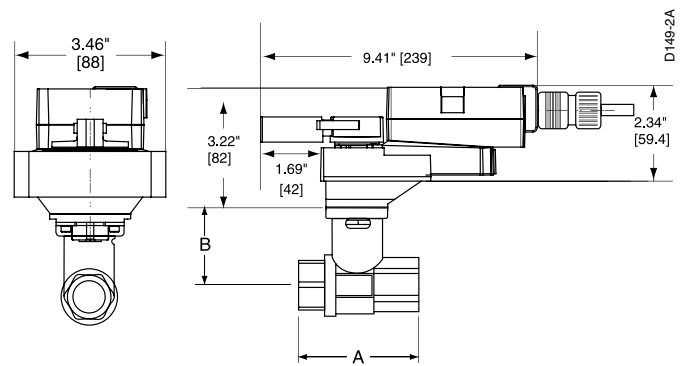
## Models

ARB120-3  
ARX120-3 Flexible Version

Technical Data	
Control	On/Off, Floating Point
Power supply	100 to 240 VAC, 50/60 Hz (nominal) 85 to 265 VAC, 50/60 Hz (tolerance)
Power consumption	running 3 W
	holding 0.6 W
Transformer sizing	7 VA (class 2 power source)
Electrical connection	½" conduit connector 18 GA appliance rated cable ARB120-3 3 ft [1m] ARX120-3 □ 3 ft [1m] □ 10 ft [3m] □ 16 ft [5m]
Overload protection	electronic throughout 0° to 95° rotation
Input impedance	600 Ω
Angle of rotation	90°, adjustable with mechanical stop
Direction of rotation	reversible with protected  switch
Position indication	handle
Manual override	external push button
Running time	90 seconds
	ARB120-3 □ 300 □ 150 □ 95 seconds, ARX120-3 constant independent of load
Humidity	5 to 95% RH non-condensing (EN 60730-1)
Ambient temperature	-22°F to 122°F [-30°C to 50°C]
Storage temperature	-40°F to 176°F [-40°C to 80°C]
Housing	NEMA 2/IP54
Housing material	UL94-5VA
Agency listings†	cULus according to UL 60730-1A/-2-14, CAN/CSA E60730-1:02, CE according to 2004/108/EC and 2006/95/EC for line voltage and/or -S versions
Noise level	<45 dB(A)
Servicing	maintenance free
Quality standard	ISO 9001

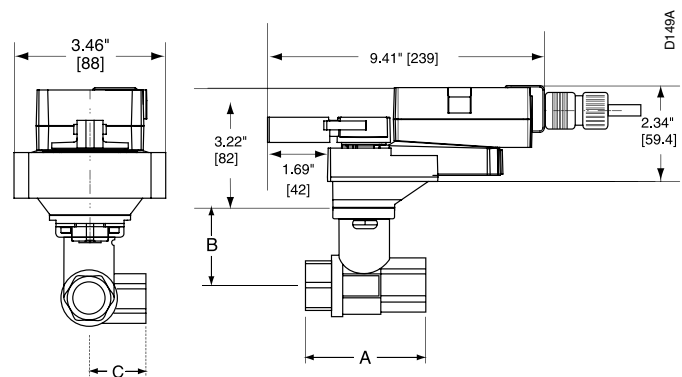
† Rated impulse voltage 4kV, Control pollution degree 3, Type of action 1

## Dimensions with 2-Way Valve



Valve Body	Valve Nominal Size		Dimensions (Inches [mm])	
	Inches	DN [mm]	A	B
B231-B232	1¼"	32	3.72" [94.6]	1.98" [50.4]
B238-B240	1½"	40	3.88" [98.5]	1.98" [50.4]
B248-B250	2"	50	4.21" [107.0]	2.21" [56.2]
B251-B254	2"	50	4.93" [125.2]	2.68" [68.0]
B261-B265	2½"	65	5.55" [140.9]	2.68" [68.0]
B277-B280	3"	80	5.82" [147.9]	2.68" [68.0]

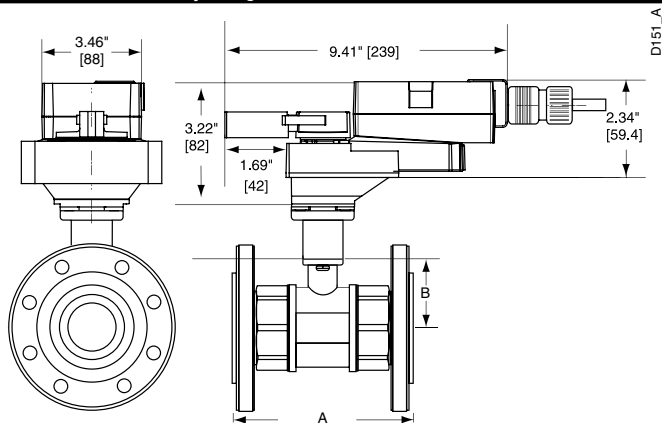
## Dimensions with 3-Way Valve



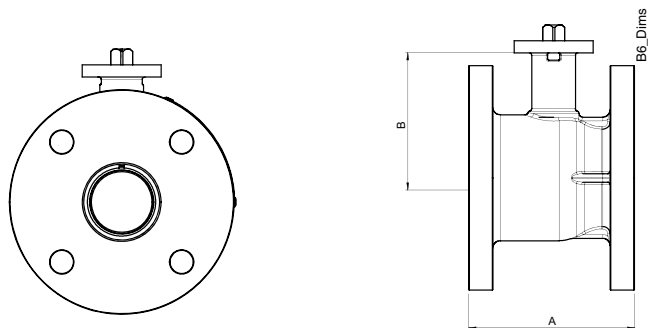
Valve Body	Valve Nominal Size		Dimensions (Inches [mm])		
	Inches	DN [mm]	A	B	C
B329-B331	1¼"	32	3.96" [100.6]	2.21" [56.2]	2.14" [54.3]
B338-B341	1½"	40	4.39" [111.6]	2.45" [62.2]	2.33" [59.1]
B347-B352	2"	50	4.90" [124.5]	2.68" [68.0]	2.60" [66.0]

L30034 - 07/09 - Subject to change. © Belimo Aircontrols (USA), Inc.

### Dimensions with 2-Way Flanged Valve



Valve Nominal Size			Dimensions (Inches [mm])		
Valve Body	Inches	DN [mm]	A	B	CCV-EXT
B661-B665	2½"	65	7.54" [192]	3.50" [89]	2.00" [50]
B677-B680	3"	80	7.93" [202]	3.75" [96]	2.00" [50]



Valve Nominal Size			Dimensions (Inches [mm])	
Valve Body	Inches	DN [mm]	A	B
B6250	2½"	65	5.37" [136.5]	4.45" [113]
B6300	3"	80	6.61" [168]	4.45" [113]

### Wiring Diagrams

#### ✂️ INSTALLATION NOTES

- 1 Provide overload protection and disconnect as required.
- 2 **CAUTION Equipment damage!**  
Actuators may be connected in parallel.  
Power consumption and input impedance must be observed.

#### 📄 APPLICATION NOTES

- ◆ Meets cULus or UL and CSA requirements without the need of an electrical ground connection.

#### ⚠️ WARNING Live Electrical Components!

During installation, testing, servicing and troubleshooting of this product, it may be necessary to work with live electrical components. Have a qualified licensed electrician or other individual who has been properly trained in handling live electrical components perform these tasks. Failure to follow all electrical safety precautions when exposed to live electrical components could result in death or serious injury.

