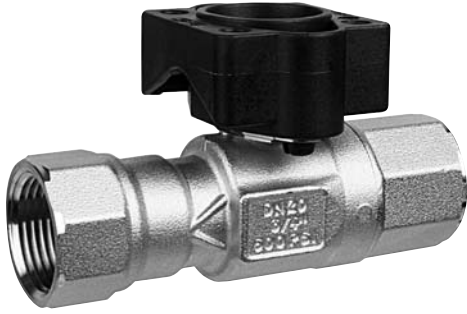


# B2...HT... Two-way High Temperature Characterized Control Valve

## Stainless Steel Ball and Stem



### Application

This valve is typically used in air handling units on heating or cooling coils, and fan coil unit heating or cooling coils. Some other common applications include Unit Ventilators, VAV box re-heat coils and bypass loops. This valve is suitable for use in a hydronic system with variable flow.

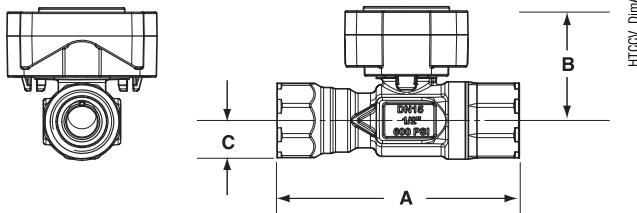
This valve is designed to fit in compact areas where on/off or floating point control is required using 24 VAC.

Technical Data	
Service	water/low pressure steam, 60% glycol
Flow characteristic	A-port equal percentage
Sizes	½", ¾", 1"
Type of end fitting	female, NPT
Materials:	
Body	brass (DZR) P-CuZn35Pb2
Ball	stainless steel
Stem	stainless steel
Seats	PTFE Teflon
Characterizing disc	PTFE Teflon
Packing	2 EPDM O-rings
Pressure rating	600 psi
Media temperature range	
Steam	250°F (15 psig)
Hot water	37°F - 266°F
Close off pressure	200 psi
Maximum differential pressure (ΔP)	116 psi full open ball 60 psi partially open ball
Leakage	bubble tight 0%

C <sub>v</sub>	Valve Nominal Size		Type	Suitable Actuators	
	Inches	DN [mm]	2-way NPT	Spring	Non-Spring
0.29	½	15	B215HT029	TF Series	TR Series
0.46	½	15	B215HT046		
0.73	½	15	B215HT073		
1.16	½	15	B215HT116		
1.86	½	15	B215HT186		
2.90	½	15	B215HT290		
4.55	½	15	B215HT455*	LF Series	LR Series
1.86	¾	20	B220HT186		
2.90	¾	20	B220HT290		
4.64	¾	20	B220HT464		
7.31	¾	20	B220HT731		
9.28	¾	20	B220HT928		
13.20	¾	20	B220HT1320		
4.64	1	25	B225HT464		
7.31	1	25	B225HT731		
11.6	1	25	B225HT1160		
18.56	1	25	B225HT1856		
28.00	1	25	B225HT2800		

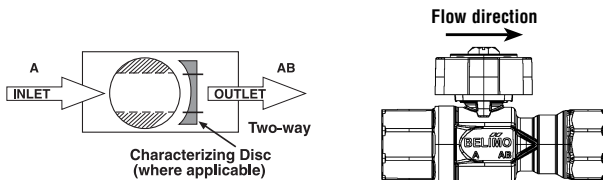
\* modified equal percentage

### Dimensions



Valve Body	Valve Nominal Size		Dimensions (Inches [mm])		
	Inches	DN [mm]	A	B	C
B215HT	½"	15	3.33" [84.6]	2.09" [53.2]	0.53" [13.5]
B220HT	¾"	20	3.96" [100.6]	2.37" [60.1]	0.67" [17.0]
B225HT	1"	25	5.14" [130.6]	3.14" [79.8]	0.92" [23.25]

### Flow Patterns



L30059 - 08/09 - Subject to change. © Belimo Aircontrols (USA), Inc.

# TR24-3 Actuators, On-Off, Floating Point



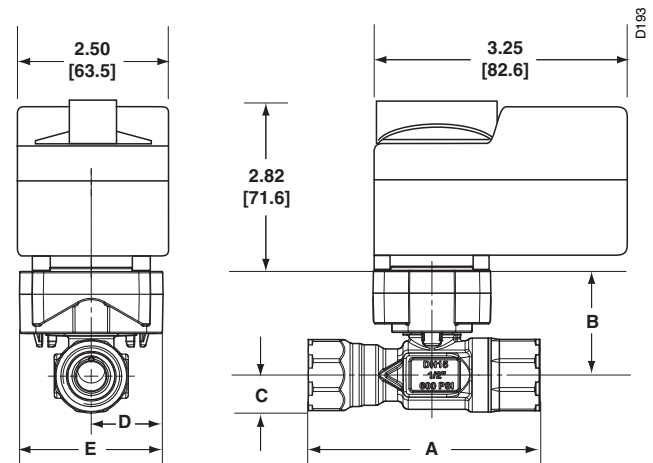
## Models

TR24-3 US

Technical Data	
Control	On/Off, Floating Point
Input impedance	.36 kΩ
Nominal voltage	24 VAC 50/60 Hz
Nominal voltage range	19.2...28.8 VAC
Power consumption	1 W
Transformer sizing	1VA (class 2 power source)
Electrical connection	screw terminals accessible after removal of small cover (3 ft, 10 ft, 16 ft cables optional)
Angle of rotation	90°
Position indication	integrated into handle
Manual override	push down handle
Running time	90 seconds @ 60 hz, 108 seconds @ 50 hz
Humidity	5 to 95% non-condensing
Ambient temperature	-22°F to 122°F (-30°C to 50°C)
Storage temperature	-40°F to 176°F (-40°C to 80°C)
Housing	NEMA 1/IP40
Housing rating	UL94-5V(B)
Agency listing†	cULus acc. to UL60730-1A/-2-14, CAN/CSA E60730-1, CSA C22.2 No. 24-93, CE acc. to 89/336/EEC
Noise level	Max. 35 db (A)
Quality standard	ISO 9001

† Rated impulse voltage 330V, Control pollution degree 2, Type of action 1

## Dimensions with 2-Way Valve



Valve Body	Valve Nominal Size		Dimensions (Inches [mm])		
	Inches	DN [mm]	A	B	C
B215HT	1/2"	15	3.33" [84.6]	2.09" [53.2]	0.53" [13.5]

L30059 - 08/09 - Subject to change. © Belimo Aircontrols (USA), Inc.

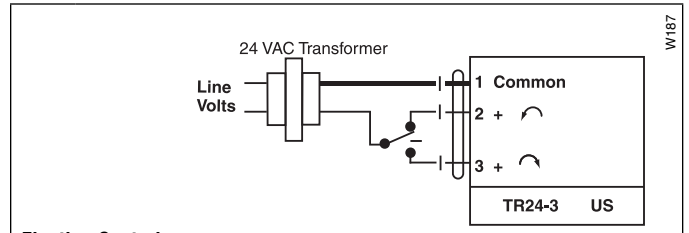
### Wiring Diagrams

#### ✂ INSTALLATION NOTES

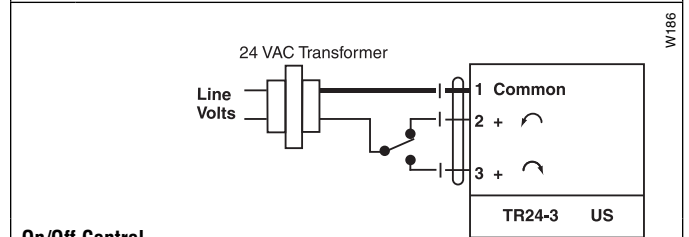
- 2 The common connection from the actuator must be connected to the Hot connection of the controller.
- 3 Actuators with plenum rated cable do not have numbers on wires; use color codes instead.
- 4 The actuator Hot must be connected to the control board Hot.

**⚠ WARNING Live Electrical Components!**  
 During installation, testing, servicing and troubleshooting of this product, it may be necessary to work with live electrical components. Have a qualified licensed electrician or other individual who has been properly trained in handling live electrical components perform these tasks. Failure to follow all electrical safety precautions when exposed to live electrical components could result in death or serious injury.

**NOTE: TR24-3 US cannot be wired in parallel with themselves or any other actuator.**

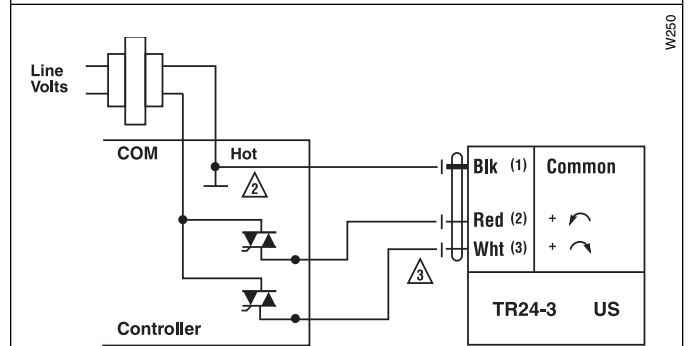


**Floating Control**

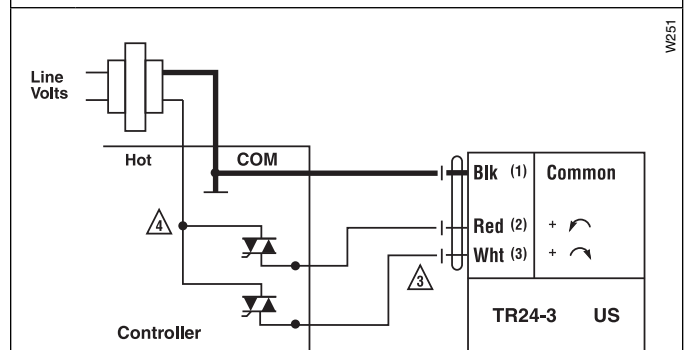


**On/Off Control**

You may not use one wire control.



**Triac Sink**



**Triac Source**