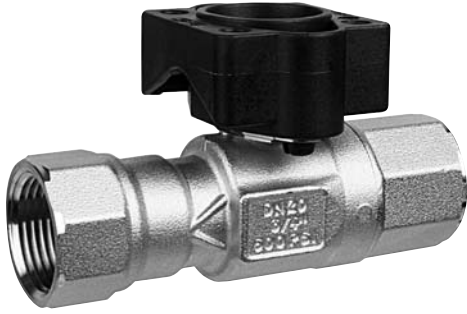


# B2...HT... Two-way High Temperature Characterized Control Valve

## Stainless Steel Ball and Stem



### Application

This valve is typically used in air handling units on heating or cooling coils, and fan coil unit heating or cooling coils. Some other common applications include Unit Ventilators, VAV box re-heat coils and bypass loops. This valve is suitable for use in a hydronic system with variable flow.

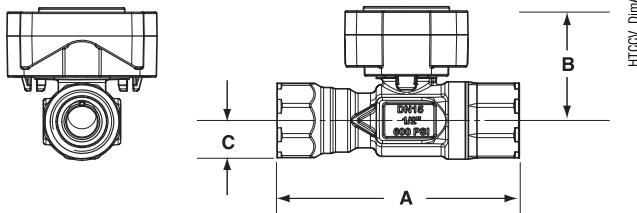
This valve is designed to fit in compact areas where on/off or floating point control is required using 24 VAC.

Technical Data	
Service	water/low pressure steam, 60% glycol
Flow characteristic	A-port equal percentage
Sizes	½", ¾", 1"
Type of end fitting	female, NPT
Materials:	
Body	brass (DZR) P-CuZn35Pb2
Ball	stainless steel
Stem	stainless steel
Seats	PTFE Teflon
Characterizing disc	PTFE Teflon
Packing	2 EPDM O-rings
Pressure rating	600 psi
Media temperature range	
Steam	250°F (15 psig)
Hot water	37°F - 266°F
Close off pressure	200 psi
Maximum differential pressure (ΔP)	116 psi full open ball 60 psi partially open ball
Leakage	bubble tight 0%

C <sub>v</sub>	Valve Nominal Size		Type	Suitable Actuators	
	Inches	DN [mm]	2-way NPT	Spring	Non-Spring
0.29	½	15	B215HT029	TF Series	TR Series
0.46	½	15	B215HT046		
0.73	½	15	B215HT073		
1.16	½	15	B215HT116		
1.86	½	15	B215HT186		
2.90	½	15	B215HT290		
4.55	½	15	B215HT455*	LF Series	LR Series
1.86	¾	20	B220HT186		
2.90	¾	20	B220HT290		
4.64	¾	20	B220HT464		
7.31	¾	20	B220HT731		
9.28	¾	20	B220HT928		
13.20	¾	20	B220HT1320		
4.64	1	25	B225HT464		
7.31	1	25	B225HT731		
11.6	1	25	B225HT1160		
18.56	1	25	B225HT1856		
28.00	1	25	B225HT2800		

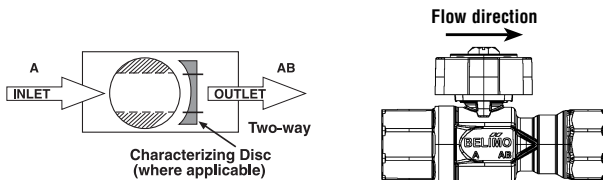
\* modified equal percentage

### Dimensions



Valve Body	Valve Nominal Size		Dimensions (Inches [mm])		
	Inches	DN [mm]	A	B	C
B215HT	½"	15	3.33" [84.6]	2.09" [53.2]	0.53" [13.5]
B220HT	¾"	20	3.96" [100.6]	2.37" [60.1]	0.67" [17.0]
B225HT	1"	25	5.14" [130.6]	3.14" [79.8]	0.92" [23.25]

### Flow Patterns

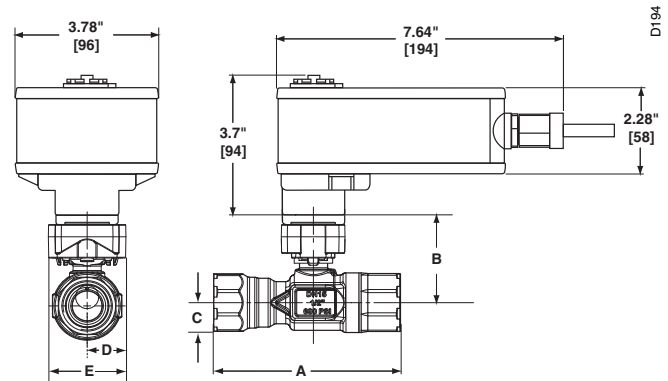


L30059 - 08/09 - Subject to change. © Belimo Aircontrols (USA), Inc.

# LF24-SR Actuators, Proportional



## Dimensions with 2-Way Valve



## Models

- LF24-SR US
- LF24-SR-S US w/built-in Aux. Switch

Technical Data	
Control	Proportional
Control signal	2 to 10 VDC 4 to 20 mA (with 500 Ω resistor)
Power consumption	running 2.5 W holding 1 W
Transformer sizing	5 VA, class 2 power
Electrical connection	3 ft, 18 GA appliance cables (-S model has 2 cables) ½" conduit connector
Overload protection	electronic throughout 0° to 95° rotation
Input impedance	100k Ω
Feedback output	2 to 10 VDC
Angle of rotation	95°
Direction of rotation	spring reversible with CW/CCW mounting motor reversible with built-in ↻/↻ switch
Position indication	visual indicator
Running time	motor <40 to 75 sec. (on-off) 150 sec. independent of load (proportional) spring <25 sec. @-4°F to +122°F [-20°C to +50°C] <60 sec. @-22°F [-30°C]
Ambient temperature	-22° F to 122° F [-30° C to 50° C]
Housing	NEMA 2
Agency listings	UL 873, CSA C22.2 No. 24 certified, CE
Quality standard	ISO 9001
Noise level	max. 62 dB(A)

LF24-SR-S US	
Auxiliary switch	1 x SPDT, 6A (1.5A) @ 250 VAC, UL Listed, adjustable 0° to 95° (double insulated)

Valve Body	Valve Nominal Size		Dimensions (Inches [mm])		
	Inches	DN [mm]	A	B	C
B220HT	¾"	20	3.96" [100.6]	2.37" [60.1]	0.67" [17.0]
B225HT	1"	25	5.14" [130.6]	3.14" [79.8]	0.92" [23.25]

L30059 - 08/09 - Subject to change. © Belimo Aircontrols (USA), Inc.

**Wiring Diagrams**

**INSTALLATION NOTES**

- 2** **CAUTION Equipment damage!**  
Actuators may be connected in parallel. Up to 4 actuators may be connected in parallel. With 4 actuators wired to one 500 Ω resistor, a +2% shift of control signal may be required. Power consumption must be observed.
- 3** Actuators may also be powered by 24 VDC.
- 4** Actuators with plenum rated cable do not have numbers on wires; use color codes instead.
- 5** Only connect common to neg. (-) leg of control circuits.
- 6** For end position indication, interlock control, fan startup, etc., LF24-SR-S US incorporates one built-in auxiliary switch: 1 x SPDT, 6A (1.5A) @ 250 VAC, UL listed, adjustable 0° to 95°.
- 7** The LF24-SR-S US wire 5 is white.

**APPLICATION NOTES**

- ◆ The ZG-R01 500 Ω resistor converts the 4 to 20 mA control signal to 2 to 10 VDC, up to 2 actuators may be connected in parallel.
- ◆ Meets cULus or UL and CSA requirements without the need of an electrical ground connection.

**WARNING Live Electrical Components!**  
During installation, testing, servicing and troubleshooting of this product, it may be necessary to work with live electrical components. Have a qualified licensed electrician or other individual who has been properly trained in handling live electrical components perform these tasks. Failure to follow all electrical safety precautions when exposed to live electrical components could result in death or serious injury.

L30059 - 08/09 - Subject to change. © Belimo Aircontrols (USA), Inc.

