

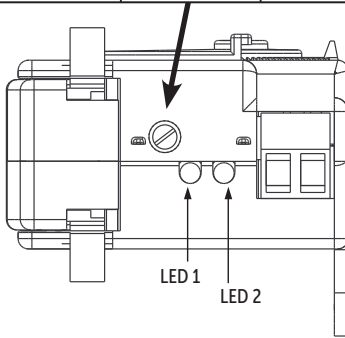


**Functional
Devices, Inc™**

Bulletin B1700

• RIBXG21 Series

Decrease Trip Point (CCW) ◀ **THRESHOLD ADJUSTMENT** ▶ Increase Trip Point (CW)

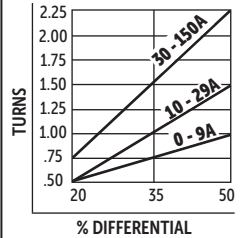


MODEL	SENSE RANGE	THRESHOLD ADJUST	SENSOR CONTACT	LED 1	LED 2
RIBXG21F	0.5 - 150Amps AC	No / Fixed	Wht/Brn Wires		
RIBXG21TF	0.5 - 150Amps AC	No / Fixed	Terminals		
RIBXG21A	0.75 - 150Amps AC	Yes / Adjustable	Wht/Brn Wires	Over threshold	Under threshold
RIBXG21TA	0.75 - 150Amps AC	Yes / Adjustable	Terminals	Over threshold	Under threshold

CAUTION: RISK OF ELECTRIC SHOCK - MORE THAN ONE DISCONNECT MAY BE REQUIRED TO DEENERGIZE THE DEVICE BEFORE SERVICING.

TO SET UP

1. Start load and let stabilize.
2. Turn screw counterclockwise until LED 1 turns ON (may already be ON) and LED 2 turns OFF.
3. Turn screw clockwise until LED 2 turns ON and LED 1 turns OFF.
4. Turn screw counterclockwise until LED 1 turns ON and LED 2 turns OFF.
5. For differential, continue turning screw counterclockwise as per chart.

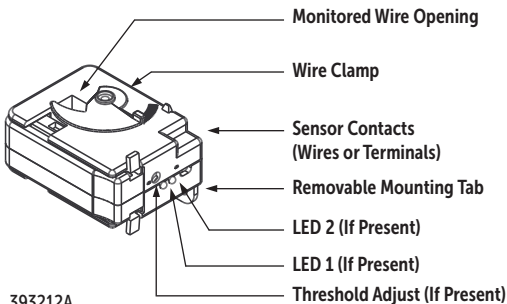
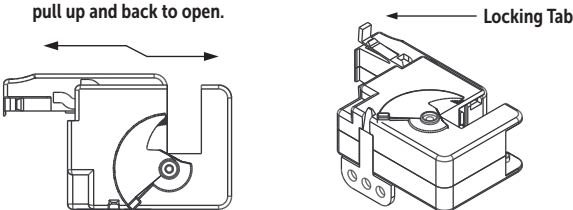


**Functional
Devices, Inc™**

RIBXG21 SERIES

Split Core Current Sensors

Squeeze the locking tabs, then pull up and back to open.



393212A

Operating Temperature:
-30 to 140° F

Max Sense Voltage:
600 Vac

Approvals:
UL Listed
UL916, C-UL Canada

Housing Rating:
Plenum, NEMA 1



Functional Devices, Inc.
101 Commerce Drive
Sharpsville, IN 46068

www.functionaldevices.com