



Ordering Information:

Interface Board (only)

PSM2RB10

Interface Board in 12" x 14" x 6" Metal Enclosure

PSH2RB10

Kit with Interface Board in Metal Enclosure PLUS 550VA UPS

PSH550-UPS

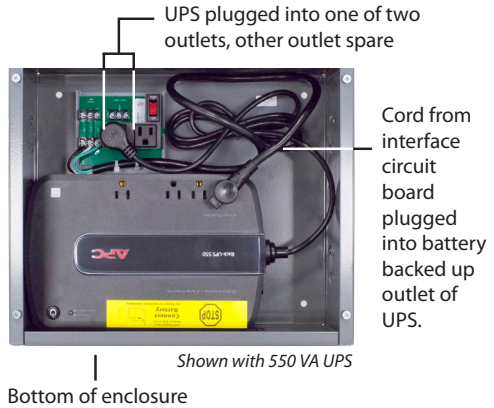
Enclosure Will Accept Any UPS

- Max size: 12.00" x 7.25" x 5.50"
- With appropriate ratings*

To Install UPS Inside Enclosure

- Remove lid from enclosure.
- Place UPS (outlets facing outward) on the bottom of enclosure with power cord facing left.
- Plug UPS into one of two outlets.
- Plug supplied power cord attached to interface circuit board into UPS.

Intended for use with 120 Vac line voltage.



Detail of Interface Board (Model PSM2RB10)

Line Input

10 Amp max. @ 120 Vac

Output Both Outlets

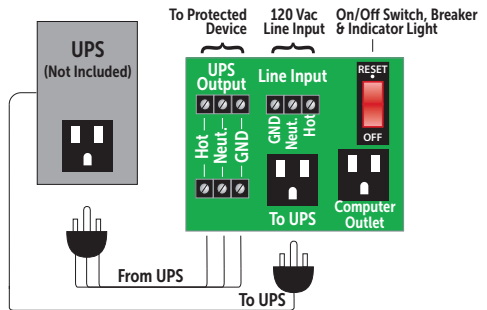
10 Amp max. @ 120 Vac

UPS Protected Outlet

10 Amp max. @ 120 Vac

* Use with UPS devices rated:

120 Vac max, 8.3 A max, 1000 VA max, 600 W max



CAUTION: RISK OF ELECTRICAL SHOCK - MORE THAN ONE DISCONNECT MAY BE REQUIRED TO DEENERGIZE THE DEVICE BEFORE SERVICING.

CAUTION: REMOVAL OF COVER OR ACCESS PLATE (IF PRESENT) EXPOSES HIGH VOLTAGE.

FOR SUPPLY CONNECTIONS USE #14AWG WIRES OR LARGER RATED FOR AT LEAST 75°C(167°F).