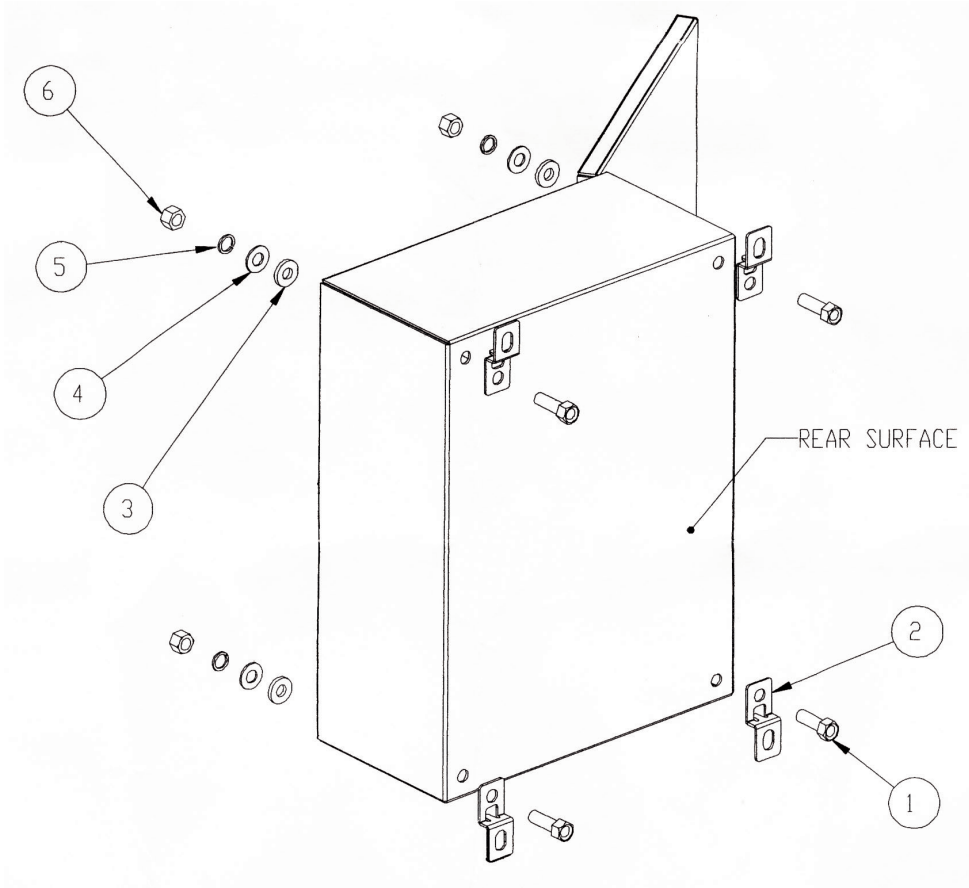


# WALL MOUNTING KIT

## ASSEMBLY INSTRUCTIONS

### CAUTION: DO NOT DISCARD PARTS OR HARDWARE.

Before starting assembly or discarding packaging, make sure all items listed in the parts list are included.



PARTS LIST		
ITEM NUMBER	DESCRIPTION	QUANTITY
1	HEX BOLT - M10 x 20mm	4
2	MOUNTING BRACKET	4
3	SEALING WASHER - 6 x 20mm	4
4	FLAT WASHER - M10 x 20mm	4
5	LOCK WASHER - M10	4
6	HEX NUT - M10	4

**NOTE:** Kit hardware must be assembled in the order shown to maintain watertight seal.