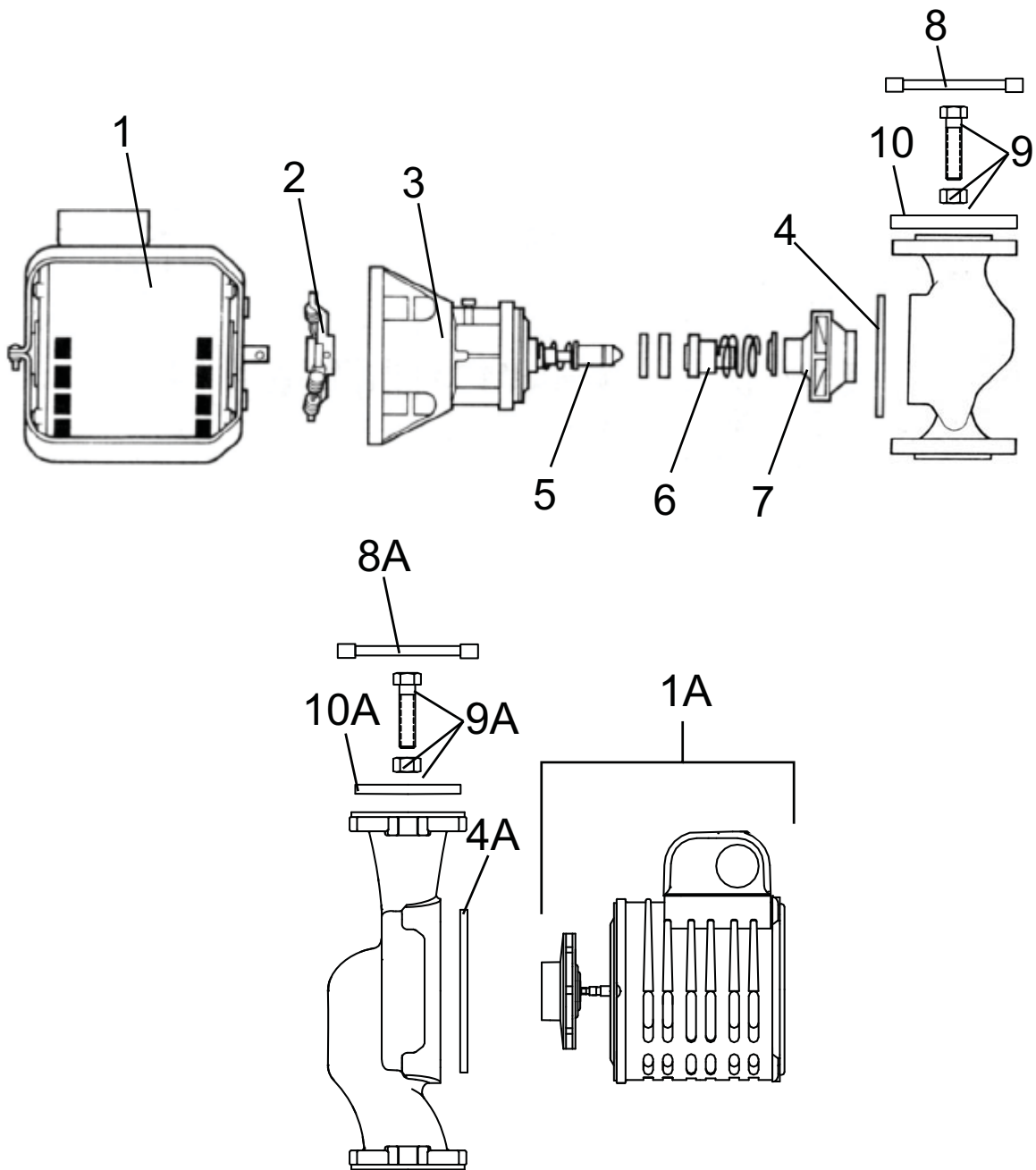




PARTS & SERVICE DEPARTMENT
Nashville, Tennessee
615-889-8900 • Fax: 615-882-2918
parts_team@lochinvar.com
www.Lochinvar.com

Replacement Parts List

CIRCULATING PUMPS for Domestic Hot Water



| CW(N,L) 495-745 , EW(N,L)150-300 , CF(N,L)401-751 | | | ARM3044PAB(PBF) 1/4 HP |
|---|-------------|----------------------------|------------------------|
| ITEM NO. | PART NUMBER | DESCRIPTION | |
| 1 | ARM1019 | MOTOR | |
| 2 | ARM1007 | COUPLER | |
| 3 | ARM1046 | SEAL BEARING ASSEMBLY | |
| 4 | ARM1011 | VOLUTE GASKET | |
| 5 | ARM1002 | BEARING MODULE | |
| 6 | ARM1001 | SEAL KIT | |
| 7 | ARM1023 | IMPELLER | |
| 8 | ARM1033 | FLANGE PAB - 2" (REQ. 2) | |
| 8 | ARM1029 | FLANGE PBF - 2" (REQ. 2) | |
| 9 | ARM1058 | BOLT & GASKET KIT | |
| 10 | ARM1014 | FLANGE GASKET | |
| CP(N,L)401-751, CS(N,L)495-745 | | | ARM3044PABTE 1/4 HP |
| ITEM NO. | PART NUMBER | DESCRIPTION | |
| 1 | ARM1045 | MOTOR | |
| 2 | ARM1007 | COUPLER | |
| 3 | ARM1046 | SEAL BEARING ASSEMBLY | |
| 4 | ARM1011 | VOLUTE GASKET | |
| 5 | ARM1002 | BEARING MODULE | |
| 6 | ARM1001 | SEAL KIT | |
| 7 | ARM1023 | IMPELLER | |
| 8 | ARM1033 | FLANGE - 2" (REQ. 2) | |
| 9 | ARM1058 | BOLT & GASKET KIT | |
| 10 | ARM1014 | FLANGE GASKET | |
| CF(N,L) 991-2071 & 990-2070 , CW(N,L) 986-2066 & 985-2065 | | | ARM3024PAB(PBF) 1/2 HP |
| ITEM NO. | PART NUMBER | DESCRIPTION | |
| 1 | ARM1016 | MOTOR | |
| 2 | ARM1008 | COUPLER | |
| 3 | ARM1005 | SEAL BEARING ASSEMBLY | |
| 4 | ARM1010 | VOLUTE GASKET | |
| 5 | ARM1002 | BEARING MODULE | |
| 6 | ARM1001 | SEAL KIT | |
| 7 | ARM1026 | IMPELLER | |
| 8 | TFL2079 | FLANGE PAB - 2.5" (REQ. 2) | |
| 8 | ARM1030 | FLANGE PBF - 2.5" (REQ. 2) | |
| 9 | ARM1050 | BOLT & GASKET KIT | |
| 10 | ARM1013 | FLANGE GASKET | |
| CP(N,L) 991-1441 & 990-2070, CS(N,L)985-2065 | | | ARM3024PABTE 1/2 HP |
| ITEM NO. | PART NUMBER | DESCRIPTION | |
| 1 | ARM1040 | MOTOR | |
| 2 | ARM1008 | COUPLER | |
| 3 | ARM1005 | SEAL BEARING ASSEMBLY | |
| 4 | ARM1010 | VOLUTE GASKET | |
| 5 | ARM1002 | BEARING MODULE | |
| 6 | ARM1001 | SEAL KIT | |
| 7 | ARM1026 | IMPELLER | |
| 8 | TFL2079 | FLANGE - 2.5" (REQ. 2) | |
| 9 | ARM1060 | BOLT & GASKET KIT | |
| 10 | ARM1013 | FLANGE GASKET | |
| CP(N,L) 1801-2071 | | | ARM3072PABTE 3/4 HP |
| ITEM NO. | PART NUMBER | DESCRIPTION | |
| 1 | ARM1069 | MOTOR | |
| 2 | ARM1008 | COUPLER | |
| 3 | ARM1005 | SEAL BEARING ASSEMBLY | |
| 4 | ARM1010 | VOLUTE GASKET | |
| 5 | ARM1002 | BEARING MODULE | |
| 6 | ARM1001 | SEAL KIT | |
| 7 | ARM1051 | IMPELLER | |
| 8 | TFL2079 | FLANGE - 2.5" (REQ. 2) | |
| 9 | ARM1050 | BOLT & GASKET KIT | |
| 10 | ARM1013 | FLANGE GASKET | |

PLEASE HAVE MODEL AND SERIAL NUMBER WHEN ORDERING PARTS

| PF(N,L)250-1000 BEFORE A05H00172528 | | | ARM3022PAB(PBF) 1/2 HP |
|--------------------------------------|-------------|----------------------------------|------------------------|
| ITEM NO. | PART NUMBER | DESCRIPTION | |
| 1 | ARM1017 | MOTOR | |
| 2 | ARM1008 | COUPLER | |
| 3 | ARM1005 | SEAL BEARING ASSEMBLY | |
| 4 | ARM1010 | VOLUTE GASKET | |
| 5 | ARM1002 | BEARING MODULE | |
| 6 | ARM1001 | SEAL KIT | |
| 7 | ARM1026 | IMPELLER | |
| 8 | ARM1032 | FLANGE PAB - 2" (REQ. 2) | |
| 8 | ARM1009 | FLANGE PBF - 2" (REQ. 2) | |
| 9 | ARM1053 | BOLT & GASKET KIT | |
| 10 | ARM1013 | FLANGE GASKET | |
| PF(N,L)501 A05H00172528 & AFTER | | | PUM3006 2/5 HP |
| PF(N,L)502 - 1302 | | | PUM3013 2/5 HP |
| ITEM NO. | PART NUMBER | DESCRIPTION | |
| 1A | PUM10002 | PUMP LESS VOLUTE | |
| 4A | ARM1063 | VOLUTE GASKET | |
| 8A | ARM1032 | FLANGE - 2" (REQ. 2) | |
| 9A | ARM1053 | BOLT & GASKET KIT | |
| 10A | ARM1013 | FLANGE GASKET | |
| PF(N,L)751-1300 A05H00172528 & AFTER | | | ARM3025PAB 1/2 HP |
| ITEM NO. | PART NUMBER | DESCRIPTION | |
| 1 | ARM1067 | MOTOR | |
| 2 | ARM1008 | COUPLER | |
| 3 | ARM1005 | SEAL BEARING ASSEMBLY | |
| 4 | ARM1010 | VOLUTE GASKET | |
| 5 | ARM1002 | BEARING MODULE | |
| 6 | ARM1001 | SEAL KIT | |
| 7 | ARM1026 | IMPELLER | |
| 8 | TFL2079 | FLANGE - 2.5" (REQ. 2) | |
| 9 | ARM1060 | BOLT & GASKET KIT | |
| 10 | ARM1013 | FLANGE GASKET | |
| PF(N,L)1501-2001 & 1500-2000 | | | ARM3077PAB(PBF) 3/4 HP |
| ITEM NO. | PART NUMBER | DESCRIPTION | |
| 1 | ARM1049 | MOTOR | |
| 2 | ARM1008 | COUPLER | |
| 3 | ARM1005 | SEAL BEARING ASSEMBLY | |
| 4 | ARM1010 | VOLUTE GASKET | |
| 5 | ARM1002 | BEARING MODULE | |
| 6 | ARM1001 | SEAL KIT | |
| 7 | ARM1051 | IMPELLER | |
| 8 | TFL2079 | FLANGE PAB & PBF - 2.5" (REQ. 2) | |
| 9 | ARM1060 | BOLT & GASKET KIT | |
| 10 | ARM1013 | FLANGE GASKET | |
| CW2620-M9 & CWN3080-M9-100 | | | ARM3032PAB(PBF) 1/3 HP |
| ITEM NO. | PART NUMBER | DESCRIPTION | |
| 1 | ARM1020 | MOTOR | |
| 2 | ARM1007 | COUPLER | |
| 3 | ARM1046 | SEAL BEARING ASSEMBLY | |
| 4 | ARM1011 | VOLUTE GASKET | |
| 5 | ARM1002 | BEARING MODULE | |
| 6 | ARM1001 | SEAL KIT | |
| 7 | ARM1024 | IMPELLER | |
| 8 | ARM1068 | FLANGE PAB - 3" (REQ. 2) | |
| 8 | ARM1027 | FLANGE PBF - 3" (REQ. 2) | |
| 9 | ARM1072 | BOLT & GASKET KIT | |
| 10 | ARM1014 | FLANGE GASKET | |

PLEASE HAVE MODEL AND SERIAL NUMBER WHEN ORDERING PARTS

| ITEM NO. | PART NUMBER | DESCRIPTION |
|----------|-------------|----------------------------|
| 1A | PUM10000 | PUMP LESS VOLUTE |
| 4A | ARM1063 | VOLUTE GASKET |
| 8A | ARM1080 | FLANGE PAB - 1.5" (REQ. 2) |
| 8A | ARM1036 | FLANGE PBF - 1.5" (REQ. 2) |
| 9A | ARM1057 | BOLT & GASKET KIT |
| 10A | ARM1081 | FLANGE GASKET |

EP150-300 ARM3074PAB(PBF) 1/6 HP

| ITEM NO. | PART NUMBER | DESCRIPTION |
|----------|-------------|--------------------------|
| 1A | PUM10001 | PUMP LESS VOLUTE |
| 4A | ARM1063 | VOLUTE GASKET |
| 8A | ARM1032 | FLANGE PAB - 2" (REQ. 2) |
| 8A | ARM1009 | FLANGE PBF - 2" (REQ. 2) |
| 9A | ARM1053 | BOLT & GASKET KIT |
| 10A | ARM1048 | FLANGE GASKET |

IB-IW(N,L)1500-2000 ARM3072PAB(PBF) 3/4 HP

| ITEM NO. | PART NUMBER | DESCRIPTION |
|----------|-------------|----------------------------------|
| 1 | ARM1049 | MOTOR |
| 2 | ARM1008 | COUPLER |
| 3 | ARM1005 | SEAL BEARING ASSEMBLY |
| 4 | ARM1010 | VOLUTE GASKET |
| 5 | ARM1002 | BEARING MODULE |
| 6 | ARM1001 | SEAL KIT |
| 7 | ARM1051 | IMPELLER |
| 8 | TFL2079 | FLANGE PAB & PBF - 2.5" (REQ. 2) |
| 9 | ARM1060 | BOLT & GASKET KIT |
| 10 | ARM1013 | FLANGE GASKET |

AW150-199 PUM3010 1/6 HP

| ITEM NO. | PART NUMBER | DESCRIPTION |
|----------|-------------|-------------------------|
| 1A | PUM10003 | PUMP LESS VOLUTE |
| 4A | ARM1063 | VOLUTE GASKET |
| 8A | ARM1078 | FLANGE - 1.25" (REQ. 2) |
| 9A | ARM1074 | BOLT & GASKET KIT |
| 10A | ARM1015 | FLANGE GASKET |

AW285 PUM3011 2/5 HP

| ITEM NO. | PART NUMBER | DESCRIPTION |
|----------|-------------|--|
| 1A | PUM10004 | PUMP LESS VOLUTE |
| 4A | ARM1063 | VOLUTE GASKET |
| 8A | TFL2096 | FLANGE - 2" (REQ. 2) |
| 9A | ARM1074 | BOLT & GASKET KIT |
| 10A | ARM1015 | FLANGE GASKET |
| - | TFL2117 | PUMP FLANGE AND HARDWARE KIT USED PRIOR TO C08 |

AW399 PUM3012 2/5 HP

| ITEM NO. | PART NUMBER | DESCRIPTION |
|----------|-------------|--|
| 1A | PUM10006 | PUMP LESS VOLUTE |
| 4A | ARM1063 | VOLUTE GASKET |
| 8A | TFL2096 | FLANGE - 2" (REQ. 2) |
| 9A | ARM1057 | BOLT & GASKET KIT |
| 10A | ARM1081 | FLANGE GASKET |
| - | TFL2118 | PUMP FLANGE AND HARDWARE KIT USED PRIOR TO C08 |

AW500-600 PUM30003 2/5 HP

| ITEM NO. | PART NUMBER | DESCRIPTION |
|----------|-------------|----------------------|
| 1A | PUM10005 | PUMP LESS VOLUTE |
| 4A | ARM1063 | VOLUTE GASKET |
| 8A | TFL2096 | FLANGE - 2" (REQ. 2) |
| 9A | ARM1057 | BOLT & GASKET KIT |
| 10A | ARM1081 | FLANGE GASKET |

PLEASE HAVE MODEL AND SERIAL NUMBER WHEN ORDERING PARTS