



---

# Customer information packet

## EM2513T

15HP, 1765RPM, 3PH, 60HZ, 254T, 3948M, OPSB, F1

Class - None

Division - Not Applicable

## Specifications

Enclosure	OPSB
Frame	254T
Frame Material	Steel
Frequency	60.00 Hz
Motor Letter Type	Three Phase
Output @ Frequency	15.000 HP @ 60 HZ
Phase	3
Synchronous Speed @ Frequency	1800 RPM @ 60 HZ
Voltage @ Frequency	230.0 V @ 60 HZ 460.0 V @ 60 HZ
XP Class and Group	None
XP Division	Not Applicable
Agency Approvals	CSA EEV CURUSEEV NEMA PREMIUM NEMA_PREMIUM UR
Ambient Temperature	40 °C
Auxillary Box	No Auxillary Box
Auxillary Box Lead Termination	None
Base Indicator	Rigid
Bearing Grease Type	Polyrex EM (-20F +300F)
Blower	None
Current @ Voltage	36.400 A @ 230.0 V 39.000 A @ 208.0 V 18.200 A @ 460.0 V
Design Code	A
Drip Cover	No Drip Cover
Duty Rating	CONT
Efficiency @ 100% Load	93.0 %
Electrically Isolated Bearing	Not Electrically Isolated
Feedback Device	NO FEEDBACK

## Part detail

Revision	U
Type	AC
Mech. spec.	39K57
Base	
Status	PRD/A
Elec. spec.	39WGY375
Layout	39LYK057
Eff. date	11-27-2023
CD Diagram	CD0180
Poles	04
Leads	9#12
Proprietary	False
Created date	06-30-2017

Front Face Code	Standard
Front Shaft Indicator	None
Heater Indicator	No Heater
High Voltage Full Load Amps	18.2 a
Insulation Class	F
Inverter Code	Inverter Ready
IP Rating	NONE
KVA Code	J
Lifting Lugs	Standard Lifting Lugs
Locked Bearing Indicator	No Locked Bearing
Motor Lead Exit	Ko Box
Motor Lead Quantity/Wire Size	9 @ 12 AWG
Motor Lead Termination	Flying Leads
Motor Standards	NEMA
Motor Type	3948M
Mounting Arrangement	F1
Number of Poles	4
Overall Length	23.19 IN
Power Factor	83
Product Family	General Purpose
Pulley End Bearing Type	Ball
Pulley Face Code	Standard
Pulley Shaft Indicator	Standard
Rodent Screen	None
Service Factor	1.15
Shaft Diameter	1.625 IN
Shaft Extension Location	Pulley End
Shaft Ground Indicator	No Shaft Grounding
Shaft Rotation	Reversible
Shaft Slinger Indicator	No Slinger
Speed	1770 rpm
Speed Code	Single Speed
Starting Method	Direct on line
Thermal Device - Bearing	None

<b>Thermal Device - Winding</b>	None
<b>Vibration Sensor Indicator</b>	No Vibration Sensor
<b>Winding Thermal 1</b>	None
<b>Winding Thermal 2</b>	None

**Nameplate**

NP3554LUA										
<b>CAT.NO.</b>	EM2513T			<b>P/N</b>				<b>ENCL</b>		<b>OPSB</b>
<b>SPEC.</b>	39K057Y375	<b>CC</b>	010A	<b>FRAME</b>	254T		<b>SER.NO.</b>			
<b>HP</b>	15		<b>CLASS</b>	F	<b>HZ</b>	60				
<b>RPM</b>	1770		<b>PH</b>	3	<b>DES</b>	A				
<b>VOLTS</b>	230/460		<b>CODE</b>	J	<b>ODE BRG</b>	6208	<b>DE BRG</b>	6309		
<b>AMPS</b>	36.4/18.2		<b>USABLE AT 208V</b>	N/A						
<b>RATING</b>	40C AMB-CONT		<b>NEMA-NOM-EFF</b>	93	<b>GREASE</b>	POLYREX EM				
<b>PF</b>	83	<b>SER.F.</b>	1.15		<b>CT30-60(2:1) VT3-60(20:1)</b>					
<b>USABLE AT</b>	50HZ 15HP 190/380V 44/22A			SF 1.0						
<b>HTR-VOLTS</b>	<b>HTR-AMPS</b>		<b>MAX. SPACE HEATER TEMP.</b>							

**Accessories**

<b>Part number</b>	<b>Description</b>	<b>Multiplier</b>
39-3400	C FACE KIT	A8

**AC Induction Motor Performance Data**

Record # 93498

Typical performance - not guaranteed values

<b>Winding:</b> 39WGY375-R001		<b>Type:</b> 3948M		<b>Enclosure:</b> OPSB	
<b>Nameplate Data</b>			<b>460 V, 60 Hz: High Voltage Connection</b>		
<b>Rated Output (HP)</b>	15	<b>Full Load Torque</b>	44.57 LB-FT		
<b>Volts</b>	230/460	<b>Start Configuration</b>	direct on line		
<b>Full Load Amps</b>	36/18	<b>Breakdown Torque</b>	171 LB-FT		
<b>R.P.M.</b>	1770	<b>Pull-up Torque</b>	79.1 LB-FT		
<b>Hz</b>	60	<b>Locked-rotor Torque</b>	100 LB-FT		
<b>NEMA Design Code</b>	A	<b>Starting Current</b>	137 A		
<b>Service Factor (S.F.)</b>	1.15	<b>No-load Current</b>	7.62 A		
<b>NEMA Nom. Eff.</b>	93	<b>Line-line Res. @ 25°C</b>	0.5794 Ω		
<b>Rating - Duty</b>	40C AMB-CONT	<b>Temp. Rise @ Rated Load</b>	29°C		
<b>S.F. Amps</b>		<b>Temp. Rise @ S.F. Load</b>	35°C		
		<b>Locked-rotor Power Factor</b>	32.8		

**Load Characteristics 460 V, 60 Hz, 15 HP**

<b>% of Rated Load</b>	<b>25</b>	<b>50</b>	<b>75</b>	<b>100</b>	<b>125</b>	<b>150</b>	<b>S.F.</b>
<b>Power Factor</b>	45	68	78	83	86	87	85
<b>Efficiency</b>	88.6	92.6	93.3	93.1	92.5	91.7	92.7
<b>Speed</b>	1794.2	1788	1781.2	1773.7	1766.3	1758.2	1769
<b>Line amperes</b>	8.77	11.2	14.5	18.2	22.1	26.4	20.5

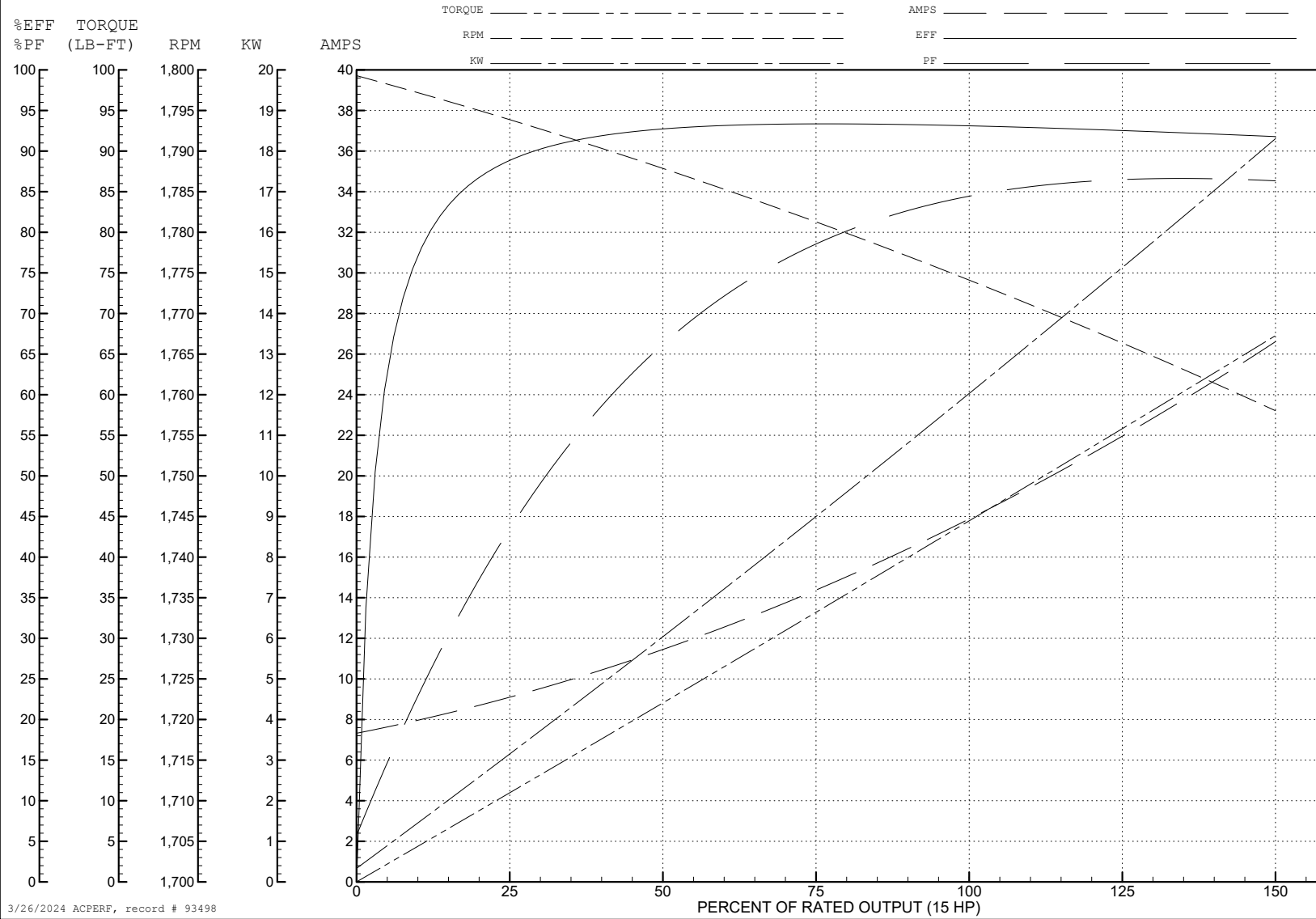
ABB Motors and Mechanical Inc.

WINDING # 39WGY375

Typical performance - not guaranteed values.

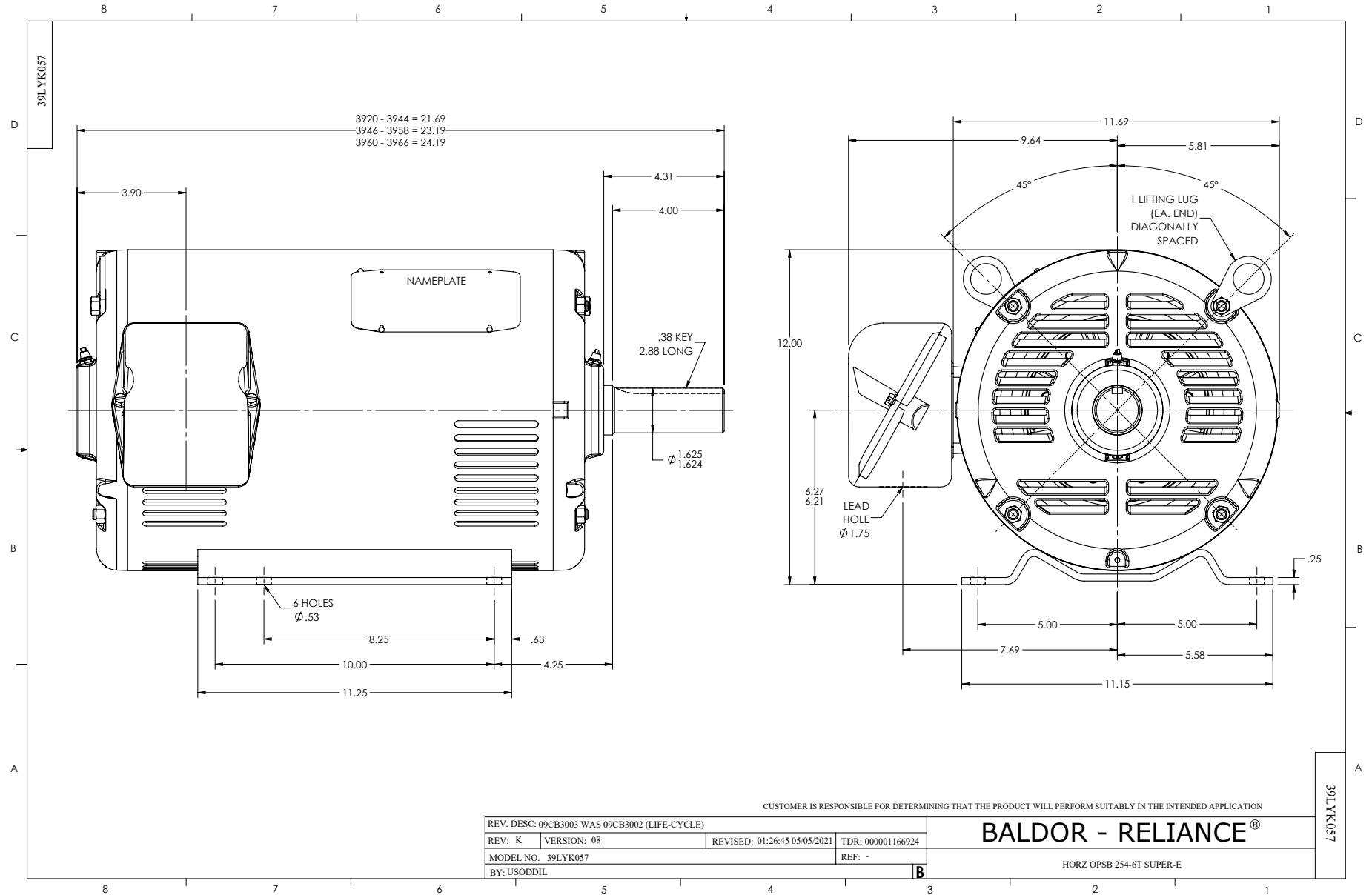
15 HP 3 PH 60 HZ 1770 RPM 460 V 3948M

TORQUES (LB-FT): PO=171 PU=79.1 LR=100 LRA=137

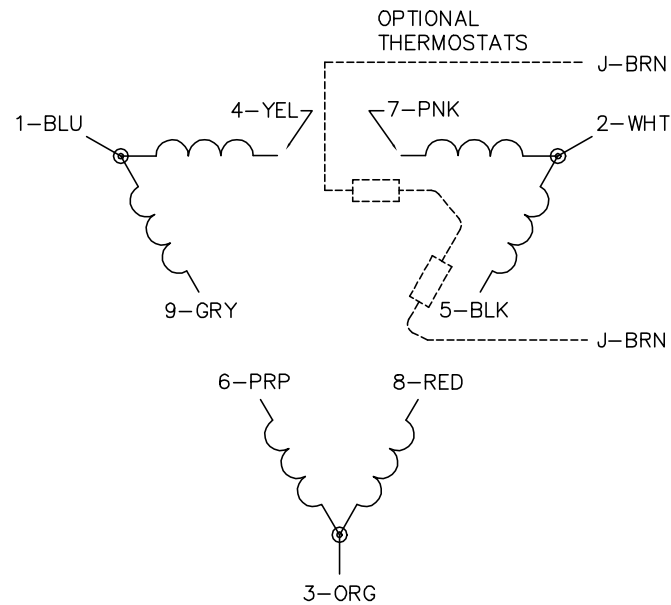


3/26/2024 ACPERF, record # 93498

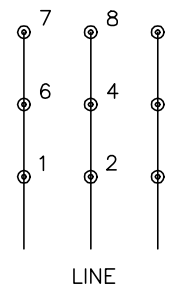




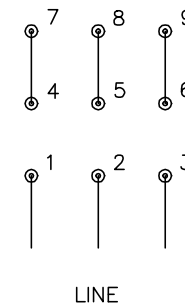
CD0180



LOW VOLTAGE  
(2D)



HIGH VOLTAGE  
(1D)



NOTES:

1. INTERCHANGE ANY TWO LINE LEADS TO REVERSE ROTATION.
2. OPTIONAL THERMOSTATS ARE PROVIDED WHEN SPECIFIED.
3. ACTUAL NUMBER OF INTERNAL PARALLEL CIRCUITS MAY BE A MULTIPLE OF THOSE SHOWN ABOVE.
4. LEAD COLORS ARE OPTIONAL. LEADS MUST ALWAYS BE NUMBERED AS SHOWN.

CD0180

REV. DESC: ADD CLASS CONN00000007		
REV. LTR: D	VERSION: 01	TDR: 000001099922
FILE: \AAA\00005\148	REVISED: 10: 25: 29 02/19/2019	BY: ENBRIRO
MTL: -	© □	

**BALDOR - RELIANCE®**

3PH, DV, 9 LEADS, DELTA CONNECTION

SH 1 of 1