
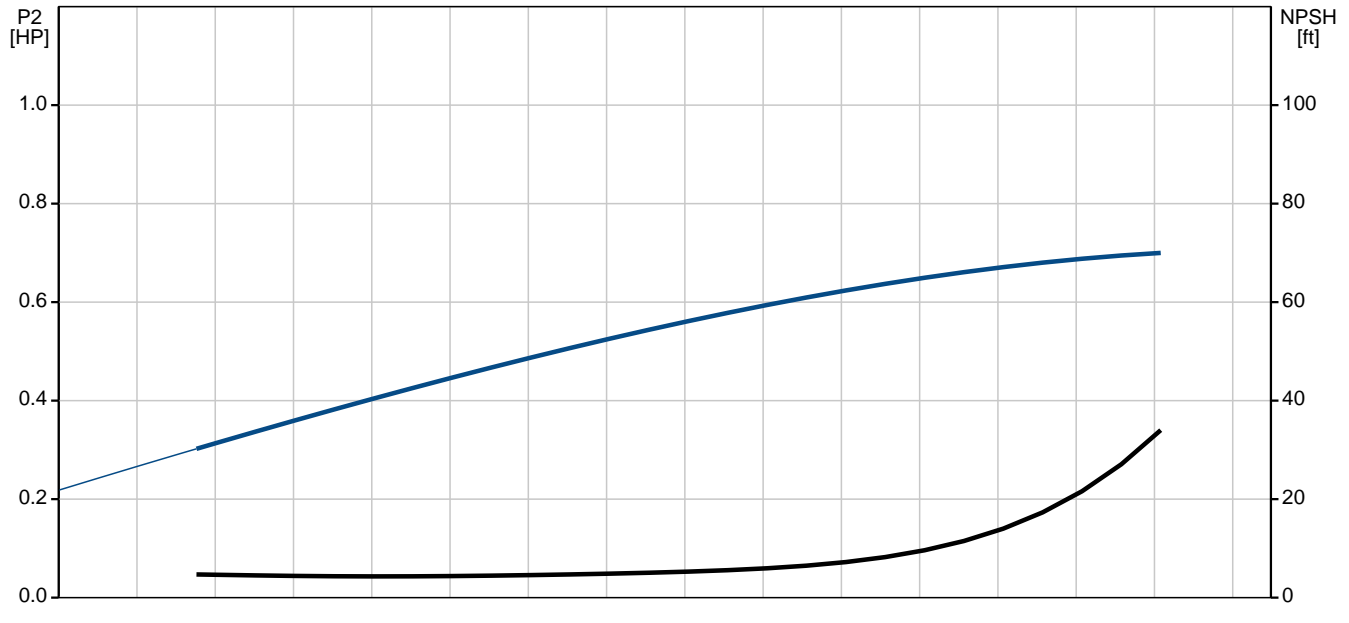
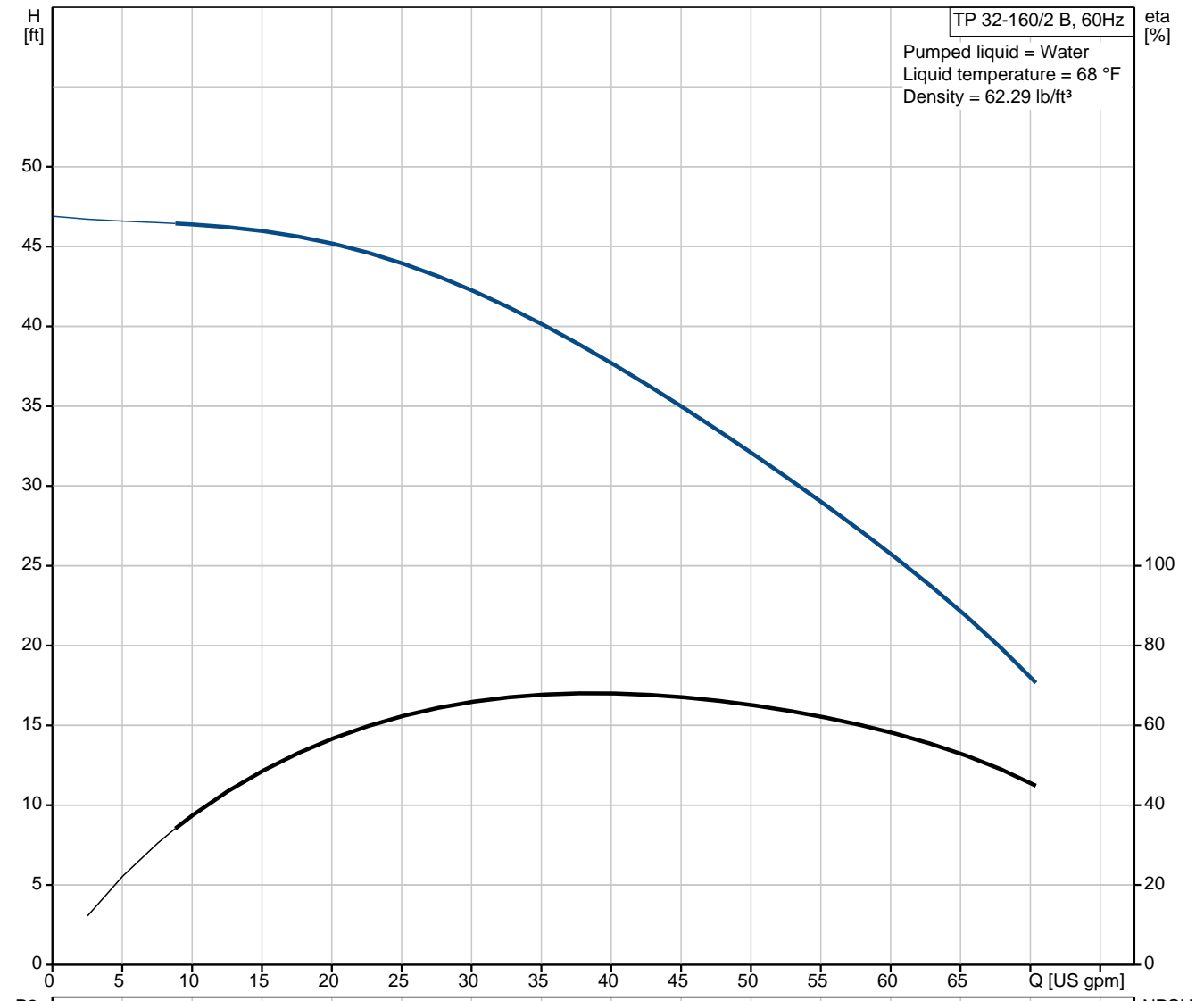


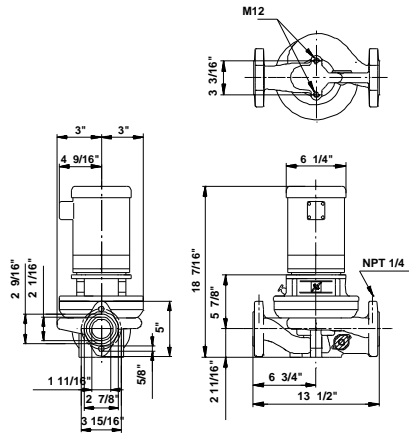
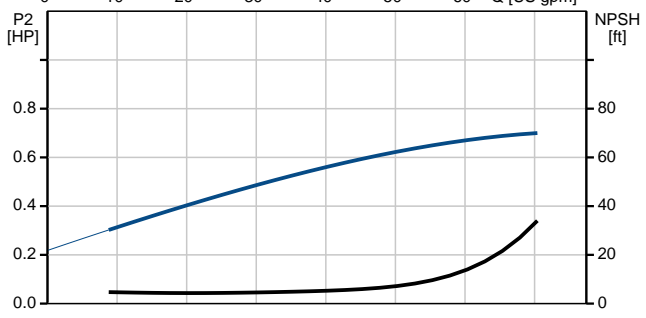
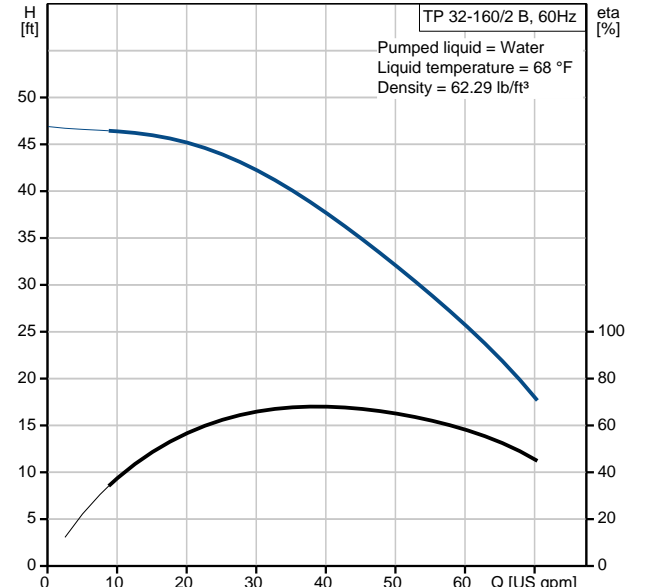
Position	Count	Description
	1	<p>TP 32-160/2 B U-G-Z-BUBE</p>  <p style="text-align: right;">Product photo could vary from the actual product</p> <p>Product No.: 96411788</p> <p>Single-stage centrifugal volute in-line single-head pump:</p> <ul style="list-style-type: none"> - neck rings and impeller made of stainless steel - cataphoresis treatment - shell coupling - top-pull-out principle for easy maintenance - optimized hydraulics - in-line design with opposite suction and discharge ports enabling mounting in pipework or on a concrete foundation - corrosion resistant maintenance-free mechanical shaft seal. <p>The motor is a 1-phase AC motor.</p> <p>Liquid: Liquid temperature range: 5 .. 284 °F</p> <p>Technical: Speed for pump data: 3490 rpm Rated flow: 38.7 US gpm Rated head: 38.4 ft Shaft seal: BUBE Approvals on motor nameplate: UL Recognized Component, CSA Curve tolerance: ISO 9906:1999 Annex A</p> <p>Materials: Pump housing: Bronze DIN W.-Nr. 2.1093 Impeller: Stainless steel DIN W.-Nr. 1.4301 AISI 304</p> <p>Installation: Maximum ambient temperature: 104 °F Maximum operating pressure: 145 psi Flange standard: USA Pipe connection: 1 1/2"</p> <p>Electrical data: Motor type: Baldor, TEFC Number of poles: 2 Rated power - P2: 0.75 HP Main frequency: 60 Hz Rated voltage: 1 x 115/208-230 V Service factor: 1,25 Rated current: 9,6/5-4,8 A</p>

Position	Count	Description
		<p>Starting current: 56/31-28 A</p> <p>Cos phi - power factor: 74</p> <p>Rated speed: 3450 rpm</p> <p>Motor efficiency at full load: 66 %</p> <p>Insulation class (IEC 85): B</p> <p>Others:</p> <p>Net weight: 60.9 lb</p> <p>Gross weight: 66 lb</p> <p>Shipping volume: 1.98 ft³</p>

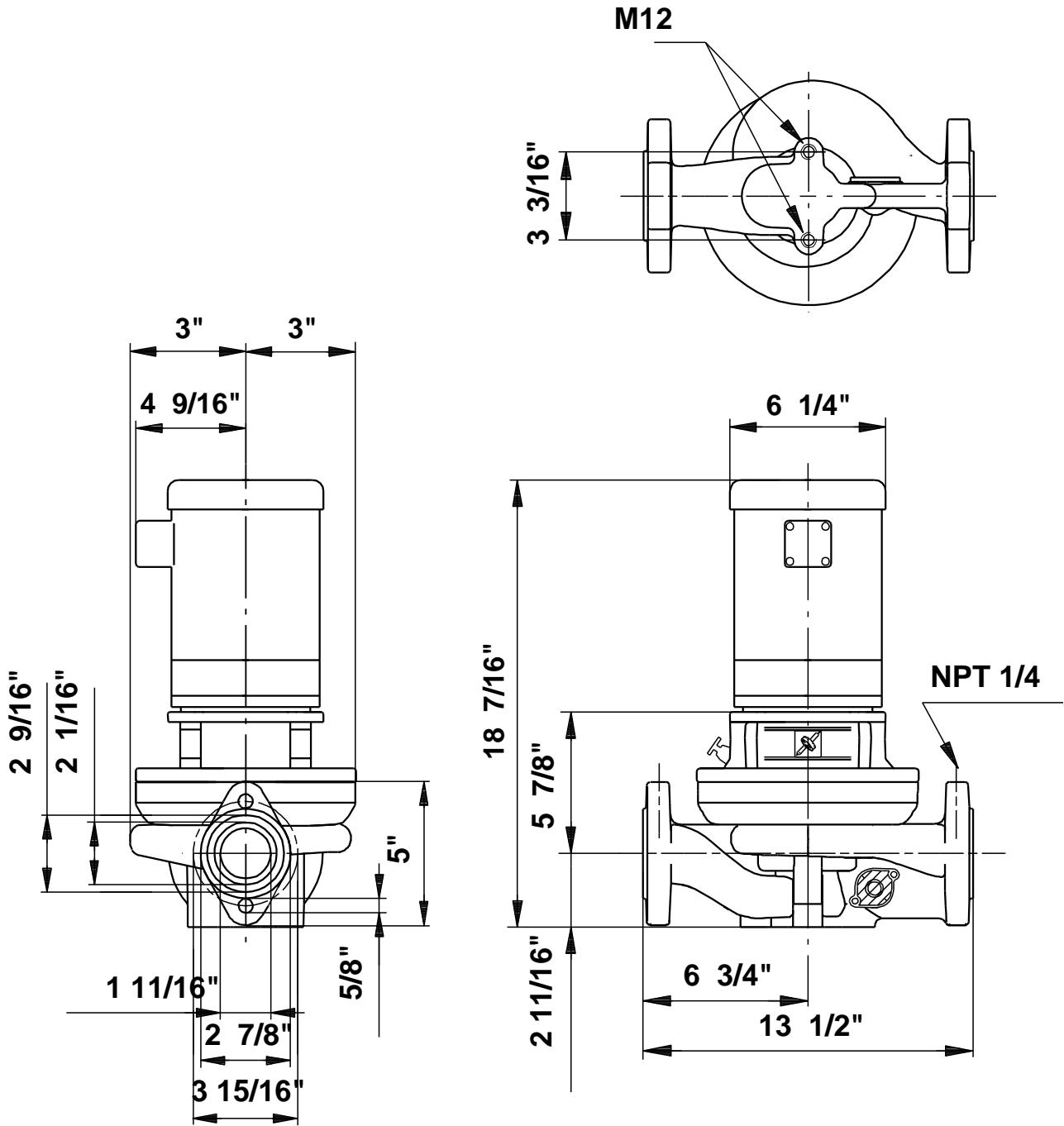
96411788 TP 32-160/2 B 60 Hz



Description	Value
General information:	
Product name:	TP 32-160/2 B U-G-Z-BUBE
Position	
Product No.:	96411788
EAN:	5700390523770
Price:	On request
Technical:	
Speed for pump data:	3490 rpm
Rated flow:	38.7 US gpm
Rated head:	38.4 ft
Head max:	52.5 ft
Shaft seal:	BUBE
Approvals on motor nameplate:	UL Recognized Component, CSA
Curve tolerance:	ISO 9906:1999 Annex A
Pump Number:	96405252
Pump version:	U
Materials:	
Pump housing:	Bronze
	DIN W.-Nr. 2.1093
Impeller:	Stainless steel
	DIN W.-Nr. 1.4301
	AISI 304
Material code:	Z
Installation:	
Maximum ambient temperature:	104 °F
Maximum operating pressure:	145 psi
Flange standard:	USA
Connect code:	G
Pipe connection:	1 1/2"
Liquid:	
Liquid temperature range:	5 .. 284 °F
Electrical data:	
Motor type:	Baldor, TEFC
Number of poles:	2
Rated power - P2:	0.75 HP
KVA code:	K
Main frequency:	60 Hz
Rated voltage:	1 x 115/208-230 V
Service factor:	1,25
Rated current:	9,6/5-4,8 A
Starting current:	56/31-28 A
Load current:	11,4/6-5,7 A
Cos phi - power factor:	74
Rated speed:	3450 rpm
Motor efficiency at full load:	66 %
Insulation class (IEC 85):	B
Motor protection:	NONE
Motor Number:	84Z04001
Others:	
Net weight:	60.9 lb
Gross weight:	66 lb
Shipping volume:	1.98 ft³
Country code:	Namreg



96411788 TP 32-160/2 B 60 Hz



Note! All units are in [mm] unless otherwise stated.
 Disclaimer: This simplified dimensional drawing does not show all details.