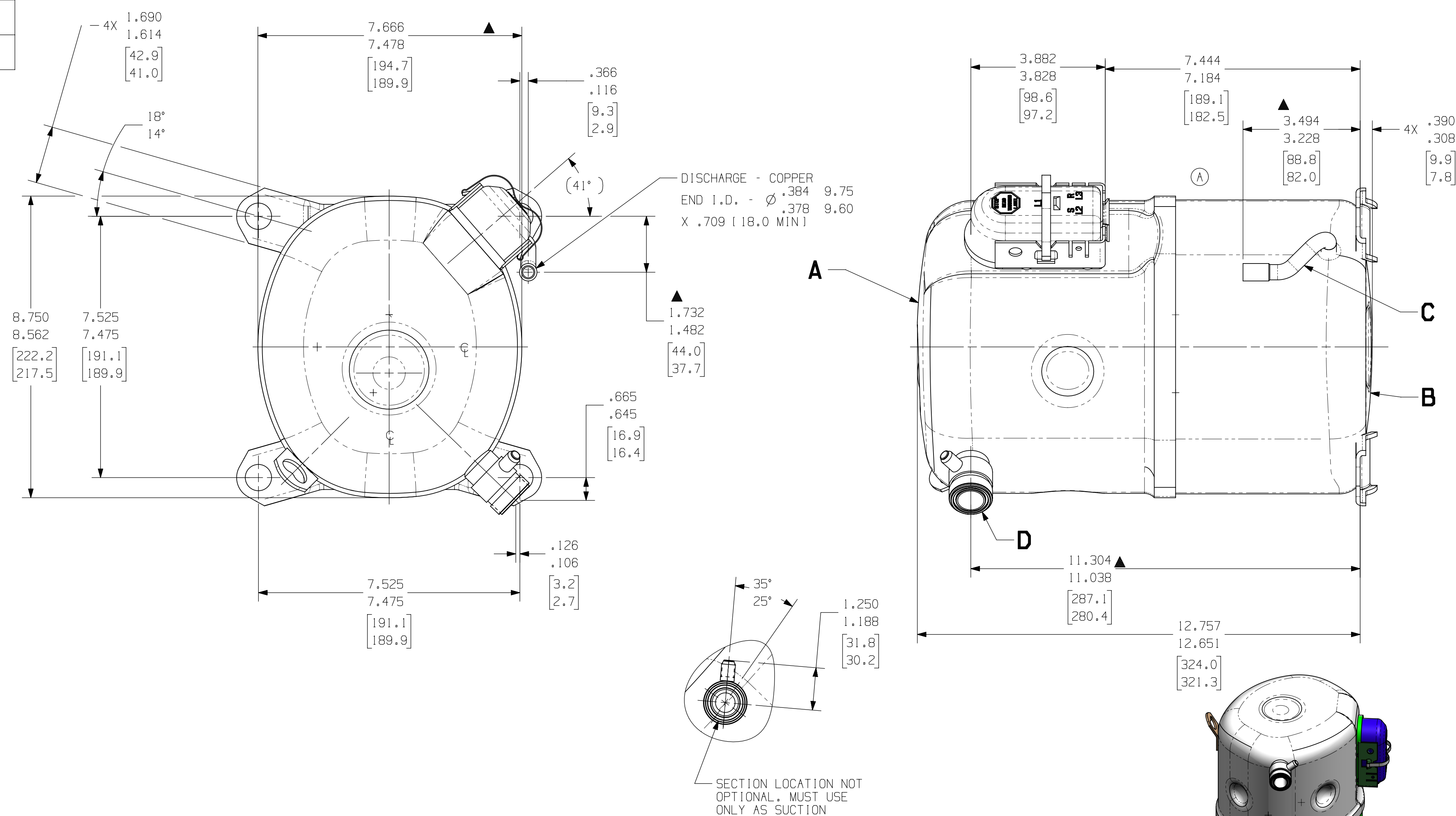


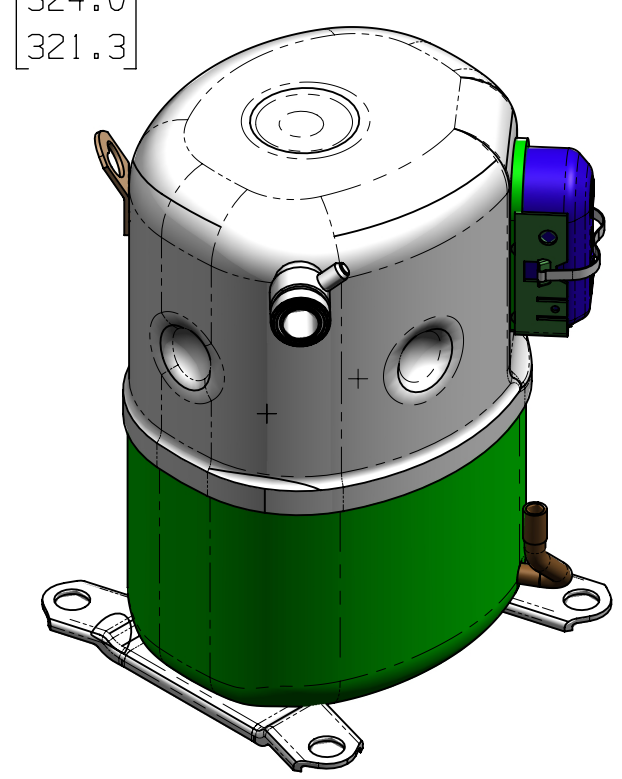
A	HA642-25
B	HA674-03
C	34711
D	40518-1

DWG NO.
DCAW111



- NOTES:
1. IF SPECIFIED ON BILL OF MATERIAL, ASSEMBLE THESE PARTS AS SHOWN.
 2. SEE SPEC. "A-B" AND "A-C" FOR PROCESSING.
 - ▲ 3. MUST COMPLY WITH T.P.CO. GLOBAL SPEC. 08.

DIMENSIONING : INCHES
(MILLIMETERS)



SCALE 1:4

ENGLISH

Q. A. SYMBOLS

- ★ = CATEGORY I
- ▲ = CATEGORY II
- = CATEGORY III
- = CATEGORY IV

EC89282 ATC		BD	12MAR19		T.M.G		06JUL01		DATE		THIS DRAWING OR PRINT (1:1) IS THE PROPERTY OF TECUMSEH PRODUCTS CO. AND IS NOT TO BE REPRODUCED OR TRANSMITTED IN ANY FORM OR BY ANY MEANS, ELECTRONIC OR MECHANICAL, WITHOUT THE WRITTEN CONSENT OF TECUMSEH PRODUCTS CO. ANY INFORMATION CONTAINED HEREIN IS UNCLASSIFIED EXCEPT WHERE SHOWN OTHERWISE. THIS INFORMATION IS UNCLASSIFIED EXCEPT WHERE SHOWN OTHERWISE. THIS INFORMATION IS UNCLASSIFIED EXCEPT WHERE SHOWN OTHERWISE.		DIS.CODE		DESCRIPTION		
D	REMODELED IN 3D TO MATCH DRAWING	C	2B	WAS -32	B	2B	A	5E	WAS 2-156-2-406 54-8-61.1	REL	#233955-151	SALES COMPRESSOR		SCALE 1:2 & NOTED		THIS PRINT SUPERSEDES ALL PRINTS PRIOR TO	
MATERIAL												NOTED		DCAW111			
ANN ARBOR, MICHIGAN												DCAW111		DCAW111			