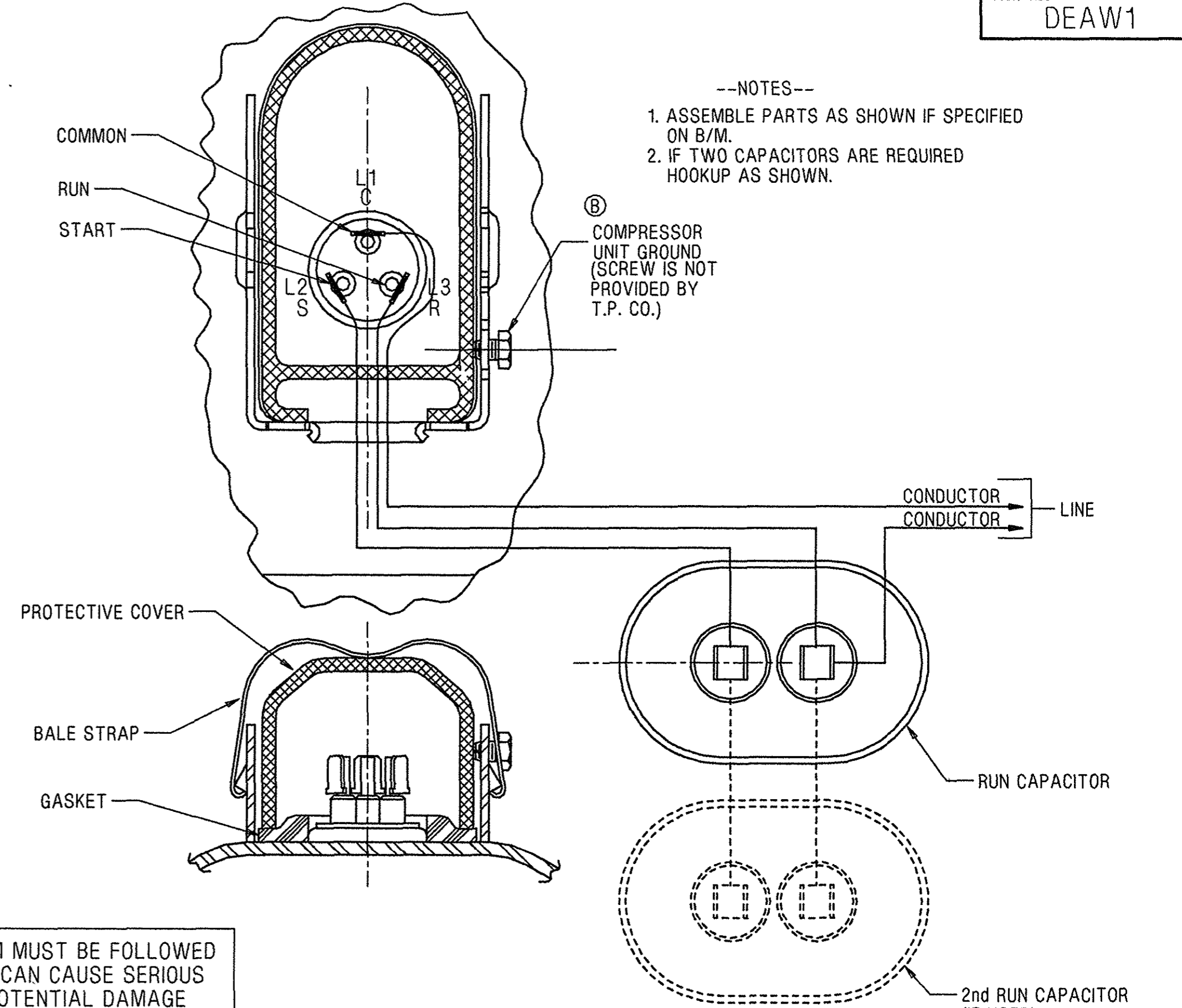
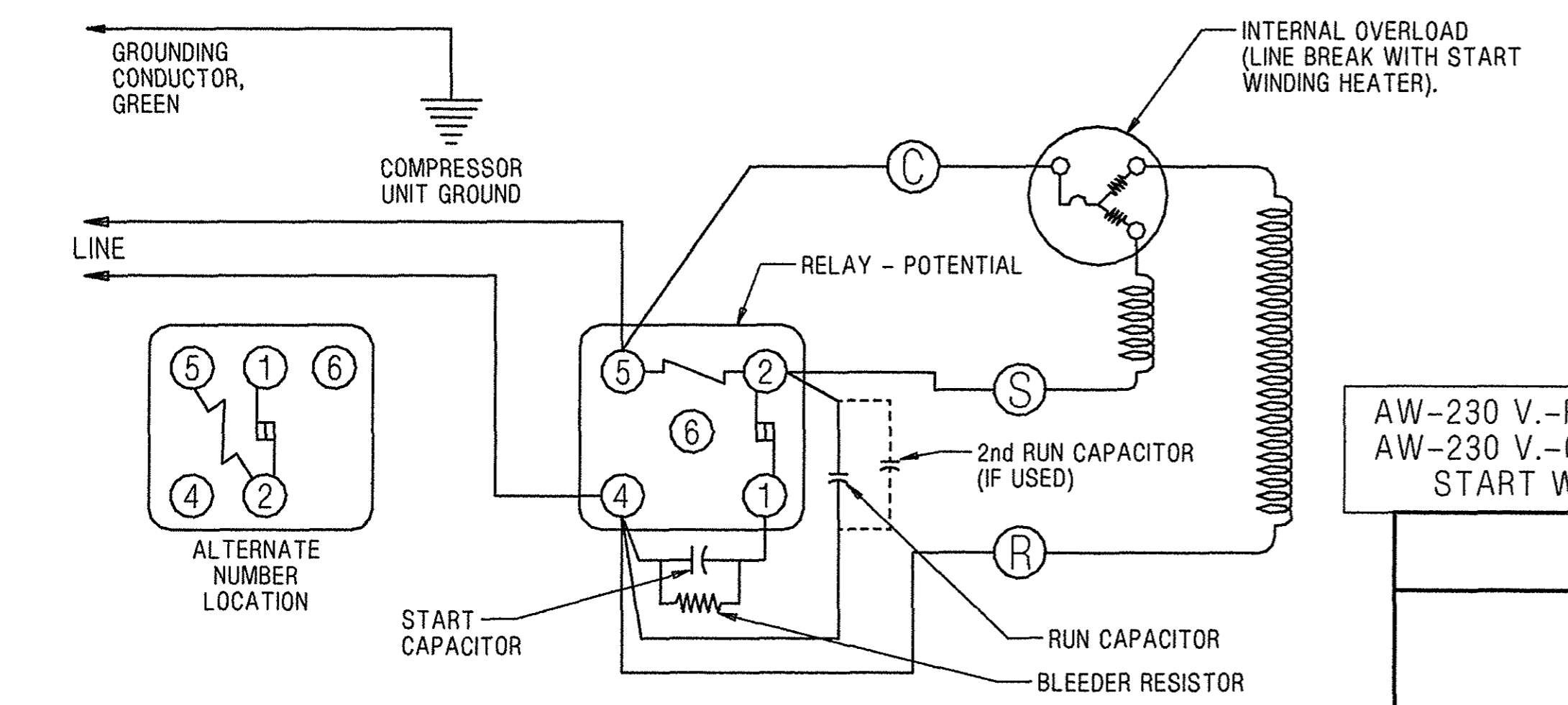
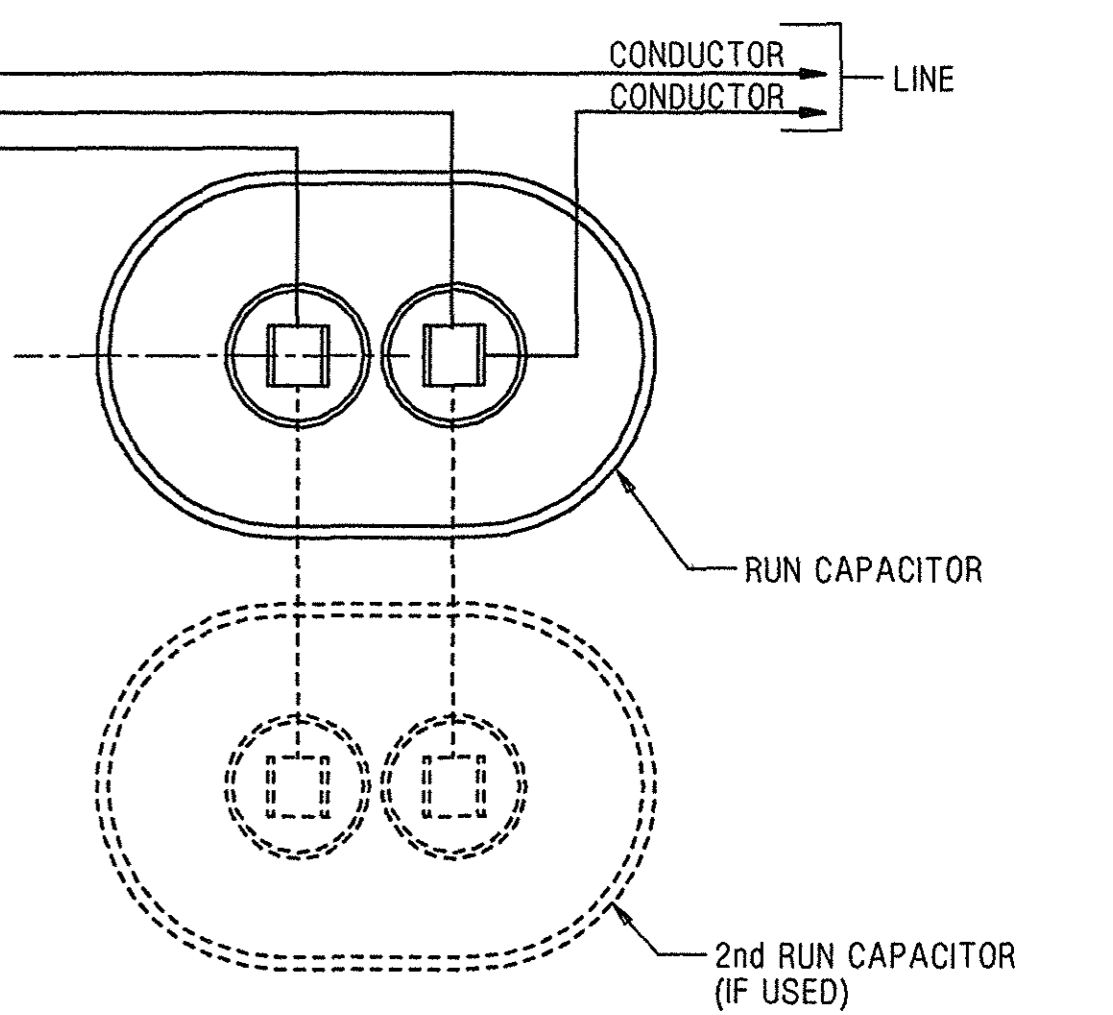
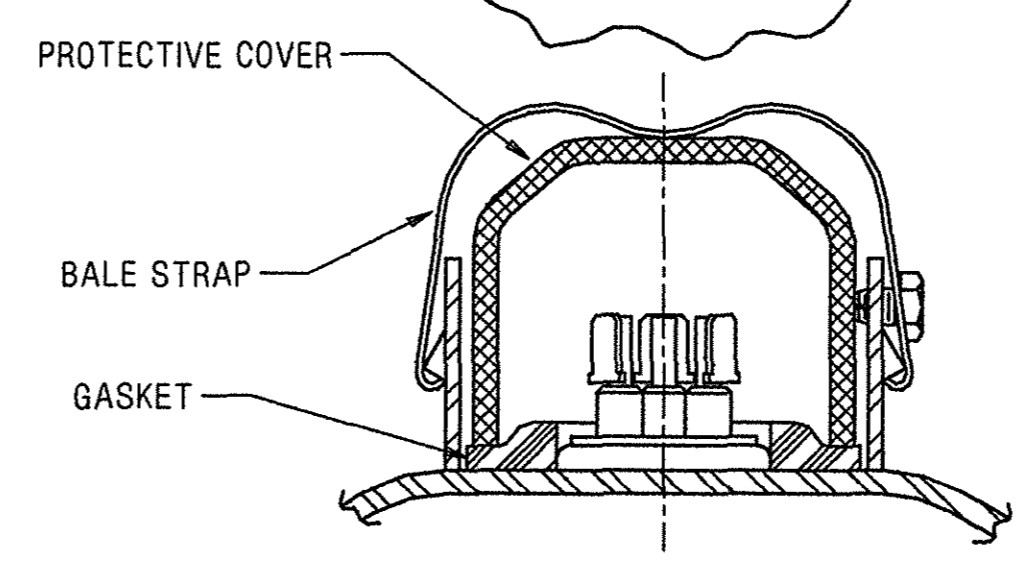


- NOTES--
1. ASSEMBLE PARTS AS SHOWN IF SPECIFIED ON B/M.
  2. IF TWO RUN CAPACITORS ARE REQUIRED HOOKUP AS SHOWN.

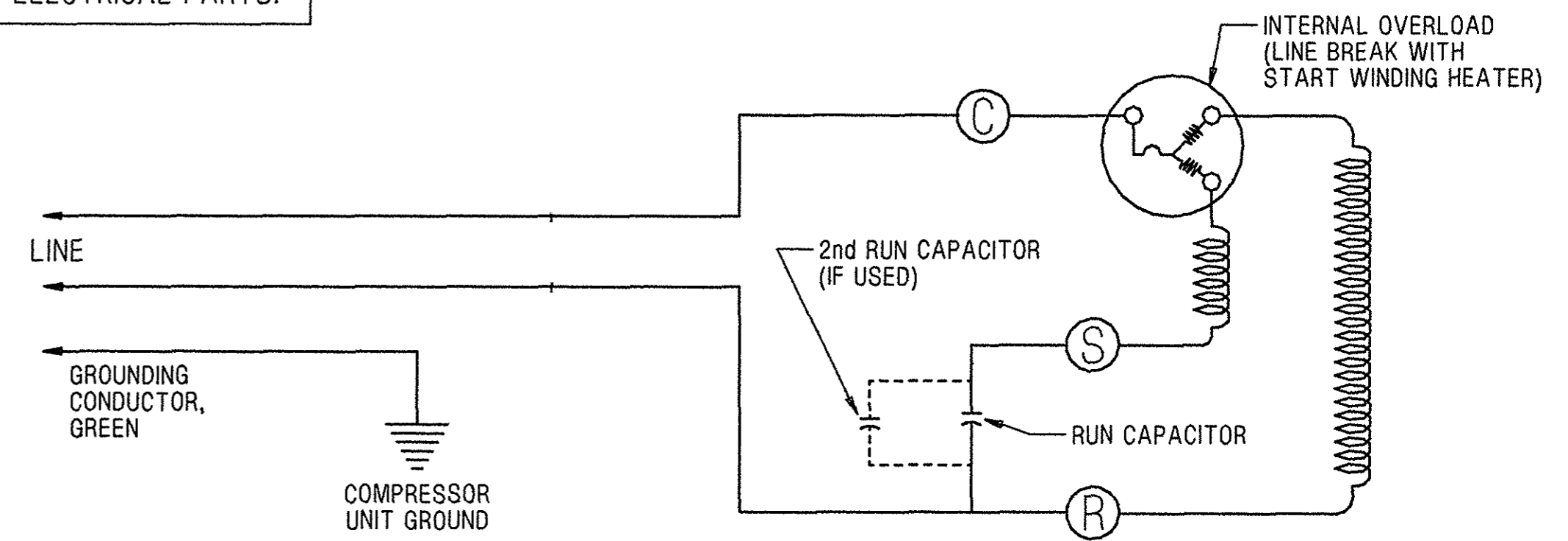
**WARNING - WIRING DIAGRAM MUST BE FOLLOWED AS SHOWN. ANY MISWIRING CAN CAUSE SERIOUS ELECTRICAL HAZARD AND POTENTIAL DAMAGE OR RUPTURE OF COMPONENT ELECTRICAL PARTS.**



- NOTES--
1. ASSEMBLE PARTS AS SHOWN IF SPECIFIED ON B/M.
  2. IF TWO CAPACITORS ARE REQUIRED HOOKUP AS SHOWN.



230 VOLT SCHEMATIC WIRING DIAGRAM-CSR OR CSR START CAPACITOR ASSIST-INTERNAL OVERLOAD (LINE BREAK)-START WINDING HEATER REF. DWG. MD472-34



230 VOLT-SCHEMATIC WIRING DIAGRAM-PSC-INTERNAL OVERLOAD (LINE BREAK)-START WINDING HEATER REF. DWG. MD472-33

AW-230 V.-PSC-INTERNAL OVERLOAD(LINE BREAK)-START WINDING HEATER  
 AW-230 V.-CSR OR CSR START CAPACITOR ASSIST-INTERNAL OVERLOAD (LINE BREAK)-START WINDING HEATER

Q.A. SYMBOLS			
AW			
DIS. CODE		NAME	
3482		ELECTRICAL HOOKUP	
SCALE		THIS PRINT SUPERSEDES ALL PRINTS PRIOR TO	
1"=1"		TECUMSEH PRODUCTS CO.	
MATERIAL		PART NO.	
INTERNAL USE ONLY		DEAW1	
UGIDISK6(SHERMAN)AW-DEAW01C8-C.PRT			