

AKA4460YXA Compressor Data Sheet

Drawing Information

Housing Diagram	Page 2	Wiring Diagram	Page 3
-----------------	--------	----------------	--------

General Information

Compressor Model	AKA4460YXA	Oil Charge (cc)	512
Bill Of Material	AK168AT-004-A2	Oil Type	POE
Application	HIGH	Heat Pump (Evap range)	N/A
Evaporating Range	+20F to +55F	Displacement	1.134
Rating Conditions	ARI	BTUH	6300
Rating Point	+45F	Horse Power	3/4
Refrigerant	R-134A	Discharge Line Size	0.25
Frequency	60	Suction Line Size	0.375

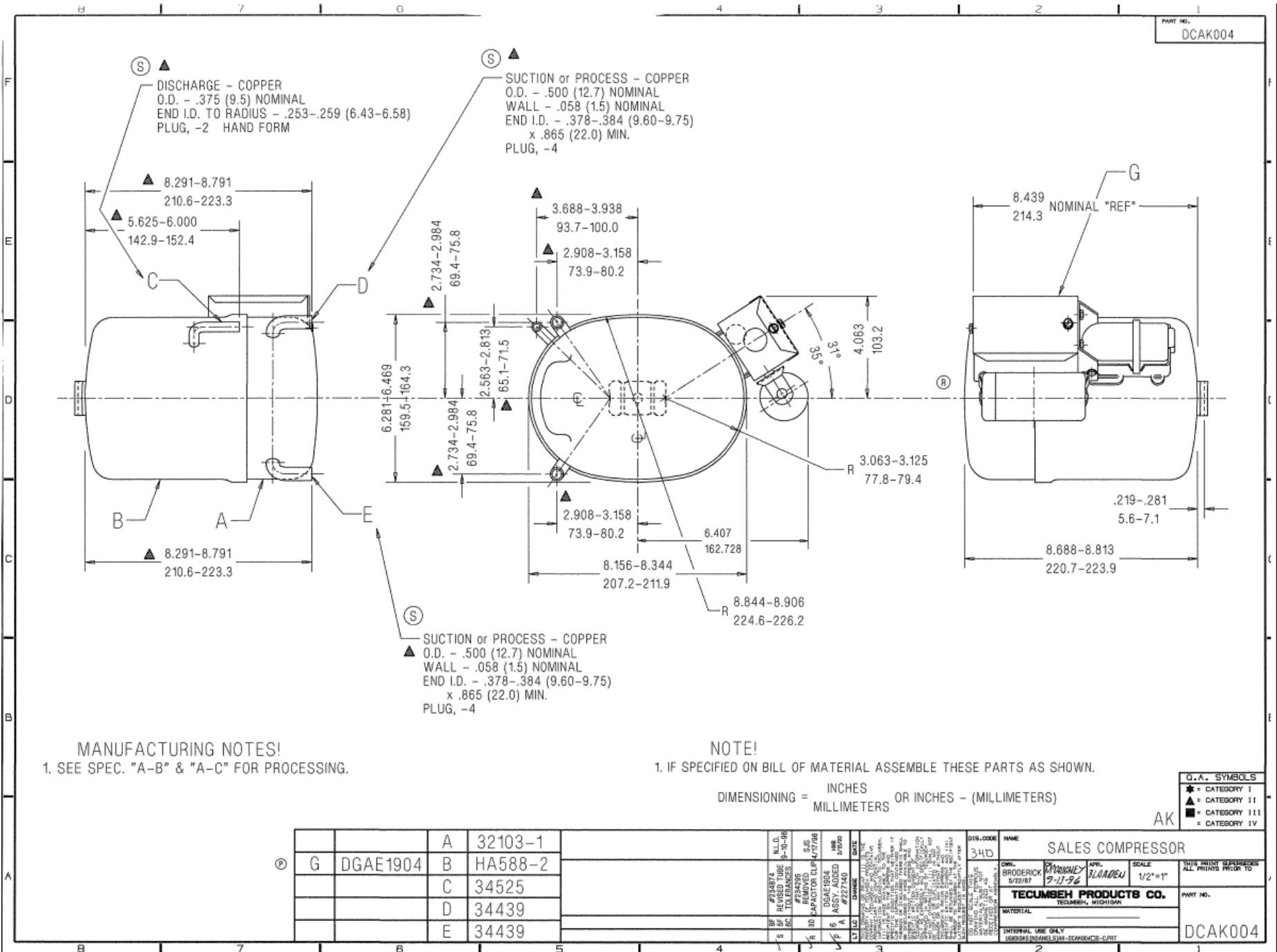
Electrical Information

Voltage (60 Hz)	115-60-1	Voltage Range (60 Hz)	103.5 - 126.5
Voltage (50 Hz)	100-50-1	Voltage Range (50 Hz)	90 - 110
Rating Voltage	115-60-1	RLA	9.5
LRA	48	Motor Type	CSIRHT
Start Capacitor Mfd/Volt	161-193/165	Run Capacitor Mfd/Volt	N/R
Power	850	Phase	1
Maximum Continuous Current	12.2	Energy Efficiency Rating	7.41

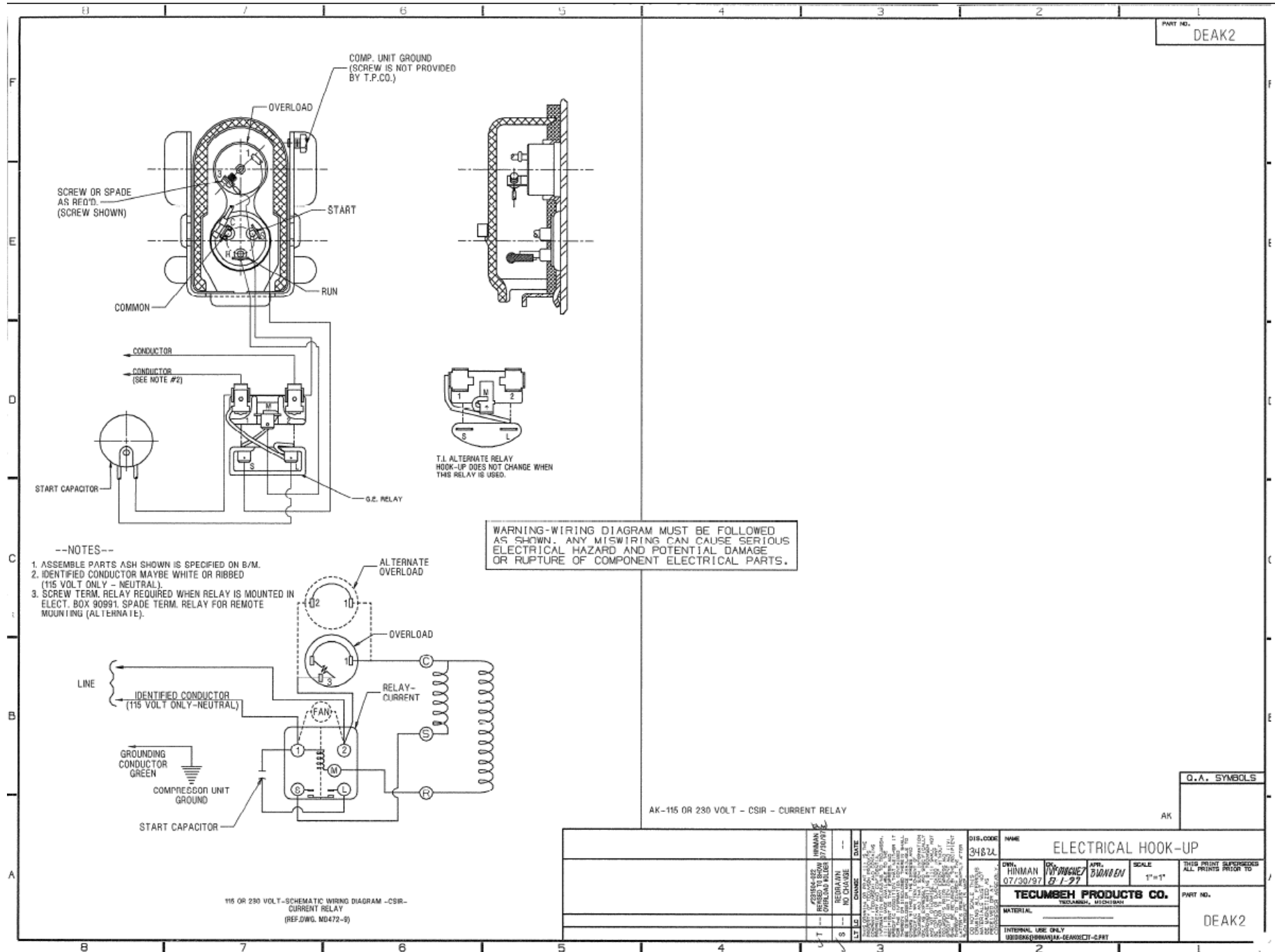
Component Information

Relay Box	NONE	Integral Relay Box	NONE
Capacitor Cabinet Assembly	NONE	Start Capacitor	NONE
Production Run Capacitor	NONE	Crankcase Heater	NONE
Primary Relay	NONE	Primary Vendor Number	NONE
Secondary Relay	NONE	Secondary Vendor Number	NONE
Vendor Over Load	NONE	Fan Over Load	NONE
Terminal Cover	NONE	Cover Gasket	NONE
Bale Strap	NONE	Over Load Spring	NONE
PRV	NONE	LP Kit	N/A
Grommet	70711	Roto Lock Gasket	NONE
Sleeve	70459	Roto Lock Valve	NONE

Housing Diagram



Wiring Diagram



PART NO. DEAK2

O.A. SYMBOLS

AK

DIS. CODE	NAME	ELECTRICAL HOOK-UP	
3482L			
DRW. DATE	BY	APP. DATE	SCALE
HINMAN 07/30/97	WYONCHET	BURDEN 8-1-97	1" = 1"
TECUMBEH PRODUCTS CO.			PART NO.
TOLAND, MICHIGAN			DEAK2
MATERIAL			
INTERNAL USE ONLY			
WIRING DIAGRAM - GEARBOX - CSIR			